

## Attachment B

# **ATTACHMENT B**

AMENDED AND RESTATED SITHE INTERCONNECTION AGREEMENT  
(SERVICE AGREEMENT NO. 1160 UNDER THE NYISO OATT)  
PROVIDED IN BLACK-LINED FORMAT

**AMENDED AND RESTATED**

**~~Appendix 6 – STANDARD LARGE GENERATOR~~ INTERCONNECTION  
AGREEMENT**

**~~(Applicable to Generating Facilities that exceed 20 MW)~~**

**BETWEEN**

**NIAGARA MOHAWK POWER CORPORATION  
D/B/A/ NATIONAL GRID**

**AND**

**SITHE / INDEPENDENCE POWER PARTNERS, L.P.**

**EXECUTION COPY**

## TABLE OF CONTENTS

Page Number

<b>ARTICLE 1. DEFINITIONS .....</b>	<b>1</b>
<b>ARTICLE 2. EFFECTIVE DATE, TERM AND TERMINATION .....</b>	<b>11</b>
2.1 Effective Date.....	11
2.2 Term of Agreement.....	11
2.3 Termination.....	11
2.4 Termination Costs.....	<del>12</del> <u>11</u>
2.5 Disconnection.....	<del>13</del> <u>12</u>
2.6 Survival.....	13
<b>ARTICLE 3. REGULATORY FILINGS .....</b>	<b>13</b>
3.1 Filing.....	13
<b>ARTICLE 4. SCOPE OF INTERCONNECTION SERVICE .....</b>	<b>13</b>
4.1 Provision of Service.....	13
4.2 No Transmission Delivery Service.....	<del>14</del> <u>13</u>
4.3 No Other Services.....	14
<b>ARTICLE 5. INTERCONNECTION FACILITIES ENGINEERING, PROCUREMENT, AND CONSTRUCTION.....</b>	<b>14</b>
5.1 Options.....	14
5.2 General Conditions Applicable to Option to Build.....	16
5.3 Liquidated Damages.....	17
5.4 Power System Stabilizers.....	18
5.5 Equipment Procurement.....	<del>19</del> <u>18</u>
5.6 Construction Commencement.....	19
5.7 Work Progress.....	<del>20</del> <u>19</u>
5.8 Information Exchange.....	20
5.9 Limited Operation.....	20
5.10 <del>Developer's</del> <u>Interconnection Customer's</u> Attachment Facilities (“ <del>DAF</del> <u>ICAF</u> ”).....	20
5.11 Connecting Transmission Owner's Attachment Facilities Construction.....	21
5.12 Access Rights.....	21
5.13 Lands of Other Property Owners.....	22
5.14 Permits.....	22
5.15 Early Construction of Base Case Facilities.....	22
5.16 Suspension.....	23
5.17 Taxes.....	23

5.18	Tax Status; Non-Jurisdictional Entities.....	<u>2328</u>
5.19	Modification.....	<u>2429</u>
ARTICLE 6. TESTING AND INSPECTION.....		<u>2530</u>
6.1	Pre-Commercial Operation Date Testing and Modifications.....	<u>2530</u>
6.2	Post-Commercial Operation Date Testing and Modifications.....	<u>2530</u>
6.3	Right to Observe Testing.....	<u>2530</u>
6.4	Right to Inspect.....	<u>2530</u>
ARTICLE 7. METERING.....		<u>2631</u>
7.1	General.....	<u>2631</u>
7.2	Check Meters.....	<u>2631</u>
7.3	Standards.....	<u>2631</u>
7.4	Testing of Metering Equipment.....	<u>2731</u>
7.5	Metering Data.....	<u>2732</u>
ARTICLE 8. COMMUNICATIONS.....		<u>2732</u>
8.1	<del>Developer</del> <u>Interconnection Customer</u> Obligations.....	<u>2732</u>
8.2	Remote Terminal Unit.....	<u>2832</u>
8.3	No Annexation.....	<u>2833</u>
ARTICLE 9. OPERATIONS.....		<u>2833</u>
9.1	General.....	<u>2833</u>
9.2	NYISO and Connecting Transmission Owner Obligations.....	<u>2833</u>
9.3	<del>Developer</del> <u>Interconnection Customer</u> Obligations.....	<u>2833</u>
9.4	Start-Up and Synchronization.....	<u>2934</u>
9.5	Real and Reactive Power Control.....	<u>2934</u>
9.6	Outages and Interruptions.....	<u>3035</u>
9.7	Switching and Tagging Rules.....	<u>3438</u>
9.8	Use of Attachment Facilities by Third Parties.....	<u>3439</u>
9.9	Disturbance Analysis Data Exchange.....	<u>3539</u>
ARTICLE 10. MAINTENANCE.....		<u>3539</u>
10.1	Connecting Transmission Owner Obligations.....	<u>3539</u>
10.2	<del>Developer</del> <u>Interconnection Customer</u> Obligations.....	<u>3540</u>
10.3	Coordination.....	<u>3540</u>
10.4	Secondary Systems.....	<u>3540</u>
10.5	Operating and Maintenance Expenses.....	<u>3640</u>
ARTICLE 11. PERFORMANCE OBLIGATION.....		<u>3640</u>

11.1	<del>Developer</del> <a href="#">Interconnection Customer</a> Attachment Facilities.....	<a href="#">3640</a>
11.2	Connecting Transmission Owner’s Attachment Facilities.....	<a href="#">3641</a>
11.3	System Upgrade Facilities and System Deliverability Upgrades.....	<a href="#">3641</a>
11.4	Special Provisions for Affected Systems.....	<a href="#">3641</a>
11.5	Provision of Security.....	<a href="#">3641</a>
11.6	<del>Developer</del> <a href="#">Interconnection Customer</a> Compensation for Emergency Services, <a href="#">3742</a>	
11.7	Line Outage Costs.....	<a href="#">3742</a>
ARTICLE 12. INVOICE .....		<a href="#">3742</a>
12.1	General.....	<a href="#">3742</a>
12.2	Final Invoice.....	<a href="#">3842</a>
12.3	Payment.....	<a href="#">3843</a>
12.4	Disputes.....	<a href="#">3843</a>
ARTICLE 13. EMERGENCIES.....		<a href="#">3843</a>
13.1	Obligations.....	<a href="#">3843</a>
13.2	Notice.....	<a href="#">3843</a>
13.3	Immediate Action.....	<a href="#">3944</a>
13.4	NYISO and Connecting Transmission Owner Authority.....	<a href="#">3944</a>
13.5	<del>Developer</del> <a href="#">Interconnection Customer</a> Authority.....	<a href="#">4045</a>
13.6	Limited Liability.....	<a href="#">4045</a>
ARTICLE 14. REGULATORY REQUIREMENTS AND GOVERNING LAW .....		<a href="#">4045</a>
14.1	Regulatory Requirements.....	<a href="#">4045</a>
14.2	Governing Law.....	<a href="#">4145</a>
ARTICLE 15. NOTICES.....		<a href="#">4146</a>
15.1	General.....	<a href="#">4146</a>
15.2	Billings and Payments.....	<a href="#">4146</a>
15.3	Alternative Forms of Notice.....	<a href="#">4146</a>
15.4	Operations and Maintenance Notice.....	<a href="#">4146</a>
ARTICLE 16. FORCE MAJEURE .....		<a href="#">4146</a>
16.1	Force Majeure.....	<a href="#">4146</a>
ARTICLE 17. DEFAULT .....		<a href="#">4247</a>
17.1	Default.....	<a href="#">4247</a>
ARTICLE 18. INDEMNITY, CONSEQUENTIAL DAMAGES AND INSURANCE .....		<a href="#">4347</a>

18.1	Indemnity_ .....	<del>43</del> <u>47</u>
18.2	No Consequential Damages_ .....	<del>44</del> <u>49</u>
18.3	Insurance_ .....	<del>44</del> <u>49</u>
ARTICLE 19. ASSIGNMENT .....		<del>46</del> <u>51</u>
19.1	Assignment_ .....	<del>46</del> <u>51</u>
ARTICLE 20. SEVERABILITY .....		<del>47</del> <u>52</u>
20.1	Severability_ .....	<del>47</del> <u>52</u>
ARTICLE 21. COMPARABILITY .....		<del>47</del> <u>52</u>
21.1	Comparability_ .....	<del>47</del> <u>52</u>
ARTICLE 22. CONFIDENTIALITY .....		<del>47</del> <u>52</u>
22.1	Confidentiality_ .....	<del>47</del> <u>52</u>
ARTICLE 23. ENVIRONMENTAL RELEASES .....		<del>51</del> <u>55</u>
23.1	<del>Developer</del> <u>Interconnection Customer</u> and Connecting Transmission Owner Notice_ <del>51</del> <u>55</u>	
ARTICLE 24. INFORMATION REQUIREMENT .....		<del>51</del> <u>56</u>
24.1	Information Acquisition_ .....	<del>51</del> <u>56</u>
24.2	Information Submission by Connecting Transmission Owner_ .....	<del>51</del> <u>56</u>
24.3	Updated Information Submission by <del>Developer</del> <u>Interconnection Customer</u> _ .....	<del>51</del> <u>56</u>
24.4	Information Supplementation_ .....	<del>52</del> <u>57</u>
ARTICLE 25. INFORMATION ACCESS AND AUDIT RIGHTS .....		<del>53</del> <u>58</u>
25.1	Information Access_ .....	<del>53</del> <u>58</u>
25.2	Reporting of Non-Force Majeure Events_ .....	<del>53</del> <u>58</u>
25.3	Audit Rights_ .....	<del>53</del> <u>58</u>
25.4	Audit Rights Periods_ .....	<del>53</del> <u>58</u>
25.5	Audit Results_ .....	<del>54</del> <u>59</u>
ARTICLE 26. SUBCONTRACTORS .....		<del>54</del> <u>59</u>
26.1	General_ .....	<del>54</del> <u>59</u>
26.2	Responsibility of Principal_ .....	<del>54</del> <u>59</u>
26.3	No Limitation by Insurance_ .....	<del>54</del> <u>59</u>

ARTICLE 27. DISPUTES .....	<a href="#">5559</a>
27.1 Submission .....	<a href="#">5559</a>
27.2 External Arbitration Procedures .....	<a href="#">5560</a>
27.3 Arbitration Decisions .....	<a href="#">5560</a>
27.4 Costs .....	<a href="#">5561</a>
27.5 Termination .....	<a href="#">5661</a>
ARTICLE 28. REPRESENTATIONS, WARRANTIES AND COVENANTS .....	<a href="#">5661</a>
28.1 General .....	<a href="#">5661</a>
ARTICLE 29. MISCELLANEOUS .....	<a href="#">5762</a>
29.1 Binding Effect .....	<a href="#">5762</a>
29.2 Conflicts .....	<a href="#">5762</a>
29.3 Rules of Interpretation .....	<a href="#">5762</a>
29.4 Compliance .....	<a href="#">5763</a>
29.5 Joint and Several Obligations .....	<a href="#">5863</a>
29.6 Entire Agreement .....	<a href="#">5863</a>
29.7 No Third Party Beneficiaries .....	<a href="#">5863</a>
29.8 Waiver .....	<a href="#">5863</a>
29.9 Headings .....	<a href="#">5864</a>
29.10 Multiple Counterparts .....	<a href="#">5864</a>
29.11 Amendment .....	<a href="#">5864</a>
29.12 Modification by the Parties .....	<a href="#">5864</a>
29.13 Reservation of Rights .....	<a href="#">5964</a>
29.14 No Partnership .....	<a href="#">5964</a>
29.15 Other Transmission Rights .....	<a href="#">5965</a>
Appendices .....	<a href="#">59</a>



**~~STANDARD~~ LARGE GENERATOR INTERCONNECTION AGREEMENT**

**THIS ~~STANDARD~~ AMENDED AND RESTATED LARGE GENERATOR INTERCONNECTION AGREEMENT** (this “Agreement”) is ~~made and~~ entered into as of this 30<sup>th</sup> day of ~~June 20, by and among~~ \_\_\_\_\_, a ~~[corporate description], 2015 (the~~ “Effective Date”), by and between Sithe/Independence Power Partners, L.P., a limited partnership organized and existing under the laws of the State/~~Commonwealth~~ of \_\_\_\_\_ Delaware (“Developer/Interconnection Customer” with a Large Generating Facility); ~~the New York Independent System Operator, Inc., a not for profit and Niagara Mohawk Power Corporation d/b/a National Grid~~ a corporation organized and existing under the laws of the State of New York (“NYISO”), and \_\_\_\_\_ a ~~[corporate description] organized and existing under the laws of the State of New York (“Connecting Transmission Owner”)~~. ~~Developer, the NYISO, Interconnection Customer~~ or Connecting Transmission Owner each may be referred to as a “Party” or collectively referred to as the “Parties.”

**RECITALS**

**WHEREAS,** the New York Independent System Operator, Inc. (“NYISO”) operates the New York State Transmission System and Connecting Transmission Owner owns certain facilities included in the New York State Transmission System; and

**WHEREAS,** ~~Developer intends to own, lease and/or control and operate~~ Interconnection Customer owns, leases and/or controls and operates the Generating Facility identified as a Large Generating Facility in Appendix C to this Agreement; and,

**WHEREAS,** Interconnection Customer and Connecting Transmission Owner are parties to that certain Interconnection Agreement dated March 9, 1992 (the “1992 Agreement”), which was later amended on July 20, 1992, and on November 17, 1992, and was amended and restated on June 29, 2001 and on May 4, 2010; the 1992 Agreement, as amended and amended and restated, shall be referred to herein as the “Original Agreement”;

**WHEREAS,** ~~Developer, NYISO, Interconnection Customer~~ and Connecting Transmission Owner ~~have agreed to enter into this~~ desire to amend and restate the Original Agreement; including, without limitation, for the purpose of ~~interconnecting~~ extending the term thereof, thus continuing the interconnection of the Large Generating Facility with the New York State Transmission System; and

**NOW, THEREFORE,** in consideration of and subject to the mutual covenants contained herein, ~~it is agreed~~ the Parties agree to amend and restate the Original Agreement in its entirety as follows:

**Article 1. ~~ARTICLE 1.~~ DEFINITIONS**

Whenever used in this Agreement with initial capitalization, the following terms shall have the meanings specified in this Article 1. Terms used in this Agreement with initial capitalization that are not defined in this Article 1 shall have the meanings specified in Section 30.1.0 of Attachment X or Section 25.1 of Attachment S of the NYISO OATT.

**Affected System** shall mean an electric system other than the transmission system owned, controlled or operated by the Connecting Transmission Owner that may be affected by the proposed interconnection.

**Affected System Operator** shall mean the entity that operates an Affected System.

**Affected Transmission Owner** shall mean the New York public utility or authority (or its designated agent) other than the Connecting Transmission Owner that (i) owns facilities used for the transmission of Energy in interstate commerce and provides Transmission Service under the Tariff, and (ii) owns, leases or otherwise possesses an interest in a portion of the New York State Transmission System where System Deliverability Upgrades or System Upgrade Facilities are installed pursuant to Attachment X and Attachment S of the Tariff.

**Affiliate** shall mean, with respect to a person or entity, any individual, corporation, partnership, firm, joint venture, association, joint-stock company, trust or unincorporated organization, directly or indirectly controlling, controlled by, or under common control with, such person or entity. The term “control” shall mean the possession, directly or indirectly, of the power to direct the management or policies of a person or an entity. A voting interest of ten percent or more shall create a rebuttable presumption of control.

**Ancillary Services** shall mean those services that are necessary to support the transmission of Capacity and Energy from resources to Loads while maintaining reliable operation of the New York State Transmission System in accordance with Good Utility Practice.

**Applicable Laws and Regulations** shall mean all duly promulgated applicable federal, state and local laws, regulations, rules, ordinances, codes, decrees, judgments, directives, or judicial or administrative orders, permits and other duly authorized actions of any Governmental Authority, including but not limited to Environmental Law.

**Applicable Reliability Councils** shall mean the NERC, the NPCC and the NYSRC.

**Applicable Reliability Standards** shall mean the requirements and guidelines of the Applicable Reliability Councils, and the Transmission District to which the ~~Developer’s~~Interconnection Customer’s Large Generating Facility is directly interconnected, as those requirements and guidelines are amended and modified and in effect from time to time; provided that no Party shall waive its right to challenge the applicability or validity of any requirement or guideline as applied to it in the context of this Agreement.

**Attachment Facilities** shall mean the Connecting Transmission Owner’s Attachment Facilities and the ~~Developer’s~~Interconnection Customer’s Attachment Facilities. Collectively, Attachment

Facilities include all facilities and equipment between the Large Generating Facility and the Point of Interconnection, including any modification, additions or upgrades that are necessary to physically and electrically interconnect the Large Generating Facility to the New York State Transmission System. Attachment Facilities are sole use facilities and shall not include Stand Alone System Upgrade Facilities, Distribution Upgrades, System Upgrade Facilities or System Deliverability Upgrades.

**Base Case** shall mean the base case power flow, short circuit, and stability data bases used for the Interconnection Studies by NYISO, Connecting Transmission Owner or ~~Developer~~[Interconnection Customer](#); described in Section 30.2.3 of the Large Facility Interconnection Procedures.

**Breach** shall mean the failure of a Party to perform or observe any material term or condition of this Agreement.

**Breaching Party** shall mean a Party that is in Breach of this Agreement.

**Business Day** shall mean Monday through Friday, excluding federal holidays.

**Byway** shall mean all transmission facilities comprising the New York State Transmission System that are neither Highways nor Other Interfaces. All transmission facilities in Zone J and Zone K are Byways.

**Calendar Day** shall mean any day including Saturday, Sunday or a federal holiday.

**Capacity Region** shall mean one of four subsets of the Installed Capacity statewide markets comprised of (1) Rest of State (i.e., Load Zones A through F); (2) Lower Hudson Valley (i.e., Load Zones G, H, and I); (3) New York City (i.e., Load Zone J); and (4) Long Island (i.e., Load Zone K), except for Class Year Interconnection Facility Studies conducted prior to Class Year 2012, for which “Capacity Region” shall be defined as set forth in Section 25.7.3 of Attachment S to the NYISO OATT.

**Capacity Resource Interconnection Service (“CRIS”)** shall mean the service provided by NYISO to interconnect the ~~Developer’s~~ [Interconnection Customer’s](#) Large Generating Facility to the New York State Transmission System or to the Distribution System in accordance with the NYISO Deliverability Interconnection Standard, to enable the New York State Transmission System to deliver electric capacity from the Large Generating Facility, pursuant to the terms of the NYISO OATT.

**Class Year Deliverability Study** shall mean an assessment, conducted by the NYISO staff in cooperation with Market Participants, to determine the System Deliverability Upgrades required for each generation and merchant transmission project included in the Class Year Interconnection Facilities Study to interconnect to the New York State Transmission System or to the Distribution System in compliance with the NYISO Deliverability Interconnection Standard.

**Clustering** shall mean the process whereby a group of Interconnection Requests is studied together, instead of serially, for the purpose of conducting the Interconnection System Reliability Impact Study.

**Commercial Operation** shall mean the status of a Large Generating Facility that has commenced generating electricity for sale, excluding electricity generated during Trial Operation.

**Commercial Operation Date** of a unit shall mean the date on which the Large Generating Facility commences Commercial Operation as agreed to by the Parties pursuant to Appendix E to this Agreement.

**Confidential Information** shall mean any information that is defined as confidential by Article 22 of this Agreement.

**Connecting Transmission Owner** shall mean the New York public utility or authority (or its designated agent) that (i) owns facilities used for the transmission of Energy in interstate commerce and provides Transmission Service under the Tariff, (ii) owns, leases or otherwise possesses an interest in the portion of the New York State Transmission System or Distribution System at the Point of Interconnection, and (iii) is a Party to ~~the Standard Large Interconnection~~[this](#) Agreement.

**Connecting Transmission Owner's Attachment Facilities** shall mean all facilities and equipment owned, controlled or operated by the Connecting Transmission Owner from the Point of Change of Ownership to the Point of Interconnection as identified in Appendix A to ~~the Standard Large Generator Interconnection~~[this](#) Agreement, including any modifications, additions or upgrades to such facilities and equipment. Connecting Transmission Owner's Attachment Facilities are sole use facilities and shall not include Stand Alone System Upgrade Facilities or System Upgrade Facilities.

**Control Area** shall mean an electric power system or combination of electric power systems to which a common automatic generation control scheme is applied in order to: (1) match, at all times, the power output of the Generators within the electric power system(s) and capacity and energy purchased from entities outside the electric power system(s), with the Load within the electric power system(s); (2) maintain scheduled interchange with other Control Areas, within the limits of Good Utility Practice; (3) maintain the frequency of the electric power system(s) within reasonable limits in accordance with Good Utility Practice; and (4) provide sufficient generating capacity to maintain Operating Reserves in accordance with Good Utility Practice. A Control Area must be certified by the NPCC.

**Default** shall mean the failure of a Party in Breach of this Agreement to cure such Breach in accordance with Article 17 of this Agreement.

**Deliverability Interconnection Standard** shall mean the standard that must be met by any Large Generating Facility proposing to interconnect to the New York State Transmission System or to the Distribution System and become a qualified Installed Capacity Supplier. To meet the NYISO Deliverability Interconnection Standard, the ~~Developer~~[Interconnection Customer](#) of the

proposed Large Generating Facility must, in accordance with the rules in Attachment S to the NYISO OATT, fund or commit to fund the System Deliverability Upgrades identified for its project in the Class Year Deliverability Study.

~~**Developer** shall mean an Eligible Customer developing a Large Generating Facility, proposing to connect to the New York State Transmission System, in compliance with the NYISO Minimum Interconnection Standard.~~

~~**Developer's Attachment Facilities** shall mean all facilities and equipment, as identified in Appendix A of this Agreement, that are located between the Large Generating Facility and the Point of Change of Ownership, including any modification, addition, or upgrades to such facilities and equipment necessary to physically and electrically interconnect the Large Generating Facility to the New York State Transmission System. Developer's Attachment Facilities are sole use facilities.~~

**Dispute Resolution** shall mean the procedure described in Article 27 of this Agreement for resolution of a dispute between the Parties.

**Distribution System** shall mean the Transmission Owner's facilities and equipment used to distribute electricity that are subject to FERC jurisdiction, and are subject to the NYISO's LFIP or SGIP under FERC Order Nos. 2003 and/or 2006. The term Distribution System shall not include LIPA's distribution facilities.

**Distribution Upgrades** shall mean the additions, modifications, and upgrades to the Connecting Transmission Owner's Distribution System at or beyond the Point of Interconnection to facilitate interconnection of a Large Facility or Small Generating Facility and render the transmission service necessary to affect the ~~Developer's~~ Interconnection Customer's wholesale sale of electricity in interstate commerce. Distribution Upgrades do not include Interconnection Facilities, System Upgrade Facilities, or System Deliverability Upgrades. Distribution Upgrades are sole use facilities and shall not include Stand Alone System Upgrade Facilities, System Upgrade Facilities, or System Deliverability Upgrades.

**Effective Date** shall mean the date on which this Agreement becomes effective upon execution by the Parties, subject to acceptance by the Commission, or if filed unexecuted, upon the date specified by the Commission.

**Emergency State** shall mean the condition or state that the New York State Power System is in when an abnormal condition occurs that requires automatic or immediate manual action to prevent or limit loss of the New York State Transmission System or Generators that could adversely affect the reliability of the New York State Power System.

**Energy Resource Interconnection Service ("ERIS")** shall mean the service provided by NYISO to interconnect the ~~Developer's~~ Interconnection Customer's Large Generating Facility to the New York State Transmission System or to the Distribution System in accordance with the NYISO Minimum Interconnection Standard, to enable the New York State Transmission System to receive Energy and Ancillary Services from the Large Generating Facility, pursuant to the terms of the NYISO OATT.

**Engineering & Procurement (E&P) Agreement** shall mean an agreement that authorizes Connecting Transmission Owner to begin engineering and procurement of long lead-time items necessary for the establishment of the interconnection in order to advance the implementation of the Interconnection Request.

**Environmental Law** shall mean Applicable Laws or Regulations relating to pollution or protection of the environment or natural resources.

**Federal Power Act** shall mean the Federal Power Act, as amended, 16 U.S.C. §§ 791a *et seq.* (“FPA”).

**FERC** shall mean the Federal Energy Regulatory Commission (“Commission”) or its successor.

**Force Majeure** shall mean any act of God, labor disturbance, act of the public enemy, war, insurrection, riot, fire, storm or flood, explosion, breakage or accident to machinery or equipment, any order, regulation or restriction imposed by governmental, military or lawfully established civilian authorities, or any other cause beyond a Party’s control. A Force Majeure event does not include acts of negligence or intentional wrongdoing by the Party claiming Force Majeure.

**Generating Facility** shall mean ~~Developer’s~~ Interconnection Customer’s device for the production of electricity identified in the Interconnection Request, but shall not include the ~~Developer’s~~ Interconnection Customer’s Attachment Facilities or Distribution Upgrades.

**Generating Facility Capacity** shall mean the net seasonal capacity of the Generating Facility and the aggregate net seasonal capacity of the Generating Facility where it includes multiple energy production devices.

**Good Utility Practice** shall mean any of the practices, methods and acts engaged in or approved by a significant portion of the electric industry during the relevant time period, or any of the practices, methods and acts which, in the exercise of reasonable judgment in light of the facts known at the time the decision was made, could have been expected to accomplish the desired result at a reasonable cost consistent with good business practices, reliability, safety and expedition. Good Utility Practice is not intended to be limited to the optimum practice, method, or act to the exclusion of all others, but rather to delineate acceptable practices, methods, or acts generally accepted in the region.

**Governmental Authority** shall mean any federal, state, local or other governmental regulatory or administrative agency, court, commission, department, board, or other governmental subdivision, legislature, rulemaking board, tribunal, or other governmental authority having jurisdiction over any of the Parties, their respective facilities, or the respective services they provide, and exercising or entitled to exercise any administrative, executive, police, or taxing authority or power; provided, however, that such term does not include

~~Developer~~ Interconnection Customer, NYISO, Affected Transmission Owner, Connecting Transmission Owner, or any Affiliate thereof.



**Hazardous Substances** shall mean any chemicals, materials or substances defined as or included in the definition of “hazardous substances,” “hazardous wastes,” “hazardous materials,” “hazardous constituents,” “restricted hazardous materials,” “extremely hazardous substances,” “toxic substances,” “radioactive substances,” “contaminants,” “pollutants,” “toxic pollutants” or words of similar meaning and regulatory effect under any applicable Environmental Law, or any other chemical, material or substance, exposure to which is prohibited, limited or regulated by any applicable Environmental Law.

**Highway** shall mean 115 kV and higher transmission facilities that comprise the following NYCA interfaces: Dysinger East, West Central, Volney East, Moses South, Central East/Total East, and UPNY-ConEd, and their immediately connected, in series, Bulk Power System facilities in New York State. Each interface shall be evaluated to determine additional “in series” facilities, defined as any transmission facility higher than 115 kV that (a) is located in an upstream or downstream zone adjacent to the interface and (b) has a power transfer distribution factor (DFAX) equal to or greater than five percent when the aggregate of generation in zones or systems adjacent to the upstream zone or zones which define the interface is shifted to the aggregate of generation in zones or systems adjacent to the downstream zone or zones which define the interface. In determining “in series” facilities for Dysinger East and West Central interfaces, the 115 kV and 230 kV tie lines between NYCA and PJM located in LBMP Zones A and B shall not participate in the transfer. Highway transmission facilities are listed in ISO Procedures.

**Initial Synchronization Date** shall mean the date upon which the Large Generating Facility is initially synchronized and upon which Trial Operation begins.

**In-Service Date** shall mean the date upon which the ~~Developer~~[Interconnection Customer](#) reasonably expects it will be ready to begin use of the Connecting Transmission Owner’s Attachment Facilities to obtain back feed power.

[Interconnection Customer](#) shall mean an Eligible Customer developing a Large Generating Facility, proposing to connect to the New York State Transmission System, in compliance with the NYISO Minimum Interconnection Standard.

[Interconnection Customer’s Attachment Facilities](#) shall mean all facilities and equipment, as identified in Appendix A of this Agreement, that are located between the Large Generating Facility and the Point of Change of Ownership, including any modification, addition, or upgrades to such facilities and equipment necessary to physically and electrically interconnect the Large Generating Facility to the New York State Transmission System. [Interconnection Customer’s Attachment Facilities](#) are sole use facilities.

**Interconnection Facilities Study** shall mean a study conducted by NYISO or a third party consultant for the ~~Developer~~[Interconnection Customer](#) to determine a list of facilities (including Connecting Transmission Owner’s Attachment Facilities, Distribution Upgrades, System Upgrade Facilities and System Deliverability Upgrades as identified in the Interconnection System Reliability Impact Study), the cost of those facilities, and the time required to interconnect the Large Generating Facility with the New York State Transmission System or

with the Distribution System. The scope of the study is defined in Section 30.8 of the Standard Large Facility Interconnection Procedures.

**Interconnection Facilities Study Agreement** shall mean the form of agreement contained in Appendix 4 of the Standard Large Facility Interconnection Procedures for conducting the Interconnection Facilities Study.

**Interconnection Feasibility Study** shall mean a preliminary evaluation of the system impact and cost of interconnecting the Large Generating Facility to the New York State Transmission System or to the Distribution System, the scope of which is described in Section 30.6 of the Standard Large Facility Interconnection Procedures.

**Interconnection Feasibility Study Agreement** shall mean the form of agreement contained in Appendix 2 of the Standard Large Facility Interconnection Procedures for conducting the Interconnection Feasibility Study.

**Interconnection Request** shall mean ~~a Developer's~~ [an Interconnection Customer's](#) request, in the form of Appendix 1 to the Standard Large Facility Interconnection Procedures, in accordance with the Tariff, to interconnect a new Large Generating Facility to the New York State Transmission System or to the Distribution System, or to materially increase the capacity of, or make a material modification to the operating characteristics of, an existing Large Generating Facility that is interconnected with the New York State Transmission System or with the Distribution System.

**Interconnection Study** shall mean any of the following studies: the Interconnection Feasibility Study, the Interconnection System Reliability Impact Study, and the Interconnection Facilities Study described in the Standard Large Facility Interconnection Procedures.

**Interconnection System Reliability Impact Study ("SRIS")** shall mean an engineering study, conducted in accordance with Section 30.7 of the Large Facility Interconnection Procedures, that evaluates the impact of the proposed Large Generating Facility on the safety and reliability of the New York State Transmission System and, if applicable, an Affected System, to determine what Attachment Facilities, Distribution Upgrades and System Upgrade Facilities are needed for the proposed Large Generation Facility of the ~~Developer~~ [Interconnection Customer](#) to connect reliably to the New York State Transmission System or to the Distribution System in a manner that meets the NYISO Minimum Interconnection Standard.

**Interconnection System Reliability Impact Study Agreement** shall mean the form of agreement contained in Appendix 3 of the Standard Large Facility Interconnection Procedures for conducting the Interconnection System Reliability Impact Study.

**IRS** shall mean the Internal Revenue Service.

**Large Generating Facility** shall mean a Generating Facility having a Generating Facility Capacity of more than 20 MW.

**[Large Generator Interconnection Agreement \("LGIA"\) shall mean this Agreement.](#)**



**Loss** shall mean any and all losses relating to injury to or death of any person or damage to property, demand, suits, recoveries, costs and expenses, court costs, attorney fees, and all other obligations by or to third parties, arising out of or resulting from the Indemnified Party's performance or non-performance of its obligations under this Agreement on behalf of the Indemnifying Party, except in cases of gross negligence or intentional wrongdoing by the Indemnified Party.

**Material Modification** shall mean those modifications that have a material impact on the cost or timing of any Interconnection Request with a later queue priority date.

**Metering Equipment** shall mean all metering equipment installed or to be installed at the Large Generating Facility pursuant to this Agreement at the metering points, including but not limited to instrument transformers, MWh-meters, data acquisition equipment, transducers, remote terminal unit, communications equipment, phone lines, and fiber optics.

**Minimum Interconnection Standard** shall mean the reliability standard that must be met by any Large Generating Facility proposing to connect to the New York State Transmission System or to the Distribution System. The Standard is designed to ensure reliable access by the proposed project to the New York State Transmission System. The Standard does not impose any deliverability test or deliverability requirement on the proposed interconnection.

**NERC** shall mean the North American Electric Reliability Council or its successor organization.

**New York State Transmission System** shall mean the entire New York State electric transmission system, which includes (i) the Transmission Facilities under ISO Operational Control; (ii) the Transmission Facilities Requiring ISO Notification; and (iii) all remaining transmission facilities within the New York Control Area.

**Notice of Dispute** shall mean a written notice of a dispute or claim that arises out of or in connection with this Agreement or its performance.

**NPCC** shall mean the Northeast Power Coordinating Council or its successor organization.

**NYSRC** shall mean the New York State Reliability Council or its successor organization.

**Optional Interconnection Study** shall mean a sensitivity analysis based on assumptions specified by the ~~Developer~~[Interconnection Customer](#) in the Optional Interconnection Study Agreement.

**Optional Interconnection Study Agreement** shall mean the form of agreement contained in Appendix 5 of the Standard Large Facility Interconnection Procedures for conducting the Optional Interconnection Study.

**Other Interfaces** shall mean the following interfaces into Capacity Regions: Lower Hudson Valley [i.e., Rest of State (Load Zones A-F) to Lower Hudson Valley (Load Zones G, H and I)]; New York City [i.e., Lower Hudson Valley (Load Zones G, H and I) to New York City (Load Zone J)]; and Long Island [i.e., Lower Hudson Valley (Load Zones G, H and I) to Long Island (Load Zone K)], and the following Interfaces between the NYCA and adjacent Control Areas:

PJM to NYISO, ISO-NE to NYISO, Hydro-Quebec to NYISO, and Norwalk Harbor (Connecticut) to Northport (Long Island) Cable.

**Party or Parties** shall mean ~~NYISO~~, Connecting Transmission Owner; or ~~Developer~~Interconnection Customer or any combination of the above.

**Point of Change of Ownership** shall mean the point, as set forth in Appendix A to this Agreement, where the ~~Developer's~~Interconnection Customer's Attachment Facilities connect to the Connecting Transmission Owner's Attachment Facilities.

**Point of Interconnection** shall mean the point, as set forth in Appendix A to this Agreement, where the Attachment Facilities connect to the New York State Transmission System or to the Distribution System.

**Queue Position** shall mean the order of a valid Interconnection Request, relative to all other pending valid Interconnection Requests, that is established based upon the date and time of receipt of the valid Interconnection Request by NYISO.

**Reasonable Efforts** shall mean, with respect to an action required to be attempted or taken by a Party under this Agreement, efforts that are timely and consistent with Good Utility Practice and are otherwise substantially equivalent to those a Party would use to protect its own interests.

**Scoping Meeting** shall mean the meeting between representatives of the ~~Developer~~Interconnection Customer, NYISO and Connecting Transmission Owner conducted for the purpose of discussing alternative interconnection options, to exchange information including any transmission data and earlier study evaluations that would be reasonably expected to impact such interconnection options, to analyze such information, and to determine the potential feasible Points of Interconnection.

**Services Tariff** shall mean the NYISO Market Administration and Control Area Tariff, as filed with the Commission, and as amended or supplemented from time to time, or any successor tariff thereto.

**Site Control** shall mean documentation reasonably demonstrating: (1) ownership of, a leasehold interest in, or a right to develop a site for the purpose of constructing the Large Generating Facility; (2) an option to purchase or acquire a leasehold site for such purpose; or (3) an exclusivity or other business relationship between ~~Developer~~Interconnection Customer and the entity having the right to sell, lease or grant ~~Developer~~Interconnection Customer the right to possess or occupy a site for such purpose.

**Stand Alone System Upgrade Facilities** shall mean System Upgrade Facilities that a ~~Developer~~Interconnection Customer may construct without affecting day-to-day operations of the New York State Transmission System during their construction. ~~NYISO, the~~ Connecting Transmission Owner and the ~~Developer~~Interconnection Customer must agree as to what constitutes Stand Alone System Upgrade Facilities and identify them in Appendix A to this Agreement.

**Standard Large Facility Interconnection Procedures (“LFIP”)** shall mean the interconnection procedures applicable to an Interconnection Request pertaining to a Large Generating Facility that are included in Attachment X of the NYISO OATT.

~~**Standard Large Generator Interconnection Agreement (“LGIA”)** shall mean this Agreement, the form of interconnection agreement applicable to an Interconnection Request pertaining to a Large Generating Facility, that is included in Attachment X of the NYISO OATT.~~

**System Deliverability Upgrades** shall mean the least costly configuration of commercially available components of electrical equipment that can be used, consistent with Good Utility Practice and Applicable Reliability Requirements, to make the modifications or additions to Byways and Highways and Other Interfaces on the existing New York State Transmission System and Distribution System that are required for the proposed project to connect reliably to the system in a manner that meets the NYISO Deliverability Interconnection Standard at the requested level of Capacity Resource Interconnection Service.

**System Protection Facilities** shall mean the equipment, including necessary protection signal communications equipment, required to (1) protect the New York State Transmission System from faults or other electrical disturbances occurring at the Large Generating Facility and (2) protect the Large Generating Facility from faults or other electrical system disturbances occurring on the New York State Transmission System or on other delivery systems or other generating systems to which the New York State Transmission System is directly connected.

**System Upgrade Facilities** shall mean the least costly configuration of commercially available components of electrical equipment that can be used, consistent with Good Utility Practice and Applicable Reliability Requirements, to make the modifications to the existing transmission system that are required to maintain system reliability due to: (i) changes in the system, including such changes as load growth and changes in load pattern, to be addressed in the form of generic generation or transmission projects; and (ii) proposed interconnections. In the case of proposed interconnection projects, System Upgrade Facilities are the modifications or additions to the existing New York State Transmission System that are required for the proposed project to connect reliably to the system in a manner that meets the NYISO Minimum Interconnection Standard.

**Tariff** shall mean the NYISO Open Access Transmission Tariff (“OATT”), as filed with the Commission, and as amended or supplemented from time to time, or any successor tariff.

**Trial Operation** shall mean the period during which ~~Developer~~Interconnection Customer is engaged in on-site test operations and commissioning of the Large Generating Facility prior to Commercial Operation.

## Article 2. ~~ARTICLE 2.~~ EFFECTIVE DATE, TERM AND TERMINATION

### 2.1 ~~2.1~~ Effective Date.

This Agreement shall become effective ~~upon execution by~~ as of the Parties Effective Date, subject to acceptance by FERC, or if filed unexecuted, upon the date specified by FERC. ~~The NYISO and~~ Connecting Transmission Owner shall promptly file this Agreement with FERC upon execution in accordance with Article 3.1.

### 2.2 ~~2.2~~ Term of Agreement.

Subject to the provisions of Article 2.3, this Agreement shall remain in effect for a period of ten (10) years from the Effective Date ~~or such other longer period as the Developer may request (Term to be Specified in Individual Agreements)~~ and shall be automatically renewed for each successive one-year period thereafter.

### 2.3 ~~2.3~~ Termination.

#### 2.3.1 ~~2.3.1~~ Written Notice.

This Agreement may be terminated by the ~~Developer~~ Interconnection Customer after giving the ~~NYISO and~~ Connecting Transmission Owner ninety (90) Calendar Days advance written notice, or by the ~~NYISO and~~ Connecting Transmission Owner notifying FERC after the Large Generating Facility permanently ceases Commercial Operations.

#### 2.3.2 ~~2.3.2~~ Default.

Any Party may terminate this Agreement in accordance with Article 17.

#### 2.3.3 ~~2.3.3~~ Compliance.

Notwithstanding Articles 2.3.1 and 2.3.2, no termination of this Agreement shall become effective until the Parties have complied with all Applicable Laws and Regulations applicable to such termination, including the filing with FERC of a notice of termination of this Agreement, which notice has been accepted for filing by FERC.

### 2.4 ~~2.4~~ Termination Costs.

If a Party elects to terminate this Agreement pursuant to Article 2.3.1 above, the terminating Party shall pay all costs incurred (including any cancellation costs relating to orders or contracts for Attachment Facilities and equipment) or charges assessed by the other ~~Parties~~ Party, as of the date of the other ~~Parties~~ Party's receipt of such notice of termination, that ~~are~~ is the responsibility of the terminating Party under this Agreement. In the event of termination by a Party, ~~all~~ both Parties shall use commercially Reasonable Efforts to mitigate the costs, damages and charges arising as a consequence of termination. Upon termination of this Agreement, unless otherwise ordered or approved by FERC:

~~2.4.1~~ ~~2.4.1~~—With respect to any portion of the Connecting Transmission Owner’s Attachment Facilities that have not yet been constructed or installed, the Connecting Transmission Owner shall to the extent possible and with ~~Developer’s~~Interconnection Customer’s authorization cancel any pending orders of, or return, any materials or equipment for, or contracts for construction of, such facilities; provided that in the event ~~Developer~~Interconnection Customer elects not to authorize such cancellation, ~~Developer~~Interconnection Customer shall assume all payment obligations with respect to such materials, equipment, and contracts, and the Connecting Transmission Owner shall deliver such material and equipment, and, if necessary, assign such contracts, to ~~Developer~~Interconnection Customer as soon as practicable, at ~~Developer’s~~Interconnection Customer’s expense. To the extent that ~~Developer~~Interconnection Customer has already paid Connecting Transmission Owner for any or all such costs of materials or equipment not taken by ~~Developer~~Interconnection Customer, Connecting Transmission Owner shall promptly refund such amounts to ~~Developer~~Interconnection Customer, less any costs, including penalties incurred by the Connecting Transmission Owner to cancel any pending orders of or return such materials, equipment, or contracts.

If ~~Developer~~Interconnection Customer terminates this Agreement, it shall be responsible for all costs incurred in association with ~~Developer’s~~Interconnection Customer’s interconnection, including any cancellation costs relating to orders or contracts for Attachment Facilities and equipment, and other expenses including any System Upgrade Facilities and System Deliverability Upgrades for which the Connecting Transmission Owner has incurred expenses and has not been reimbursed by the ~~Developer~~Interconnection Customer.

~~2.4.2~~ ~~2.4.2~~—Connecting Transmission Owner may, at its option, retain any portion of such materials, equipment, or facilities that ~~Developer~~Interconnection Customer chooses not to accept delivery of, in which case Connecting Transmission Owner shall be responsible for all costs associated with procuring such materials, equipment, or facilities.

~~2.4.3~~ ~~2.4.3~~—With respect to any portion of the Attachment Facilities, and any other facilities already installed or constructed pursuant to the terms of this Agreement, ~~Developer~~Interconnection Customer shall be responsible for all costs associated with the removal, relocation or other disposition or retirement of such materials, equipment, or facilities.

## ~~2.5~~ ~~2.5~~ **Disconnection.**

Upon termination of this Agreement, ~~Developer~~Interconnection Customer and Connecting Transmission Owner will take all appropriate steps to disconnect the ~~Developer’s~~Interconnection Customer’s Large Generating Facility from the New York State Transmission System. All costs required to effectuate such disconnection shall be borne by the terminating Party, unless such termination resulted from the non-terminating Party’s Default of this Agreement or such non-terminating Party otherwise is responsible for these costs under this Agreement.

2.6 ~~2.6~~ **Survival.**

This Agreement shall continue in effect after termination to the extent necessary to provide for final billings and payments and for costs incurred hereunder; including billings and payments pursuant to this Agreement; to permit the determination and enforcement of liability and indemnification obligations arising from acts or events that occurred while this Agreement was in effect; and to permit ~~Developer~~Interconnection Customer and Connecting Transmission Owner each to have access to the lands of the other pursuant to this Agreement or other applicable agreements, to disconnect, remove or salvage its own facilities and equipment.

Article 3. ~~ARTICLE 3.~~ **REGULATORY FILINGS**

3.1 ~~3.1~~ **Filing.**

~~NYISO and~~ Connecting Transmission Owner shall file this Agreement (and any amendment hereto) with the appropriate Governmental Authority, if required. Any information related to studies for interconnection asserted by ~~Developer~~Interconnection Customer to contain Confidential Information shall be treated in accordance with Article 22 of this Agreement and Attachment F to the NYISO OATT. If the ~~Developer~~Interconnection Customer has executed this Agreement, or any amendment thereto, the ~~Developer~~Interconnection Customer shall reasonably cooperate with ~~NYISO and~~ Connecting Transmission Owner with respect to such filing and to provide any information reasonably requested by ~~NYISO and~~ Connecting Transmission Owner needed to comply with Applicable Laws and Regulations.

Article 4. ~~ARTICLE 4.~~ **SCOPE OF INTERCONNECTION SERVICE**

4.1 ~~4.1~~ **Provision of Service.**

The Parties understand that the NYISO will provide ~~Developer~~Interconnection Customer with interconnection service of the following type for the term of this Agreement.

4.1.1 ~~4.1.1~~ **Product.**

The Parties understand that the NYISO will provide [~~\_\_\_\_\_~~  
~~\_\_\_\_\_~~]Capacity Resource Interconnection Service and Energy Resource Interconnection Service to ~~Developer~~Interconnection Customer at the Point of Interconnection, with Capacity Resource Interconnection Service subject to the provisions set forth in Appendix C-II.

4.1.2 — ~~4.1.2~~ ~~Developer~~ Interconnection Customer is responsible for ensuring that its actual Large Generating Facility output matches the scheduled delivery from the Large Generating Facility to the New York State Transmission System, consistent with the scheduling requirements of the NYISO’s FERC-approved market structure, including ramping into and out of such scheduled delivery, as measured at the Point of Interconnection, consistent with the scheduling requirements of the NYISO OATT and any applicable FERC-approved market structure.

4.2 ~~4.2~~ **No Transmission Delivery Service.**

The execution of this Agreement does not constitute a request for, nor agreement to provide, any Transmission Service under the NYISO OATT, and does not convey any right to deliver electricity to any specific customer or Point of Delivery. If ~~Developer~~ Interconnection Customer wishes to obtain Transmission Service on the New York State Transmission System, then ~~Developer~~ Interconnection Customer must request such Transmission Service in accordance with the provisions of the NYISO OATT.

4.3 ~~4.3~~ **No Other Services.**

The execution of this Agreement does not constitute a request for, nor agreement to provide Energy, any Ancillary Services or Installed Capacity under the NYISO Market Administration and Control Area Services Tariff (“Services Tariff”). If ~~Developer~~ Interconnection Customer wishes to supply Energy, Installed Capacity or Ancillary Services, then ~~Developer~~ Interconnection Customer will make application to do so in accordance with the NYISO Services Tariff.

Article 5. ~~ARTICLE 5.~~ **Interconnection Facilities Engineering, Procurement, And Construction**

5.1 ~~5.1~~ **Options.**

Unless otherwise mutually agreed to by ~~Developer~~ Interconnection Customer and Connecting Transmission Owner, ~~Developer~~ Interconnection Customer shall select the In-Service Date, Initial Synchronization Date, and Commercial Operation Date; and either Standard Option or Alternate Option set forth below for completion of the Connecting Transmission Owner’s Attachment Facilities and System Upgrade Facilities and System Deliverability Upgrades as set forth in Appendix A hereto, and such dates and selected option shall be set forth in Appendix B hereto.

5.1.1 — ~~5.1.1~~ **Standard Option.**

The Connecting Transmission Owner shall design, procure, and construct the Connecting Transmission Owner’s Attachment Facilities and System Upgrade Facilities and System Deliverability Upgrades, using Reasonable Efforts to complete the Connecting Transmission Owner’s Attachment Facilities and System Upgrade Facilities and System Deliverability Upgrades by the dates set forth in Appendix B hereto. The Connecting Transmission Owner shall not be required to undertake any action which is inconsistent with its standard safety



practices, its material and equipment specifications, its design criteria and construction procedures, its labor agreements, and Applicable Laws and Regulations. In the event the Connecting Transmission Owner reasonably expects that it will not be able to complete the Connecting Transmission Owner's Attachment Facilities and System Upgrade Facilities and System Deliverability Upgrades by the specified dates, the Connecting Transmission Owner shall promptly provide written notice to the ~~Developer~~Interconnection Customer and NYISO, and shall undertake Reasonable Efforts to meet the earliest dates thereafter.

### 5.1.2 — ~~5.1.2~~ **Alternate Option.**

If the dates designated by ~~Developer~~Interconnection Customer are acceptable to Connecting Transmission Owner, the Connecting Transmission Owner shall so notify ~~Developer~~Interconnection Customer and NYISO within thirty (30) Calendar Days, and shall assume responsibility for the design, procurement and construction of the Connecting Transmission Owner's Attachment Facilities by the designated dates. If Connecting Transmission Owner subsequently fails to complete Connecting Transmission Owner's Attachment Facilities by the In-Service Date, to the extent necessary to provide back feed power; or fails to complete System Upgrade Facilities or System Deliverability Upgrades by the Initial Synchronization Date to the extent necessary to allow for Trial Operation at full power output, unless other arrangements are made by the ~~Developer~~Interconnection Customer and Connecting Transmission Owner for such Trial Operation; or fails to complete the System Upgrade Facilities and System Deliverability Upgrades by the Commercial Operation Date, as such dates are reflected in Appendix B hereto; Connecting Transmission Owner shall pay ~~Developer~~Interconnection Customer liquidated damages in accordance with Article 5.3, Liquidated Damages, provided, however, the dates designated by ~~Developer~~Interconnection Customer shall be extended day for day for each day that NYISO refuses to grant clearances to install equipment.

### 5.1.3 — ~~5.1.3~~ **Option to Build.**

If the dates designated by ~~Developer~~Interconnection Customer are not acceptable to Connecting Transmission Owner, the Connecting Transmission Owner shall so notify the ~~Developer~~Interconnection Customer and NYISO within thirty (30) Calendar Days, and unless the ~~Developer~~Interconnection Customer and Connecting Transmission Owner agree otherwise, ~~Developer~~Interconnection Customer shall have the option to assume responsibility for the design, procurement and construction of Connecting Transmission Owner's Attachment Facilities and Stand Alone System Upgrade Facilities on the dates specified in Article 5.1.2; provided that if an Attachment Facility or Stand Alone System Upgrade Facility is needed for more than one ~~Developer's~~Interconnection Customer's project, ~~Developer's~~Interconnection Customer's option to build such Facility shall be contingent on the agreement of all other affected ~~Developers. NYISO, Interconnection Customers.~~ Connecting Transmission Owner and ~~Developer~~Interconnection Customer must agree as to what constitutes Stand Alone System Upgrade Facilities and identify such Stand Alone System Upgrade Facilities in Appendix A hereto. Except for Stand Alone System Upgrade Facilities, ~~Developer~~Interconnection Customer shall have no right to construct System Upgrade Facilities under this option.



**5.1.4 — ~~5.1.4~~ Negotiated Option.**

If the ~~Developer~~Interconnection Customer elects not to exercise its option under Article 5.1.3, Option to Build, ~~Developer~~Interconnection Customer shall so notify Connecting Transmission Owner ~~and NYISO~~ within thirty (30) Calendar Days, and the ~~Developer~~Interconnection Customer and Connecting Transmission Owner shall in good faith attempt to negotiate terms and conditions (including revision of the specified dates and liquidated damages, the provision of incentives or the procurement and construction of a portion of the Connecting Transmission Owner's Attachment Facilities and Stand Alone System Upgrade Facilities by ~~Developer~~Interconnection Customer) pursuant to which Connecting Transmission Owner is responsible for the design, procurement and construction of the Connecting Transmission Owner's Attachment Facilities and System Upgrade Facilities and System Deliverability Upgrades. If the two Parties are unable to reach agreement on such terms and conditions, Connecting Transmission Owner shall assume responsibility for the design, procurement and construction of the Connecting Transmission Owner's Attachment Facilities and System Upgrade Facilities and System Deliverability Upgrades pursuant to 5.1.1, Standard Option.

**5.2 ~~5.2~~ General Conditions Applicable to Option to Build.**

If ~~Developer~~Interconnection Customer assumes responsibility for the design, procurement and construction of the Connecting Transmission Owner's Attachment Facilities and Stand Alone System Upgrade Facilities,

(1) ~~(1)~~ — ~~Developer~~Interconnection Customer shall engineer, procure equipment, and construct the Connecting Transmission Owner's Attachment Facilities and Stand Alone System Upgrade Facilities (or portions thereof) using Good Utility Practice and using standards and specifications provided in advance by the Connecting Transmission Owner;

(2) ~~(2)~~ — ~~Developer's~~Interconnection Customer's engineering, procurement and construction of the Connecting Transmission Owner's Attachment Facilities and Stand Alone System Upgrade Facilities shall comply with all requirements of law to which Connecting Transmission Owner would be subject in the engineering, procurement or construction of the Connecting Transmission Owner's Attachment Facilities and Stand Alone System Upgrade Facilities;

(3) ~~(3)~~ — Connecting Transmission Owner shall review and approve the engineering design, equipment acceptance tests, and the construction of the Connecting Transmission Owner's Attachment Facilities and Stand Alone System Upgrade Facilities;

(4) ~~(4)~~ — Prior to commencement of construction, ~~Developer~~Interconnection Customer shall provide to Connecting Transmission Owner and NYISO a schedule for construction of the Connecting Transmission Owner's Attachment Facilities and Stand Alone System Upgrade Facilities, and shall promptly respond to requests for information from Connecting Transmission Owner or NYISO;

~~(5)(1)~~ ~~(5)~~—At any time during construction, Connecting Transmission Owner shall have the right to gain unrestricted access to the Connecting Transmission Owner’s Attachment Facilities and Stand Alone System Upgrade Facilities and to conduct inspections of the same;

~~(6)(2)~~ ~~(6)~~—At any time during construction, should any phase of the engineering, equipment procurement, or construction of the Connecting Transmission Owner’s Attachment Facilities and Stand Alone System Upgrade Facilities not meet the standards and specifications provided by Connecting Transmission Owner, the ~~Developer~~Interconnection Customer shall be obligated to remedy deficiencies in that portion of the Connecting Transmission Owner’s Attachment Facilities and Stand Alone System Upgrade Facilities;

~~(7)(3)~~ ~~(7)~~—~~Developer~~Interconnection Customer shall indemnify Connecting Transmission Owner ~~and NYISO~~ for claims arising from the ~~Developer’s~~Interconnection Customer’s construction of Connecting Transmission Owner’s Attachment Facilities and Stand Alone System Upgrade Facilities under procedures applicable to Article 18.1 Indemnity;

~~(8)(4)~~ ~~(8)~~—~~Developer~~Interconnection Customer shall transfer control of Connecting Transmission Owner’s Attachment Facilities and Stand Alone System Upgrade Facilities to the Connecting Transmission Owner;

~~(9)(5)~~ ~~(9)~~—Unless the ~~Developer~~Interconnection Customer and Connecting Transmission Owner otherwise agree, ~~Developer~~Interconnection Customer shall transfer ownership of Connecting Transmission Owner’s Attachment Facilities and Stand Alone System Upgrade Facilities to Connecting Transmission Owner;

~~(10)(6)~~ ~~(10)~~—Connecting Transmission Owner shall approve and accept for operation and maintenance the Connecting Transmission Owner’s Attachment Facilities and Stand Alone System Upgrade Facilities to the extent engineered, procured, and constructed in accordance with this Article 5.2; and

~~(11)(7)~~ ~~(11)~~—~~Developer~~Interconnection Customer shall deliver to NYISO and Connecting Transmission Owner “as built” drawings, information, and any other documents that are reasonably required by NYISO or Connecting Transmission Owner to assure that the Attachment Facilities and Stand Alone System Upgrade Facilities are built to the standards and specifications required by Connecting Transmission Owner.

### 5.3 ~~5.3~~ **Liquidated Damages.**

The actual damages to the ~~Developer~~Interconnection Customer, in the event the Connecting Transmission Owner’s Attachment Facilities or System Upgrade Facilities or System Deliverability Upgrades are not completed by the dates designated by the ~~Developer~~Interconnection Customer and accepted by the Connecting Transmission Owner pursuant to subparagraphs 5.1.2 or 5.1.4, above, may include ~~Developer’s~~Interconnection Customer’s fixed operation and maintenance costs and lost opportunity costs. Such actual damages are uncertain and impossible to determine at this time. Because of such uncertainty, any liquidated damages paid by the Connecting Transmission Owner to the

~~Developer~~Interconnection Customer in the event that Connecting Transmission Owner does not complete any portion of the Connecting Transmission Owner's Attachment Facilities, System Upgrade Facilities or System Deliverability Upgrades by the applicable dates, shall be an amount equal to 1/2 of 1 percent per day of the actual cost of the Connecting Transmission Owner's Attachment Facilities and System Upgrade Facilities and System Deliverability Upgrades, in the aggregate, for which Connecting Transmission Owner has assumed responsibility to design, procure and construct.

However, in no event shall the total liquidated damages exceed 20 percent of the actual cost of the Connecting Transmission Owner Attachment Facilities and System Upgrade Facilities and System Deliverability Upgrades for which the Connecting Transmission Owner has assumed responsibility to design, procure, and construct. The foregoing payments will be made by the Connecting Transmission Owner to the ~~Developer~~Interconnection Customer as just compensation for the damages caused to the ~~Developer~~Interconnection Customer, which actual damages are uncertain and impossible to determine at this time, and as reasonable liquidated damages, but not as a penalty or a method to secure performance of this Agreement. Liquidated damages, when the ~~Developer~~Interconnection Customer and Connecting Transmission Owner agree to them, are the exclusive remedy for the Connecting Transmission Owner's failure to meet its schedule.

Further, Connecting Transmission Owner shall not pay liquidated damages to ~~Developer~~Interconnection Customer if: (1) ~~Developer~~Interconnection Customer is not ready to commence use of the Connecting Transmission Owner's Attachment Facilities or System Upgrade Facilities or System Deliverability Upgrades to take the delivery of power for the ~~Developer's~~Interconnection Customer's Large Generating Facility's Trial Operation or to export power from the ~~Developer's~~Interconnection Customer's Large Generating Facility on the specified dates, unless the ~~Developer~~Interconnection Customer would have been able to commence use of the Connecting Transmission Owner's Attachment Facilities or System Upgrade Facilities or System Deliverability Upgrades to take the delivery of power for ~~Developer's~~Interconnection Customer's Large Generating Facility's Trial Operation or to export power from the ~~Developer's~~Interconnection Customer's Large Generating Facility, but for Connecting Transmission Owner's delay; (2) the Connecting Transmission Owner's failure to meet the specified dates is the result of the action or inaction of the ~~Developer~~Interconnection Customer or any other ~~Developer~~Interconnection Customer who has entered into a ~~Standard-~~ Large Generator Interconnection Agreement with the Connecting Transmission Owner ~~and-~~ ~~NYISO~~, or action or inaction by any other Party, or any other cause beyond Connecting Transmission Owner's reasonable control or reasonable ability to cure; (3) the ~~Developer~~Interconnection Customer has assumed responsibility for the design, procurement and construction of the Connecting Transmission Owner's Attachment Facilities and Stand Alone System Upgrade Facilities; or (4) the Connecting Transmission Owner and ~~Developer~~Interconnection Customer have otherwise agreed. In no event shall NYISO have any liability whatever to ~~Developer~~Interconnection Customer for liquidated damages associated with the engineering, procurement or construction of Attachment Facilities or System Upgrade Facilities or System Deliverability Upgrades.

5.4 ~~5.4~~ **Power System Stabilizers.**

The ~~Developer~~Interconnection Customer shall procure, install, maintain and operate Power System Stabilizers in accordance with the requirements identified in the Interconnection Studies conducted for ~~Developer's~~Interconnection Customer's Large Generating Facility. ~~NYISO and~~ Connecting Transmission Owner reserve the right to reasonably establish minimum acceptable settings for any installed Power System Stabilizers, subject to the design and operating limitations of the Large Generating Facility. If the Large Generating Facility's Power System Stabilizers are removed from service or not capable of automatic operation, the ~~Developer~~Interconnection Customer shall immediately notify the Connecting Transmission Owner ~~and NYISO~~. The requirements of this paragraph shall not apply to wind generators.

5.5 ~~5.5~~ **Equipment Procurement.**

If responsibility for construction of the Connecting Transmission Owner's Attachment Facilities or System Upgrade Facilities or System Deliverability Upgrades is to be borne by the Connecting Transmission Owner, then the Connecting Transmission Owner shall commence design of the Connecting Transmission Owner's Attachment Facilities or System Upgrade Facilities or System Deliverability Upgrades and procure necessary equipment as soon as practicable after all of the following conditions are satisfied, unless the - ~~Developer~~Interconnection Customer and Connecting Transmission Owner otherwise agree in writing:

5.5.1 ~~5.5.1~~ NYISO and Connecting Transmission Owner have completed the Interconnection Facilities Study pursuant to the Interconnection Facilities Study Agreement;

5.5.2 ~~5.5.2~~ The NYISO has completed the required cost allocation analyses, and ~~Developer~~Interconnection Customer has accepted his share of the costs for necessary System Upgrade Facilities and System Deliverability Upgrades in accordance with the provisions of Attachment S of the NYISO OATT;

5.5.3 ~~5.5.3~~ The Connecting Transmission Owner has received written authorization to proceed with design and procurement from the ~~Developer~~Interconnection Customer by the date specified in Appendix B hereto; and

5.5.4 ~~5.5.4~~ The ~~Developer~~Interconnection Customer has provided security to the Connecting Transmission Owner in accordance with Article 11.5 by the dates specified in Appendix B hereto.

5.6 ~~5.6~~ **Construction Commencement.**

The Connecting Transmission Owner shall commence construction of the Connecting Transmission Owner's Attachment Facilities and System Upgrade Facilities and System Deliverability Upgrades for which it is responsible as soon as practicable after the following additional conditions are satisfied:

5.6.1 — ~~5.6.1~~ — Approval of the appropriate Governmental Authority has been obtained for any facilities requiring regulatory approval;

5.6.2 — ~~5.6.2~~ — Necessary real property rights and rights-of-way have been obtained, to the extent required for the construction of a discrete aspect of the Connecting Transmission Owner's Attachment Facilities and System Upgrade Facilities and System Deliverability Upgrades;

5.6.3 — ~~5.6.3~~ — The Connecting Transmission Owner has received written authorization to proceed with construction from the ~~Developer~~Interconnection Customer by the date specified in Appendix B hereto; and

5.6.4 — ~~5.6.4~~ — The ~~Developer~~Interconnection Customer has provided security to the Connecting Transmission Owner in accordance with Article 11.5 by the dates specified in Appendix B hereto.

#### 5.7 ~~5.7~~ **Work Progress.**

The ~~Developer~~Interconnection Customer and Connecting Transmission Owner will keep each other, and NYISO, advised periodically as to the progress of their respective design, procurement and construction efforts. Any Party may, at any time, request a progress report from the ~~Developer~~Interconnection Customer or Connecting Transmission Owner. If, at any time, the ~~Developer~~Interconnection Customer determines that the completion of the Connecting Transmission Owner's Attachment Facilities will not be required until after the specified In-Service Date, the ~~Developer~~Interconnection Customer will provide written notice to the Connecting Transmission Owner and NYISO of such later date upon which the completion of the Connecting Transmission Owner's Attachment Facilities will be required.

#### 5.8 ~~5.8~~ **Information Exchange.**

As soon as reasonably practicable after the Effective Date, the ~~Developer~~Interconnection Customer and Connecting Transmission Owner shall exchange information, and provide NYISO the same information, regarding the design and compatibility of their respective Attachment Facilities and compatibility of the Attachment Facilities with the New York State Transmission System, and shall work diligently and in good faith to make any necessary design changes.

#### 5.9 ~~5.9~~ **Limited Operation.**

If any of the Connecting Transmission Owner's Attachment Facilities or System Upgrade Facilities or System Deliverability Upgrades are not reasonably expected to be completed prior to the Commercial Operation Date of the ~~Developer's~~Interconnection Customer's Large Generating Facility, NYISO shall, upon the request and at the expense of ~~Developer~~Interconnection Customer, in conjunction with the Connecting Transmission Owner, perform operating studies on a timely basis to determine the extent to which the ~~Developer's~~Interconnection Customer's Large Generating Facility and the ~~Developer's~~Interconnection Customer's Attachment Facilities may operate prior to the completion of the Connecting Transmission Owner's Attachment Facilities or System Upgrade

Facilities or System Deliverability Upgrades consistent with Applicable Laws and Regulations, Applicable Reliability Standards, Good Utility Practice, and this Agreement. Connecting Transmission Owner ~~and NYISO~~ shall permit ~~Developer~~Interconnection Customer to operate the ~~Developer's~~Interconnection Customer's Large Generating Facility and the ~~Developer's~~Interconnection Customer's Attachment Facilities in accordance with the results of such studies.

5.10 ~~5.10~~ ~~Developer's~~Interconnection Customer's Attachment Facilities (“~~DAFICAF~~”).

~~Developer~~Interconnection Customer shall, at its expense, design, procure, construct, own and install the ~~DAFICAF~~, as set forth in Appendix A hereto.

5.10.1 ~~5.10.1~~ ~~DAFICAF~~ Specifications.

~~Developer~~Interconnection Customer shall submit initial specifications for the ~~DAFICAF~~, including System Protection Facilities, to Connecting Transmission Owner and NYISO at least one hundred eighty (180) Calendar Days prior to the Initial Synchronization Date; and final specifications for review and comment at least ninety (90) Calendar Days prior to the Initial Synchronization Date. Connecting Transmission Owner and NYISO shall review such specifications to ensure that the ~~DAFICAF~~ are compatible with the technical specifications, operational control, and safety requirements of the Connecting Transmission Owner and NYISO and comment on such specifications within thirty (30) Calendar Days of ~~Developer's~~Interconnection Customer's submission. All specifications provided hereunder shall be deemed to be Confidential Information.

5.10.2 ~~5.10.2~~ No Warranty.

The review of ~~Developer's~~Interconnection Customer's final specifications by Connecting Transmission Owner and NYISO shall not be construed as confirming, endorsing, or providing a warranty as to the design, fitness, safety, durability or reliability of the Large Generating Facility, or the ~~DAFICAF~~. ~~Developer~~Interconnection Customer shall make such changes to the ~~DAFICAF~~ as may reasonably be required by Connecting Transmission Owner or NYISO, in accordance with Good Utility Practice, to ensure that the ~~DAFICAF~~ are compatible with the technical specifications, operational control, and safety requirements of the Connecting Transmission Owner and NYISO.

5.10.3 ~~5.10.3~~ ~~DAFICAF~~ Construction.

The ~~DAFICAF~~ shall be designed and constructed in accordance with Good Utility Practice. Within one hundred twenty (120) Calendar Days after the Commercial Operation Date, unless the ~~Developer~~Interconnection Customer and Connecting Transmission Owner agree on another mutually acceptable deadline, the ~~Developer~~Interconnection Customer shall deliver to the Connecting Transmission Owner and NYISO “as-built” drawings, information and documents for the ~~DAFICAF~~, such as: a one-line diagram, a site plan showing the Large Generating Facility and the ~~DAFICAF~~, plan and elevation drawings showing the layout of the



~~DAFICAF~~, a relay functional diagram, relaying AC and DC schematic wiring diagrams and relay settings for all facilities associated with the ~~Developer's~~Interconnection Customer's step-up transformers, the facilities connecting the Large Generating Facility to the step-up transformers and the ~~DAFICAF~~, and the impedances (determined by factory tests) for the associated step-up transformers and the Large Generating Facility. The ~~Developer~~Interconnection Customer shall provide to, and coordinate with, Connecting Transmission Owner and NYISO with respect to proposed specifications for the excitation system, automatic voltage regulator, Large Generating Facility control and protection settings, transformer tap settings, and communications, if applicable.

#### 5.11 ~~5.11~~ — **Connecting Transmission Owner's Attachment Facilities Construction.**

The Connecting Transmission Owner's Attachment Facilities shall be designed and constructed in accordance with Good Utility Practice. Upon request, within one hundred twenty (120) Calendar Days after the Commercial Operation Date, unless the Connecting Transmission Owner and ~~Developer~~Interconnection Customer agree on another mutually acceptable deadline, the Connecting Transmission Owner shall deliver to the ~~Developer~~Interconnection Customer "as-built" drawings, relay diagrams, information and documents for the Connecting Transmission Owner's Attachment Facilities set forth in Appendix A.

The Connecting Transmission Owner shall transfer operational control of the Connecting Transmission Owner's Attachment Facilities and Stand Alone System Upgrade Facilities to the NYISO upon completion of such facilities.

#### 5.12 ~~5.12~~ — **Access Rights.**

Upon reasonable notice and supervision by the Granting Party, and subject to any required or necessary regulatory approvals, either the Connecting Transmission Owner or ~~Developer~~Interconnection Customer ("Granting Party") shall furnish to the other of those two Parties ("Access Party") at no cost any rights of use, licenses, rights of way and easements with respect to lands owned or controlled by the Granting Party, its agents (if allowed under the applicable agency agreement), or any Affiliate, that are necessary to enable the Access Party to obtain ingress and egress at the Point of Interconnection to construct, operate, maintain, repair, test (or witness testing), inspect, replace or remove facilities and equipment to: (i) interconnect the Large Generating Facility with the New York State Transmission System; (ii) operate and maintain the Large Generating Facility, the Attachment Facilities and the New York State Transmission System; and (iii) disconnect or remove the Access Party's facilities and equipment upon termination of this Agreement. In exercising such licenses, rights of way and easements, the Access Party shall not unreasonably disrupt or interfere with normal operation of the Granting Party's business and shall adhere to the safety rules and procedures established in advance, as may be changed from time to time, by the Granting Party and provided to the Access Party. The Access Party shall indemnify the Granting Party against all claims of injury or damage from third parties resulting from the exercise of the access rights provided for herein.

5.13 ~~5.13~~ — **Lands of Other Property Owners.**

If any part of the Connecting Transmission Owner's Attachment Facilities and/or System Upgrade Facilities and/or System Deliverability Upgrades is to be installed on property owned by persons other than ~~Developer~~Interconnection Customer or Connecting Transmission Owner, the Connecting Transmission Owner shall at ~~Developer's~~Interconnection Customer's expense use efforts, similar in nature and extent to those that it typically undertakes for its own or affiliated generation, including use of its eminent domain authority, and to the extent consistent with state law, to procure from such persons any rights of use, licenses, rights of way and easements that are necessary to construct, operate, maintain, test, inspect, replace or remove the Connecting Transmission Owner's Attachment Facilities and/or System Upgrade Facilities and/or System Deliverability Upgrades upon such property.

5.14 ~~5.14~~ — **Permits.**

~~NYISO~~, Connecting Transmission Owner and the ~~Developer~~Interconnection Customer shall cooperate with each other in good faith in obtaining all permits, licenses and authorizations that are necessary to accomplish the interconnection in compliance with Applicable Laws and Regulations. With respect to this paragraph, Connecting Transmission Owner shall provide permitting assistance to the ~~Developer~~Interconnection Customer comparable to that provided to the Connecting Transmission Owner's own, or an Affiliate's generation, if any.

5.15 ~~5.15~~ — **Early Construction of Base Case Facilities.**

~~Developer~~Interconnection Customer may request Connecting Transmission Owner to construct, and Connecting Transmission Owner shall construct, subject to a binding cost allocation agreement reached in accordance with Attachment S to the NYISO OATT, including Section 25.8.7 thereof, using Reasonable Efforts to accommodate ~~Developer's~~Interconnection Customer's In-Service Date, all or any portion of any System Upgrade Facilities or System Deliverability Upgrades required for ~~Developer~~Interconnection Customer to be interconnected to the New York State Transmission System which are included in the Base Case of the Class Year Interconnection Facilities Study for the ~~Developer~~Interconnection Customer, and which also are required to be constructed for another ~~Developer~~Interconnection Customer, but where such construction is not scheduled to be completed in time to achieve ~~Developer's~~Interconnection Customer's In-Service Date.

5.16 ~~5.16~~ — **Suspension.**

~~Developer~~Interconnection Customer reserves the right, upon written notice to Connecting Transmission Owner ~~and NYISO~~, to suspend at any time all work by Connecting Transmission Owner associated with the construction and installation of Connecting Transmission Owner's Attachment Facilities and/or System Upgrade Facilities and/or System Deliverability Upgrades required for only that ~~Developer~~Interconnection Customer under this Agreement with the condition that the New York State Transmission System shall be left in a safe and reliable condition in accordance with Good Utility Practice and the safety and reliability criteria of Connecting Transmission Owner and NYISO. In such event, ~~Developer~~Interconnection Customer shall be responsible for all reasonable and necessary costs and/or obligations in



accordance with Attachment S to the NYISO OATT including those which Connecting Transmission Owner (i) has incurred pursuant to this Agreement prior to the suspension and (ii) incurs in suspending such work, including any costs incurred to perform such work as may be necessary to ensure the safety of persons and property and the integrity of the New York State Transmission System during such suspension and, if applicable, any costs incurred in connection with the cancellation or suspension of material, equipment and labor contracts which Connecting Transmission Owner cannot reasonably avoid; provided, however, that prior to canceling or suspending any such material, equipment or labor contract, Connecting Transmission Owner shall obtain ~~Developer's~~Interconnection Customer's authorization to do so.

Connecting Transmission Owner shall invoice ~~Developer~~Interconnection Customer for such costs pursuant to Article 12 and shall use due diligence to minimize its costs. In the event ~~Developer~~Interconnection Customer suspends work by Connecting Transmission Owner required under this Agreement pursuant to this Article 5.16, and has not requested Connecting Transmission Owner to recommence the work required under this Agreement on or before the expiration of three (3) years following commencement of such suspension, this Agreement shall be deemed terminated. The three-year period shall begin on the date the suspension is requested, or the date of the written notice to Connecting Transmission Owner ~~and NYISO~~, if no effective date is specified.

5.17 ~~5.17~~ **Taxes.**

5.17.1 ~~5.17.1~~ **Developer Interconnection Customer Payments Not Taxable.**

The ~~Developer~~Interconnection Customer and Connecting Transmission Owner intend that all payments or property transfers made by ~~Developer~~Interconnection Customer to Connecting Transmission Owner for the installation of the Connecting Transmission Owner's Attachment Facilities and the System Upgrade Facilities and the System Deliverability Upgrades shall be non-taxable, either as contributions to capital, or as an advance, in accordance with the Internal Revenue Code and any applicable state income tax laws and shall not be taxable as contributions in aid of construction or otherwise under the Internal Revenue Code and any applicable state income tax laws.

5.17.2 ~~5.17.2~~ **Representations and Covenants.**

In accordance with IRS Notice 2001-82 and IRS Notice 88-129, - ~~Developer~~Interconnection Customer represents and covenants that (i) ownership of the electricity generated at the Large Generating Facility will pass to another party prior to the transmission of the electricity on the New York State Transmission System, (ii) for income tax purposes, the amount of any payments and the cost of any property transferred to the Connecting Transmission Owner for the Connecting Transmission Owner's Attachment Facilities will be capitalized by ~~Developer~~Interconnection Customer as an intangible asset and recovered using the straight-line method over a useful life of twenty (20) years, and (iii) any portion of the Connecting Transmission Owner's Attachment Facilities that is a "dual-use intertie," within the meaning of IRS Notice 88-129, is reasonably expected to carry only a de minimis amount of electricity in the direction of the Large Generating Facility. For this purpose, "de minimis amount" means no more than 5 percent of the total power flows in both directions, calculated in accordance with the

“5 percent test” set forth in IRS Notice 88-129. This is not intended to be an exclusive list of the relevant conditions that must be met to conform to IRS requirements for non-taxable treatment.

At Connecting Transmission Owner’s request, ~~Developer~~Interconnection Customer shall provide Connecting Transmission Owner with a report from an independent engineer confirming its representation in clause (iii), above. Connecting Transmission Owner represents and covenants that the cost of the Connecting Transmission Owner’s Attachment Facilities paid for by ~~Developer~~Interconnection Customer will have no net effect on the base upon which rates are determined.

**5.17.3 —~~5.17.3~~ Indemnification for the Cost Consequences of Current Tax Liability Imposed Upon the Connecting Transmission Owner.**

Notwithstanding Article 5.17.1, ~~Developer~~Interconnection Customer shall protect, indemnify and hold harmless Connecting Transmission Owner from the cost consequences of any current tax liability imposed against Connecting Transmission Owner as the result of payments or property transfers made by ~~Developer~~Interconnection Customer to Connecting Transmission Owner under this Agreement, as well as any interest and penalties, other than interest and penalties attributable to any delay caused by Connecting Transmission Owner.

Connecting Transmission Owner shall not include a gross-up for the cost consequences of any current tax liability in the amounts it charges ~~Developer~~Interconnection Customer under this Agreement unless (i) Connecting Transmission Owner has determined, in good faith, that the payments or property transfers made by ~~Developer~~Interconnection Customer to Connecting Transmission Owner should be reported as income subject to taxation or (ii) any Governmental Authority directs Connecting Transmission Owner to report payments or property as income subject to taxation; provided, however, that Connecting Transmission Owner may require ~~Developer~~Interconnection Customer to provide security, in a form reasonably acceptable to Connecting Transmission Owner (such as a parental guarantee or a letter of credit), in an amount equal to the cost consequences of any current tax liability under this Article 5.17. ~~Developer~~Interconnection Customer shall reimburse Connecting Transmission Owner for such costs on a fully grossed-up basis, in accordance with Article 5.17.4, within thirty (30) Calendar Days of receiving written notification from Connecting Transmission Owner of the amount due, including detail about how the amount was calculated.

This indemnification obligation shall terminate at the earlier of (1) the expiration of the ten-year testing period and the applicable statute of limitation, as it may be extended by the Connecting Transmission Owner upon request of the IRS, to keep these years open for audit or adjustment, or (2) the occurrence of a subsequent taxable event and the payment of any related indemnification obligations as contemplated by this Article 5.17.

**5.17.4 —~~5.17.4~~ Tax Gross-Up Amount.**

~~Developer’s~~Interconnection Customer’s liability for the cost consequences of any current tax liability under this Article 5.17 shall be calculated on a fully grossed-up basis. Except as may otherwise be agreed to by the parties, this means that ~~Developer~~Interconnection Customer will pay Connecting Transmission Owner, in addition to the amount paid for the Attachment

Facilities and System Upgrade Facilities and System Deliverability Upgrades, an amount equal to (1) the current taxes imposed on Connecting Transmission Owner (“Current Taxes”) on the excess of (a) the gross income realized by Connecting Transmission Owner as a result of payments or property transfers made by ~~Developer~~Interconnection Customer to Connecting Transmission Owner under this Agreement (without regard to any payments under this Article 5.17) (the “Gross Income Amount”) over (b) the present value of future tax deductions for depreciation that will be available as a result of such payments or property transfers (the “Present Value Depreciation Amount”), plus (2) an additional amount sufficient to permit the Connecting Transmission Owner to receive and retain, after the payment of all Current Taxes, an amount equal to the net amount described in clause (1).

For this purpose, (i) Current Taxes shall be computed based on Connecting Transmission Owner’s composite federal and state tax rates at the time the payments or property transfers are received and Connecting Transmission Owner will be treated as being subject to tax at the highest marginal rates in effect at that time (the “Current Tax Rate”), and (ii) the Present Value Depreciation Amount shall be computed by discounting Connecting Transmission Owner’s anticipated tax depreciation deductions as a result of such payments or property transfers by Connecting Transmission Owner’s current weighted average cost of capital. Thus, the formula for calculating ~~Developer’s~~Interconnection Customer’s liability to Connecting Transmission Owner pursuant to this Article 5.17.4 can be expressed as follows:  $(\text{Current Tax Rate} \times (\text{Gross Income Amount} - \text{Present Value of Tax Depreciation})) / (1 - \text{Current Tax Rate})$ . ~~Developer’s~~Interconnection Customer’s estimated tax liability in the event taxes are imposed shall be stated in Appendix A, Attachment Facilities and System Upgrade Facilities and System Deliverability Upgrades.

#### 5.17.5 — ~~5.17.5~~ Private Letter Ruling or Change or Clarification of Law.

At ~~Developer’s~~Interconnection Customer’s request and expense, Connecting Transmission Owner shall file with the IRS a request for a private letter ruling as to whether any property transferred or sums paid, or to be paid, by ~~Developer~~Interconnection Customer to Connecting Transmission Owner under this Agreement are subject to federal income taxation. ~~Developer~~Interconnection Customer will prepare the initial draft of the request for a private letter ruling, and will certify under penalties of perjury that all facts represented in such request are true and accurate to the best of ~~Developer’s~~Interconnection Customer’s knowledge. Connecting Transmission Owner and ~~Developer~~Interconnection Customer shall cooperate in good faith with respect to the submission of such request.

Connecting Transmission Owner shall keep ~~Developer~~Interconnection Customer fully informed of the status of such request for a private letter ruling and shall execute either a privacy act waiver or a limited power of attorney, in a form acceptable to the IRS, that authorizes ~~Developer~~Interconnection Customer to participate in all discussions with the IRS regarding such request for a private letter ruling. Connecting Transmission Owner shall allow ~~Developer~~Interconnection Customer to attend all meetings with IRS officials about the request and shall permit ~~Developer~~Interconnection Customer to prepare the initial drafts of any follow-up letters in connection with the request.

5.17.6 — ~~5.17.6~~ **Subsequent Taxable Events.**

If, within 10 years from the date on which the relevant Connecting Transmission Owner Attachment Facilities are placed in service, (i) ~~Developer~~Interconnection Customer Breaches the covenants contained in Article 5.17.2, (ii) a “disqualification event” occurs within the meaning of IRS Notice 88-129, or (iii) this Agreement terminates and Connecting Transmission Owner retains ownership of the Attachment Facilities and System Upgrade Facilities and System Deliverability Upgrades, the ~~Developer~~Interconnection Customer shall pay a tax gross-up for the cost consequences of any current tax liability imposed on Connecting Transmission Owner, calculated using the methodology described in Article 5.17.4 and in accordance with IRS Notice 90-60.

5.17.7 — ~~5.17.7~~ **Contests.**

In the event any Governmental Authority determines that Connecting Transmission Owner’s receipt of payments or property constitutes income that is subject to taxation, Connecting Transmission Owner shall notify ~~Developer~~Interconnection Customer, in writing, within thirty (30) Calendar Days of receiving notification of such determination by a Governmental Authority. Upon the timely written request by ~~Developer and at Developer’s~~Interconnection Customer and at Interconnection Customer’s sole expense, Connecting Transmission Owner may appeal, protest, seek abatement of, or otherwise oppose such determination. Upon ~~Developer’s~~Interconnection Customer’s written request and sole expense, Connecting Transmission Owner may file a claim for refund with respect to any taxes paid under this Article 5.17, whether or not it has received such a determination. Connecting Transmission Owner reserves the right to make all decisions with regard to the prosecution of such appeal, protest, abatement or other contest, including the selection of counsel and compromise or settlement of the claim, but Connecting Transmission Owner shall keep ~~Developer~~Interconnection Customer informed, shall consider in good faith suggestions from ~~Developer~~Interconnection Customer about the conduct of the contest, and shall reasonably permit ~~Developer or an Developer~~Interconnection Customer or an Interconnection Customer representative to attend contest proceedings.

~~Developer~~Interconnection Customer shall pay to Connecting Transmission Owner on a periodic basis, as invoiced by Connecting Transmission Owner, Connecting Transmission Owner’s documented reasonable costs of prosecuting such appeal, protest, abatement or other contest. At any time during the contest, Connecting Transmission Owner may agree to a settlement either with ~~Developer’s~~Interconnection Customer’s consent or after obtaining written advice from nationally-recognized tax counsel, selected by Connecting Transmission Owner, but reasonably acceptable to ~~Developer~~Interconnection Customer, that the proposed settlement represents a reasonable settlement given the hazards of litigation. ~~Developer’s~~Interconnection Customer’s obligation shall be based on the amount of the settlement agreed to by ~~Developer~~Interconnection Customer, or if a higher amount, so much of the settlement that is supported by the written advice from nationally-recognized tax counsel selected under the terms of the preceding sentence. The settlement amount shall be calculated on a fully grossed-up basis to cover any related cost consequences of the current tax liability. Any settlement without ~~Developer’s~~Interconnection Customer’s consent or such written advice will relieve

~~Developer~~Interconnection Customer from any obligation to indemnify Connecting Transmission Owner for the tax at issue in the contest.

5.17.8 — ~~5.17.8~~ **Refund.**

In the event that (a) a private letter ruling is issued to Connecting Transmission Owner which holds that any amount paid or the value of any property transferred by - ~~Developer~~Interconnection Customer to Connecting Transmission Owner under the terms of this Agreement is not subject to federal income taxation, (b) any legislative change or administrative announcement, notice, ruling or other determination makes it reasonably clear to Connecting Transmission Owner in good faith that any amount paid or the value of any property transferred by ~~Developer~~Interconnection Customer to Connecting Transmission Owner under the terms of this Agreement is not taxable to Connecting Transmission Owner, (c) any abatement, appeal, protest, or other contest results in a determination that any payments or transfers made by ~~Developer~~Interconnection Customer to Connecting Transmission Owner are not subject to federal income tax, or (d) if Connecting Transmission Owner receives a refund from any taxing authority for any overpayment of tax attributable to any payment or property transfer made by ~~Developer~~Interconnection Customer to Connecting Transmission Owner pursuant to this Agreement, Connecting Transmission Owner shall promptly refund to ~~Developer~~Interconnection Customer the following:

(i) ~~(i)~~ — Any payment made by ~~Developer~~Interconnection Customer under this Article 5.17 for taxes that is attributable to the amount determined to be non-taxable, together with interest thereon,

(ii) ~~(ii)~~ — Interest on any amounts paid by ~~Developer~~Interconnection Customer to Connecting Transmission Owner for such taxes which Connecting Transmission Owner did not submit to the taxing authority, calculated in accordance with the methodology set forth in FERC's regulations at 18 C.F.R. §35.19a(a)(2)(iii) from the date payment was made by ~~Developer~~Interconnection Customer to the date Connecting Transmission Owner refunds such payment to ~~Developer~~Interconnection Customer, and

(iii) ~~(iii)~~ — With respect to any such taxes paid by Connecting Transmission Owner, any refund or credit Connecting Transmission Owner receives or to which it may be entitled from any Governmental Authority, interest (or that portion thereof attributable to the payment described in clause (i), above) owed to the Connecting Transmission Owner for such overpayment of taxes (including any reduction in interest otherwise payable by Connecting Transmission Owner to any Governmental Authority resulting from an offset or credit); provided, however, that Connecting Transmission Owner will remit such amount promptly to ~~Developer~~Interconnection Customer only after and to the extent that Connecting Transmission Owner has received a tax refund, credit or offset from any Governmental Authority for any applicable overpayment of income tax related to the Connecting Transmission Owner's Attachment Facilities.

The intent of this provision is to leave both the ~~Developer~~Interconnection Customer and Connecting Transmission Owner, to the extent practicable, in the event that no taxes are due with



respect to any payment for Attachment Facilities and System Upgrade Facilities and System Deliverability Upgrades hereunder, in the same position they would have been in had no such tax payments been made.

**5.17.9 — ~~5.17.9~~ Taxes Other Than Income Taxes.**

Upon the timely request by ~~Developer, and at Developer's~~ Interconnection Customer, and at Interconnection Customer's sole expense, Connecting Transmission Owner shall appeal, protest, seek abatement of, or otherwise contest any tax (other than federal or state income tax) asserted or assessed against Connecting Transmission Owner for which ~~Developer~~ Interconnection Customer may be required to reimburse Connecting Transmission Owner under the terms of this Agreement. ~~Developer~~ Interconnection Customer shall pay to Connecting Transmission Owner on a periodic basis, as invoiced by Connecting Transmission Owner, Connecting Transmission Owner's documented reasonable costs of prosecuting such appeal, protest, abatement, or other contest. ~~Developer~~ Interconnection Customer and Connecting Transmission Owner shall cooperate in good faith with respect to any such contest. Unless the payment of such taxes is a prerequisite to an appeal or abatement or cannot be deferred, no amount shall be payable by ~~Developer~~ Interconnection Customer to Connecting Transmission Owner for such taxes until they are assessed by a final, non-appealable order by any court or agency of competent jurisdiction. In the event that a tax payment is withheld and ultimately due and payable after appeal, ~~Developer~~ Interconnection Customer will be responsible for all taxes, interest and penalties, other than penalties attributable to any delay caused by Connecting Transmission Owner.

**5.18 — ~~5.18~~ Tax Status; Non-Jurisdictional Entities.**

**5.18.1 — ~~5.18.1~~ Tax Status.**

Each Party shall cooperate with the other ~~Parties~~ Party to maintain the other ~~Parties' Party's~~ tax status. Nothing in this Agreement is intended to adversely affect the tax status of any Party ~~including the status of NYISO,~~ or the status of any Connecting Transmission Owner with respect to the issuance of bonds including, but not limited to, Local Furnishing Bonds. Notwithstanding any other provisions of this Agreement, LIPA, NYPA and Consolidated Edison Company of New York, Inc. shall not be required to comply with any provisions of this Agreement that would result in the loss of tax-exempt status of any of their Tax-Exempt Bonds or impair their ability to issue future tax-exempt obligations. For purposes of this provision, Tax-Exempt Bonds shall include the obligations of the Long Island Power Authority, NYPA and Consolidated Edison Company of New York, Inc., the interest on which is not included in gross income under the Internal Revenue Code.

**5.18.2 — ~~5.18.2~~ Non-Jurisdictional Entities.**

LIPA and NYPA do not waive their exemptions, pursuant to Section 201(f) of the FPA, from Commission jurisdiction with respect to the Commission's exercise of the FPA's general ratemaking authority.

## 5.19 ~~5.19~~ **Modification.**

### 5.19.1 ~~5.19.1~~ **General.**

Either the ~~Developer~~Interconnection Customer or Connecting Transmission Owner may undertake modifications to its facilities covered by this Agreement. If either the ~~Developer~~Interconnection Customer or Connecting Transmission Owner plans to undertake a modification that reasonably may be expected to affect the other Party's facilities, that Party shall provide to the other Party, and to NYISO, sufficient information regarding such modification so that the other Party and NYISO may evaluate the potential impact of such modification prior to commencement of the work. Such information shall be deemed to be Confidential Information hereunder and shall include information concerning the timing of such modifications and whether such modifications are expected to interrupt the flow of electricity from the Large Generating Facility. The Party desiring to perform such work shall provide the relevant drawings, plans, and specifications to the other Party and NYISO at least ninety (90) Calendar Days in advance of the commencement of the work or such shorter period upon which the Parties may agree, which agreement shall not unreasonably be withheld, conditioned or delayed.

In the case of Large Generating Facility modifications that do not require ~~Developer~~Interconnection Customer to submit an Interconnection Request, ~~the~~ ~~NYISO~~Connecting Transmission Owner shall provide, within sixty (60) Calendar Days (or such other time as the Parties may agree), an estimate of any additional modifications to the New York State Transmission System, Connecting Transmission Owner's Attachment Facilities or System Upgrade Facilities or System Deliverability Upgrades necessitated by such ~~Developer~~Interconnection Customer modification and a good faith estimate of the costs thereof. The ~~Developer~~Interconnection Customer shall be responsible for the cost of any such additional modifications, including the cost of studying the impact of the ~~Developer~~Interconnection Customer modification.

### 5.19.2 ~~5.19.2~~ **Standards.**

Any additions, modifications, or replacements made to a Party's facilities shall be designed, constructed and operated in accordance with this Agreement, NYISO requirements and Good Utility Practice.

### 5.19.3 ~~5.19.3~~ **Modification Costs.**

~~Developer~~Interconnection Customer shall not be assigned the costs of any additions, modifications, or replacements that Connecting Transmission Owner makes to the Connecting Transmission Owner's Attachment Facilities or the New York State Transmission System to facilitate the interconnection of a third party to the Connecting Transmission Owner's Attachment Facilities or the New York State Transmission System, or to provide Transmission Service to a third party under the NYISO OATT, except in accordance with the cost allocation procedures in Attachment S of the NYISO OATT. ~~Developer~~Interconnection Customer shall be responsible for the costs of any additions, modifications, or replacements to the

~~Developer~~Interconnection Customer Attachment Facilities that may be necessary to maintain or upgrade such ~~Developer~~Interconnection Customer Attachment Facilities consistent with Applicable Laws and Regulations, Applicable Reliability Standards or Good Utility Practice.

## Article 6. ~~ARTICLE 6.~~ **Testing And Inspection**

### 6.1 ~~6.1~~ **Pre-Commercial Operation Date Testing and Modifications.**

Prior to the Commercial Operation Date, the Connecting Transmission Owner shall test the Connecting Transmission Owner's Attachment Facilities and System Upgrade Facilities and System Deliverability Upgrades and ~~Developer~~Interconnection Customer shall test the Large Generating Facility and the ~~Developer~~Interconnection Customer Attachment Facilities to ensure their safe and reliable operation. Similar testing may be required after initial operation.

~~Developer~~Interconnection Customer and Connecting Transmission Owner shall each make any modifications to its facilities that are found to be necessary as a result of such testing.

~~Developer~~Interconnection Customer shall bear the cost of all such testing and modifications.

~~Developer~~Interconnection Customer shall generate test energy at the Large Generating Facility only if it has arranged for the injection of such test energy in accordance with NYISO procedures.

### 6.2 ~~6.2~~ **Post-Commercial Operation Date Testing and Modifications.**

~~Developer~~Interconnection Customer and Connecting Transmission Owner shall each at its own expense perform routine inspection and testing of its facilities and equipment in accordance with Good Utility Practice and Applicable Reliability Standards as may be necessary to ensure the continued interconnection of the Large Generating Facility with the New York State Transmission System in a safe and reliable manner. ~~Developer~~Interconnection Customer and Connecting Transmission Owner shall each have the right, upon advance written notice, to require reasonable additional testing of the other Party's facilities, at the requesting Party's expense, as may be in accordance with Good Utility Practice.

### 6.3 ~~6.3~~ **Right to Observe Testing.**

~~Developer~~Interconnection Customer and Connecting Transmission Owner shall each notify the other Party, and the NYISO, in advance of its performance of tests of its Attachment Facilities. The other Party, and the NYISO, shall each have the right, at its own expense, to observe such testing.

### 6.4 ~~6.4~~ **Right to Inspect.**

~~Developer~~Interconnection Customer and Connecting Transmission Owner shall each have the right, but shall have no obligation to: (i) observe the other Party's tests and/or inspection of any of its System Protection Facilities and other protective equipment, including Power System Stabilizers; (ii) review the settings of the other Party's System Protection Facilities and other protective equipment; and (iii) review the other Party's maintenance records relative to the Attachment Facilities, the System Protection Facilities and other protective equipment. NYISO shall have these same rights of inspection as to the facilities and equipment



of ~~Developer~~[Interconnection Customer](#) and Connecting Transmission Owner. A Party may exercise these rights from time to time as it deems necessary upon reasonable notice to the other Party. The exercise or non-exercise by a Party of any such rights shall not be construed as an endorsement or confirmation of any element or condition of the Attachment Facilities or the System Protection Facilities or other protective equipment or the operation thereof, or as a warranty as to the fitness, safety, desirability, or reliability of same. Any information that a Party obtains through the exercise of any of its rights under this Article 6.4 shall be treated in accordance with Article 22 of this Agreement and Attachment F to the NYISO OATT.

## Article 7. ~~ARTICLE 7.~~ **Metering**

### 7.1 ~~7.1~~ **General.**

~~Developer~~[Interconnection Customer](#) and Connecting Transmission Owner shall each comply with applicable requirements of NYISO and the New York Public Service Commission when exercising its rights and fulfilling its responsibilities under this Article 7. Unless otherwise agreed by the Connecting Transmission Owner and NYISO approved meter service provider and ~~Developer~~[Interconnection Customer](#), the Connecting Transmission Owner shall install Metering Equipment at the Point of Interconnection prior to any operation of the Large Generating Facility and shall own, operate, test and maintain such Metering Equipment. Net power flows including MW and MVAR, MWHR and loss profile data to and from the Large Generating Facility shall be measured at the Point of Interconnection. Connecting Transmission Owner shall provide metering quantities, in analog and/or digital form, as required, to ~~Developer~~[Interconnection Customer](#) or NYISO upon request. Where the Point of Interconnection for the Large Generating Facility is other than the generator terminal, the ~~Developer~~[Interconnection Customer](#) shall also provide gross MW and MVAR quantities at the generator terminal. ~~Developer~~[Interconnection Customer](#) shall bear all reasonable documented costs associated with the purchase, installation, operation, testing and maintenance of the Metering Equipment.

### 7.2 ~~7.2~~ **Check Meters.**

~~Developer~~[Interconnection Customer](#), at its option and expense, may install and operate, on its premises and on its side of the Point of Interconnection, one or more check meters to check Connecting Transmission Owner's meters. Such check meters shall be for check purposes only and shall not be used for the measurement of power flows for purposes of this Agreement, except as provided in Article 7.4 below. The check meters shall be subject at all reasonable times to inspection and examination by Connecting Transmission Owner or its designee. The installation, operation and maintenance thereof shall be performed entirely by ~~Developer~~[Interconnection Customer](#) in accordance with Good Utility Practice.

### 7.3 ~~7.3~~ **Standards.**

Connecting Transmission Owner shall install, calibrate, and test revenue quality Metering Equipment including potential transformers and current transformers in accordance with applicable ANSI and PSC standards as detailed in the NYISO Control Center Communications Manual and in the NYISO Revenue Metering Requirements Manual.

#### 7.4 ~~7.4~~ Testing of Metering Equipment.

Connecting Transmission Owner shall inspect and test all of its Metering Equipment upon installation and at least once every two (2) years thereafter. If requested to do so by NYISO or ~~Developer~~Interconnection Customer, Connecting Transmission Owner shall, at ~~Developer's~~Interconnection Customer's expense, inspect or test Metering Equipment more frequently than every two (2) years. Connecting Transmission Owner shall give reasonable notice of the time when any inspection or test shall take place, and ~~Developer~~Interconnection Customer and NYISO may have representatives present at the test or inspection. If at any time Metering Equipment is found to be inaccurate or defective, it shall be adjusted, repaired or replaced at ~~Developer's~~Interconnection Customer's expense, in order to provide accurate metering, unless the inaccuracy or defect is due to Connecting Transmission Owner's failure to maintain, then Connecting Transmission Owner shall pay. If Metering Equipment fails to register, or if the measurement made by Metering Equipment during a test varies by more than two percent from the measurement made by the standard meter used in the test, Connecting Transmission Owner shall adjust the measurements by correcting all measurements for the period during which Metering Equipment was in error by using ~~Developer's~~Interconnection Customer's check meters, if installed. If no such check meters are installed or if the period cannot be reasonably ascertained, the adjustment shall be for the period immediately preceding the test of the Metering Equipment equal to one-half the time from the date of the last previous test of the Metering Equipment. The NYISO shall reserve the right to review all associated metering equipment installation on the ~~Developer's~~Interconnection Customer's or Connecting Transmission Owner's property at any time.

#### 7.5 ~~7.5~~ Metering Data.

At ~~Developer's~~Interconnection Customer's expense, the metered data shall be telemetered to one or more locations designated by Connecting Transmission Owner, ~~Developer~~Interconnection Customer and NYISO. Such telemetered data shall be used, under normal operating conditions, as the official measurement of the amount of energy delivered from the Large Generating Facility to the Point of Interconnection.

### Article 8. ~~ARTICLE 8.~~ Communications

#### 8.1 ~~8.1~~ ~~Developer~~Interconnection Customer Obligations.

In accordance with applicable NYISO requirements, ~~Developer~~Interconnection Customer shall maintain satisfactory operating communications with Connecting Transmission Owner and NYISO. ~~Developer~~Interconnection Customer shall provide standard voice line, dedicated voice line and facsimile communications at its Large Generating Facility control room or central dispatch facility through use of either the public telephone system, or a voice communications system that does not rely on the public telephone system. ~~Developer~~Interconnection Customer shall also provide the dedicated data circuit(s) necessary to provide ~~Developer~~Interconnection Customer data to Connecting Transmission Owner and NYISO as set forth in Appendix D hereto. The data circuit(s) shall extend from the Large Generating Facility to the location(s) specified by Connecting Transmission Owner and NYISO. Any required maintenance of such communications equipment shall be performed by

~~Developer~~Interconnection Customer. Operational communications shall be activated and maintained under, but not be limited to, the following events: system paralleling or separation, scheduled and unscheduled shutdowns, equipment clearances, and hourly and daily load data.

## 8.2 ~~8.2~~ Remote Terminal Unit.

Prior to the Initial Synchronization Date of the Large Generating Facility, a Remote Terminal Unit, or equivalent data collection and transfer equipment acceptable to the Parties, shall be installed by ~~Developer~~Interconnection Customer, or by Connecting Transmission Owner at ~~Developer's~~Interconnection Customer's expense, to gather accumulated and instantaneous data to be telemetered to the location(s) designated by Connecting Transmission Owner ~~and NYISO~~ through use of a dedicated point-to-point data circuit(s) as indicated in Article 8.1. The communication protocol for the data circuit(s) shall be specified by Connecting Transmission Owner ~~and NYISO~~. Instantaneous bi-directional analog real power and reactive power flow information must be telemetered directly to the location(s) specified by Connecting Transmission Owner ~~and NYISO~~.

Each Party will promptly advise the appropriate other Party if it detects or otherwise learns of any metering, telemetry or communications equipment errors or malfunctions that require the attention and/or correction by that other Party. The Party owning such equipment shall correct such error or malfunction as soon as reasonably feasible.

## 8.3 ~~8.3~~ No Annexation.

Any and all equipment placed on the premises of a Party shall be and remain the property of the Party providing such equipment regardless of the mode and manner of annexation or attachment to real property, unless otherwise mutually agreed by the Party providing such equipment and the Party receiving such equipment.

## Article 9. ~~ARTICLE 9.~~ OPERATIONS

### 9.1 ~~9.1~~ General.

Each Party shall comply with Applicable Laws and Regulations and Applicable Reliability Standards. Each Party shall provide to the other ~~Parties~~Party and the NYISO all information that may reasonably be required by the other ~~Parties~~Party and the NYISO to comply with Applicable Laws and Regulations and Applicable Reliability Standards.

### 9.2 ~~9.2~~ NYISO and Connecting Transmission Owner Obligations.

Connecting Transmission Owner and NYISO shall cause the New York State Transmission System and the Connecting Transmission Owner's Attachment Facilities to be operated, maintained and controlled in a safe and reliable manner in accordance with this Agreement and the NYISO Tariffs. Connecting Transmission Owner and NYISO may provide operating instructions to ~~Developer~~Interconnection Customer consistent with this Agreement, NYISO procedures and Connecting Transmission Owner's operating protocols and procedures as they may change from time to time. Connecting Transmission Owner and NYISO will consider

changes to their respective operating protocols and procedures proposed by ~~Developer~~Interconnection Customer.

### 9.3 ~~9.3~~ DeveloperInterconnection Customer Obligations.

~~Developer~~Interconnection Customer shall at its own expense operate, maintain and control the Large Generating Facility and the ~~Developer~~Interconnection Customer Attachment Facilities in a safe and reliable manner and in accordance with this Agreement.

~~Developer~~Interconnection Customer shall operate the Large Generating Facility and the ~~Developer~~Interconnection Customer Attachment Facilities in accordance with NYISO and Connecting Transmission Owner requirements, as such requirements are set forth or referenced in Appendix C hereto. Appendix C will be modified to reflect changes to the requirements as they may change from time to time. Any Party may request that the appropriate other Party or Parties provide copies of the requirements set forth or referenced in Appendix C hereto.

### 9.4 ~~9.4~~ Start-Up and Synchronization.

Consistent with the mutually acceptable procedures of the ~~Developer~~Interconnection Customer and Connecting Transmission Owner, the ~~Developer~~Interconnection Customer is responsible for the proper synchronization of the Large Generating Facility to the New York State Transmission System in accordance with NYISO and Connecting Transmission Owner procedures and requirements.

### 9.5 ~~9.5~~ Real and Reactive Power Control.

#### 9.5.1 ~~9.5.1~~ Power Factor Design Criteria.

~~Developer~~Interconnection Customer shall design the Large Generating Facility to maintain an effective power delivery at demonstrated maximum net capability at the Point of Interconnection at a power factor within the range established by the Connecting Transmission Owner on a comparable basis, until NYISO has established different requirements that apply to all generators in the New York Control Area on a comparable basis.

The ~~Developer~~Interconnection Customer shall design and maintain the plant auxiliary systems to operate safely throughout the entire real and reactive power design range.

The Connecting Transmission Owner shall not unreasonably restrict or condition the reactive power production or absorption of the Large Generating Facility in accordance with Good Utility Practice.

#### 9.5.2 ~~9.5.2~~ Voltage Schedules.

Once the ~~Developer~~Interconnection Customer has synchronized the Large Generating Facility with the New York State Transmission System, NYISO shall require ~~Developer~~Interconnection Customer to operate the Large Generating Facility to produce or absorb reactive power within the design capability of the Large Generating Facility set forth in Article 9.5.1 (Power Factor Design Criteria). NYISO's voltage schedules shall treat all sources

of reactive power in the New York Control Area in an equitable and not unduly discriminatory manner. NYISO shall exercise Reasonable Efforts to provide ~~Developer~~Interconnection Customer with such schedules in accordance with NYISO procedures, and may make changes to such schedules as necessary to maintain the reliability of the New York State Transmission System. ~~Developer~~Interconnection Customer shall operate the Large Generating Facility to maintain the specified output voltage or power factor at the Point of Interconnection within the design capability of the Large Generating Facility set forth in Article 9.5.1 (Power Factor Design Criteria) as directed by the Connecting Transmission Owner's System Operator or the NYISO. If ~~Developer~~Interconnection Customer is unable to maintain the specified voltage or power factor, it shall promptly notify NYISO.

### 9.5.3 ~~9.5.3~~ **Payment for Reactive Power.**

NYISO shall pay ~~Developer~~Interconnection Customer for reactive power or voltage support service that ~~Developer~~Interconnection Customer provides from the Large Generating Facility in accordance with the provisions of Rate Schedule 2 of the NYISO Services Tariff.

### 9.5.4 ~~9.5.4~~ **Governors and Regulators.**

Whenever the Large Generating Facility is operated in parallel with the New York State Transmission System, the turbine speed governors and automatic voltage regulators shall be in automatic operation at all times. If the Large Generating Facility's speed governors or automatic voltage regulators are not capable of such automatic operation, the ~~Developer~~Interconnection Customer shall immediately notify NYISO, or its designated representative, and ensure that such Large Generating Facility's real and reactive power are within the design capability of the Large Generating Facility's generating unit(s) and steady state stability limits and NYISO system operating (thermal, voltage and transient stability) limits. ~~Developer~~Interconnection Customer shall not cause its Large Generating Facility to disconnect automatically or instantaneously from the New York State Transmission System or trip any generating unit comprising the Large Generating Facility for an under or over frequency condition unless the abnormal frequency condition persists for a time period beyond the limits set forth in ANSI/IEEE Standard C37.106, or such other standard as applied to other generators in the New York Control Area on a comparable basis.

## 9.6 ~~9.6~~ **Outages and Interruptions.**

### 9.6.1 ~~9.6.1~~ **Outages.**

9.6.1.1 ~~9.6.1.1~~ **Outage Authority and Coordination.** Interconnection Customer ~~Developer~~ and Connecting Transmission Owner may each, in accordance with NYISO procedures and Good Utility Practice and in coordination with the other Party, remove from service any of its respective Attachment Facilities or System Upgrade Facilities and System Deliverability Upgrades that may impact the other Party's facilities as necessary to perform maintenance or testing or to install or replace equipment. Absent an Emergency State, the Party scheduling a removal of such facility(ies) from service will use Reasonable Efforts to schedule such removal on a date and time mutually acceptable to both the ~~Developer~~Interconnection

Customer and the Connecting Transmission Owner. In all circumstances either Party planning to remove such facility(ies) from service shall use Reasonable Efforts to minimize the effect on the other Party of such removal.

9.6.1.2 ~~9.6.1.2~~ **Outage Schedules.** The Connecting Transmission Owner shall post scheduled outages of its transmission facilities on the NYISO OASIS.

~~Developer~~Interconnection Customer shall submit its planned maintenance schedules for the Large Generating Facility to Connecting Transmission Owner and NYISO for a minimum of a rolling thirty-six month period. ~~Developer~~Interconnection Customer shall update its planned maintenance schedules as necessary. NYISO may direct, or the Connecting Transmission Owner may request, ~~Developer~~Interconnection Customer to reschedule its maintenance as necessary to maintain the reliability of the New York State Transmission System. Compensation to ~~Developer~~Interconnection Customer for any additional direct costs that the ~~Developer~~Interconnection Customer incurs as a result of rescheduling maintenance, including any additional overtime, breaking of maintenance contracts or other costs above and beyond the cost the ~~Developer~~Interconnection Customer would have incurred absent the request to reschedule maintenance, shall be in accordance with the NYISO OATT.

~~Developer~~Interconnection Customer will not be eligible to receive compensation, if during the twelve (12) months prior to the date of the scheduled maintenance, the ~~Developer~~Interconnection Customer had modified its schedule of maintenance activities other than at the direction of the NYISO or request of the Connecting Transmission Owner.

9.6.1.3 ~~9.6.1.3~~ **Outage Restoration.** If an outage on the Attachment Facilities or System Upgrade Facilities or System Deliverability Upgrades of the Connecting Transmission Owner or ~~Developer~~Interconnection Customer adversely affects the other Party's operations or facilities, the Party that owns the facility that is out of service shall use Reasonable Efforts to promptly restore such facility(ies) to a normal operating condition consistent with the nature of the outage. The Party that owns the facility that is out of service shall provide the other Party and NYISO, to the extent such information is known, information on the nature of the Emergency State, an estimated time of restoration, and any corrective actions required. Initial verbal notice shall be followed up as soon as practicable with written notice explaining the nature of the outage.

9.6.2 ~~9.6.2~~ **Interruption of Service.** If required by Good Utility Practice or Applicable Reliability Standards to do so, the NYISO or Connecting Transmission Owner may require ~~Developer~~Interconnection Customer to interrupt or reduce production of electricity if such production of electricity could adversely affect the ability of NYISO and Connecting Transmission Owner to perform such activities as are necessary to safely and reliably operate and maintain the New York State Transmission System. The following provisions shall apply to any interruption or reduction permitted under this Article 9.6.2:

9.6.2.1 ~~9.6.2.1~~ The interruption or reduction shall continue only for so long as reasonably necessary under Good Utility Practice;



9.6.2.2 ~~9.6.2.2~~ Any such interruption or reduction shall be made on an equitable, non-discriminatory basis with respect to all generating facilities directly connected to the New York State Transmission System;

9.6.2.3 ~~9.6.2.3~~ When the interruption or reduction must be made under circumstances which do not allow for advance notice, NYISO or Connecting Transmission Owner shall notify ~~Developer~~Interconnection Customer by telephone as soon as practicable of the reasons for the curtailment, interruption, or reduction, and, if known, its expected duration. Telephone notification shall be followed by written notification as soon as practicable;

9.6.2.4 ~~9.6.2.4~~ Except during the existence of an Emergency State, when the interruption or reduction can be scheduled without advance notice, NYISO or Connecting Transmission Owner shall notify ~~Developer~~Interconnection Customer in advance regarding the timing of such scheduling and further notify ~~Developer~~Interconnection Customer of the expected duration. NYISO or Connecting Transmission Owner shall coordinate with each other and the ~~Developer~~Interconnection Customer using Good Utility Practice to schedule the interruption or reduction during periods of least impact to the ~~Developer~~Interconnection Customer, the Connecting Transmission Owner and the New York State Transmission System;

9.6.2.5 ~~9.6.2.5~~ The Parties shall cooperate and coordinate with each other to the extent necessary in order to restore the Large Generating Facility, Attachment Facilities, and the New York State Transmission System to their normal operating state, consistent with system conditions and Good Utility Practice.

### 9.6.3 ~~9.6.3~~ **Under-Frequency and Over Frequency Conditions.**

The New York State Transmission System is designed to automatically activate a load-shed program as required by the NPCC in the event of an under-frequency system disturbance. ~~Developer~~Interconnection Customer shall implement under-frequency and over-frequency relay set points for the Large Generating Facility as required by the NPCC to ensure “ride through” capability of the New York State Transmission System. Large Generating Facility response to frequency deviations of predetermined magnitudes, both under-frequency and over-frequency deviations, shall be studied and coordinated with the NYISO and Connecting Transmission Owner in accordance with Good Utility Practice. The term “ride through” as used herein shall mean the ability of a Generating Facility to stay connected to and synchronized with the New York State Transmission System during system disturbances within a range of under-frequency and over-frequency conditions, in accordance with Good Utility Practice and with NPCC Regional Reliability Reference Directory # 12.

### 9.6.4 ~~9.6.4~~ **System Protection and Other Control Requirements.**

9.6.4.1 ~~9.6.4.1~~ **System Protection Facilities.** ~~Developer~~Interconnection Customer shall, at its expense, install, operate and maintain System Protection Facilities as a part of the Large Generating Facility or ~~Developer~~Interconnection Customer Attachment Facilities. Connecting Transmission Owner shall install at ~~Developer's~~Interconnection Customer's expense any System Protection Facilities that may be required on the Connecting Transmission Owner



Attachment Facilities or the New York State Transmission System as a result of the interconnection of the Large Generating Facility and ~~Developer~~Interconnection Customer Attachment Facilities.

~~9.6.4.2~~ 9.6.4.2 The protection facilities of both the ~~Developer~~Interconnection Customer and Connecting Transmission Owner shall be designed and coordinated with other systems in accordance with Good Utility Practice and Applicable Reliability Standards.

~~9.6.4.3~~ 9.6.4.3 The ~~Developer~~Interconnection Customer and Connecting Transmission Owner shall each be responsible for protection of its respective facilities consistent with Good Utility Practice and Applicable Reliability Standards.

~~9.6.4.4~~ 9.6.4.4 The protective relay design of the ~~Developer~~Interconnection Customer and Connecting Transmission Owner shall each incorporate the necessary test switches to perform the tests required in Article 6 of this Agreement. The required test switches will be placed such that they allow operation of lockout relays while preventing breaker failure schemes from operating and causing unnecessary breaker operations and/or the tripping of the ~~Developer's~~Interconnection Customer's Large Generating Facility.

~~9.6.4.5~~ 9.6.4.5 The ~~Developer~~Interconnection Customer and Connecting Transmission Owner will each test, operate and maintain System Protection Facilities in accordance with Good Utility Practice and NPCC criteria.

~~9.6.4.6~~ 9.6.4.6 Prior to the In-Service Date, and again prior to the Commercial Operation Date, the ~~Developer~~Interconnection Customer and Connecting Transmission Owner shall each perform, or their agents shall perform, a complete calibration test and functional trip test of the System Protection Facilities. At intervals suggested by Good Utility Practice and following any apparent malfunction of the System Protection Facilities, the ~~Developer~~Interconnection Customer and Connecting Transmission Owner shall each perform both calibration and functional trip tests of its System Protection Facilities. These tests do not require the tripping of any in-service generation unit. These tests do, however, require that all protective relays and lockout contacts be activated.

#### ~~9.6.5~~ 9.6.5 **Requirements for Protection.**

In compliance with NPCC requirements and Good Utility Practice, - ~~Developer~~Interconnection Customer shall provide, install, own, and maintain relays, circuit breakers and all other devices necessary to remove any fault contribution of the Large Generating Facility to any short circuit occurring on the New York State Transmission System not otherwise isolated by Connecting Transmission Owner's equipment, such that the removal of the fault contribution shall be coordinated with the protective requirements of the New York State Transmission System. Such protective equipment shall include, without limitation, a disconnecting device or switch with load-interrupting capability located between the Large Generating Facility and the New York State Transmission System at a site selected upon mutual

agreement (not to be unreasonably withheld, conditioned or delayed) of the ~~Developer~~Interconnection Customer and Connecting Transmission Owner. ~~Developer~~Interconnection Customer shall be responsible for protection of the Large Generating Facility and ~~Developer's~~Interconnection Customer's other equipment from such conditions as negative sequence currents, over- or under-frequency, sudden load rejection, over- or under-voltage, and generator loss-of-field. ~~Developer~~Interconnection Customer shall be solely responsible to disconnect the Large Generating Facility and ~~Developer's~~Interconnection Customer's other equipment if conditions on the New York State Transmission System could adversely affect the Large Generating Facility.

#### 9.6.6 ~~9.6.6~~ **Power Quality.**

Neither the facilities of ~~Developer~~Interconnection Customer nor the facilities of Connecting Transmission Owner shall cause excessive voltage flicker nor introduce excessive distortion to the sinusoidal voltage or current waves as defined by ANSI Standard C84.1-1989, in accordance with IEEE Standard 519, or any applicable superseding electric industry standard. In the event of a conflict between ANSI Standard C84.1-1989, or any applicable superseding electric industry standard, ANSI Standard C84.1-1989, or the applicable superseding electric industry standard, shall control.

#### 9.7 ~~9.7~~ **Switching and Tagging Rules.**

The ~~Developer~~Interconnection Customer and Connecting Transmission Owner shall each provide the other Party a copy of its switching and tagging rules that are applicable to the other Party's activities. Such switching and tagging rules shall be developed on a nondiscriminatory basis. The Parties shall comply with applicable switching and tagging rules, as amended from time to time, in obtaining clearances for work or for switching operations on equipment.

#### 9.8 ~~9.8~~ **Use of Attachment Facilities by Third Parties.**

##### 9.8.1 ~~9.8.1~~ **Purpose of Attachment Facilities.**

Except as may be required by Applicable Laws and Regulations, or as otherwise agreed to among the Parties, the Attachment Facilities shall be constructed for the sole purpose of interconnecting the Large Generating Facility to the New York State Transmission System and shall be used for no other purpose.

##### 9.8.2 ~~9.8.2~~ **Third Party Users.**

If required by Applicable Laws and Regulations or if the Parties mutually agree, such agreement not to be unreasonably withheld, to allow one or more third parties to use the Connecting Transmission Owner's Attachment Facilities, or any part thereof, - ~~Developer~~Interconnection Customer will be entitled to compensation for the capital expenses it incurred in connection with the Attachment Facilities based upon the pro rata use of the Attachment Facilities by Connecting Transmission Owner, all third party users, and ~~Developer~~Interconnection Customer, in accordance with Applicable Laws and Regulations or

upon some other mutually-agreed upon methodology. In addition, cost responsibility for ongoing costs, including operation and maintenance costs associated with the Attachment Facilities, will be allocated between ~~Developer~~Interconnection Customer and any third party users based upon the pro rata use of the Attachment Facilities by Connecting Transmission Owner, all third party users, and ~~Developer~~Interconnection Customer, in accordance with Applicable Laws and Regulations or upon some other mutually agreed upon methodology. If the issue of such compensation or allocation cannot be resolved through such negotiations, it shall be submitted to FERC for resolution.

#### 9.9 ~~9.9~~ **Disturbance Analysis Data Exchange.**

The Parties will cooperate with one another and the NYISO in the analysis of disturbances to either the Large Generating Facility or the New York State Transmission System by gathering and providing access to any information relating to any disturbance, including information from disturbance recording equipment, protective relay targets, breaker operations and sequence of events records, and any disturbance information required by Good Utility Practice.

### Article 10. ~~ARTICLE 10.~~ **Maintenance**

#### 10.1 ~~10.1~~ **Connecting Transmission Owner Obligations.**

Connecting Transmission Owner shall maintain its transmission facilities and Attachment Facilities in a safe and reliable manner and in accordance with this Agreement.

#### 10.2 ~~10.2~~ **~~Developer~~Interconnection Customer Obligations.**

~~Developer~~Interconnection Customer shall maintain its Large Generating Facility and Attachment Facilities in a safe and reliable manner and in accordance with this Agreement.

#### 10.3 ~~10.3~~ **Coordination.**

The ~~Developer~~Interconnection Customer and Connecting Transmission Owner shall confer regularly to coordinate the planning, scheduling and performance of preventive and corrective maintenance on the Large Generating Facility and the Attachment Facilities. The ~~Developer~~Interconnection Customer and Connecting Transmission Owner shall keep NYISO fully informed of the preventive and corrective maintenance that is planned, and shall schedule all such maintenance in accordance with NYISO procedures.

#### 10.4 ~~10.4~~ **Secondary Systems.**

The ~~Developer~~Interconnection Customer and Connecting Transmission Owner shall each cooperate with the other in the inspection, maintenance, and testing of control or power circuits that operate below 600 volts, AC or DC, including, but not limited to, any hardware, control or protective devices, cables, conductors, electric raceways, secondary equipment panels, transducers, batteries, chargers, and voltage and current transformers that directly affect the operation of ~~Developer~~Interconnection Customer or Connecting Transmission Owner's facilities and equipment which may reasonably be expected to impact the other Party. The

~~Developer~~Interconnection Customer and Connecting Transmission Owner shall each provide advance notice to the other Party, and to NYISO, before undertaking any work on such circuits, especially on electrical circuits involving circuit breaker trip and close contacts, current transformers, or potential transformers.

10.5 ~~10.5~~ **Operating and Maintenance Expenses.**

Subject to the provisions herein addressing the use of facilities by others, and except for operations and maintenance expenses associated with modifications made for providing interconnection or transmission service to a third party and such third party pays for such expenses, ~~Developer~~Interconnection Customer shall be responsible for all reasonable expenses including overheads, associated with: (1) owning, operating, maintaining, repairing, and replacing ~~Developer~~Interconnection Customer Attachment Facilities; and (2) operation, maintenance, repair and replacement of Connecting Transmission Owner's Attachment Facilities. The Connecting Transmission Owner shall be entitled to the recovery of incremental operating and maintenance expenses that it incurs associated with System Upgrade Facilities and System Deliverability Upgrades if and to the extent provided for under Attachment S to the NYISO OATT.

Article 11. ~~ARTICLE 11.~~ **Performance Obligation**

11.1 ~~11.1~~ **~~Developer~~Interconnection Customer Attachment Facilities.**

~~Developer~~Interconnection Customer shall design, procure, construct, install, own and/or control the ~~Developer~~Interconnection Customer Attachment Facilities described in Appendix A hereto, at its sole expense.

11.2 ~~11.2~~ **Connecting Transmission Owner's Attachment Facilities.**

Connecting Transmission Owner shall design, procure, construct, install, own and/or control the Connecting Transmission Owner's Attachment Facilities described in Appendix A hereto, at the sole expense of the ~~Developer~~Interconnection Customer.

11.3 ~~11.3~~ **System Upgrade Facilities and System Deliverability Upgrades.**

Connecting Transmission Owner shall design, procure, construct, install, and own the System Upgrade Facilities and System Deliverability Upgrades described in Appendix A hereto. The responsibility of the ~~Developer~~Interconnection Customer for costs related to System Upgrade Facilities and System Deliverability Upgrades shall be determined in accordance with the provisions of Attachment S to the NYISO OATT.

11.4 ~~11.4~~ **Special Provisions for Affected Systems.**

For the re-payment of amounts advanced to Affected System Operator for System Upgrade Facilities or System Deliverability Upgrades, the ~~Developer~~Interconnection Customer and Affected System Operator shall enter into an agreement that provides for such re-payment, but only if responsibility for the cost of such System Upgrade Facilities or System Deliverability Upgrades is not to be allocated in accordance with Attachment S to the NYISO OATT. The

agreement shall specify the terms governing payments to be made by the ~~Developer~~Interconnection Customer to the Affected System Operator as well as the re-payment by the Affected System Operator.

#### 11.5 ~~11.5~~ **Provision of Security.**

At least thirty (30) Calendar Days prior to the commencement of the procurement, installation, or construction of a discrete portion of a Connecting Transmission Owner's Attachment Facilities, ~~Developer~~Interconnection Customer shall provide Connecting Transmission Owner, at ~~Developer's~~Interconnection Customer's option, a guarantee, a surety bond, letter of credit or other form of security that is reasonably acceptable to Connecting Transmission Owner and is consistent with the Uniform Commercial Code of the jurisdiction identified in Article 14.2.1 of this Agreement. Such security for payment shall be in an amount sufficient to cover the cost for the ~~Developer's~~Interconnection Customer's share of constructing, procuring and installing the applicable portion of Connecting Transmission Owner's Attachment Facilities, and shall be reduced on a dollar-for-dollar basis for payments made to Connecting Transmission Owner for these purposes.

In addition:

11.5.1 The guarantee must be made by an entity that meets the commercially reasonable creditworthiness requirements of Connecting Transmission Owner, and contains terms and conditions that guarantee payment of any amount that may be due from ~~Developer~~Interconnection Customer, up to an agreed-to maximum amount.

11.5.2 The letter of credit must be issued by a financial institution reasonably acceptable to Connecting Transmission Owner and must specify a reasonable expiration date.

11.5.3 The surety bond must be issued by an insurer reasonably acceptable to Connecting Transmission Owner and must specify a reasonable expiration date.

11.5.4 Attachment S to the NYISO OATT shall govern the Security that ~~Developer~~Interconnection Customer provides for System Upgrade Facilities and System Deliverability Upgrades.

#### 11.6 ~~11.6~~ **~~Developer~~Interconnection Customer Compensation for Emergency Services.**

If, during an Emergency State, the ~~Developer~~Interconnection Customer provides services at the request or direction of the NYISO or Connecting Transmission Owner, the ~~Developer~~Interconnection Customer will be compensated for such services in accordance with the NYISO Services Tariff.

#### 11.7 ~~11.7~~ **Line Outage Costs.**

Notwithstanding anything in the NYISO OATT to the contrary, the Connecting Transmission Owner may propose to recover line outage costs associated with the installation of

Connecting Transmission Owner's Attachment Facilities or System Upgrade Facilities or System Deliverability Upgrades on a case-by-case basis.

**Article 12.** ~~ARTICLE 12.~~ **INVOICE**

**12.1** ~~12.1~~ **General.**

The ~~Developer~~Interconnection Customer and Connecting Transmission Owner shall each submit to the other Party, on a monthly basis, invoices of amounts due for the preceding month. Each invoice shall state the month to which the invoice applies and fully describe the services and equipment provided. The ~~Developer~~Interconnection Customer and Connecting Transmission Owner may discharge mutual debts and payment obligations due and owing to each other on the same date through netting, in which case all amounts one Party owes to the other Party under this Agreement, including interest payments or credits, shall be netted so that only the net amount remaining due shall be paid by the owing Party.

**12.2** ~~12.2~~ **Final Invoice.**

Within six months after completion of the construction of the Connecting Transmission Owner's Attachment Facilities and the System Upgrade Facilities and System Deliverability Upgrades, Connecting Transmission Owner shall provide an invoice of the final cost of the construction of the Connecting Transmission Owner's Attachment Facilities and the System Upgrade Facilities and System Deliverability Upgrades, determined in accordance with Attachment S to the NYISO OATT, and shall set forth such costs in sufficient detail to enable ~~Developer~~Interconnection Customer to compare the actual costs with the estimates and to ascertain deviations, if any, from the cost estimates. Connecting Transmission Owner shall refund to ~~Developer~~Interconnection Customer any amount by which the actual payment by ~~Developer~~Interconnection Customer for estimated costs exceeds the actual costs of construction within thirty (30) Calendar Days of the issuance of such final construction invoice.

**12.3** ~~12.3~~ **Payment.**

Invoices shall be rendered to the paying Party at the address specified in Appendix F hereto. The Party receiving the invoice shall pay the invoice within thirty (30) Calendar Days of receipt. All payments shall be made in immediately available funds payable to the other Party, or by wire transfer to a bank named and account designated by the invoicing Party. Payment of invoices will not constitute a waiver of any rights or claims the paying Party may have under this Agreement.

**12.4** ~~12.4~~ **Disputes.**

In the event of a billing dispute between Connecting Transmission Owner and ~~Developer~~Interconnection Customer, Connecting Transmission Owner shall continue to perform under this Agreement as long as ~~Developer~~Interconnection Customer: (i) continues to make all payments not in dispute; and (ii) pays to Connecting Transmission Owner or into an independent escrow account the portion of the invoice in dispute, pending resolution of such dispute. If ~~Developer~~Interconnection Customer fails to meet these two requirements for continuation of



service, then Connecting Transmission Owner may provide notice to ~~Developer~~Interconnection Customer of a Default pursuant to Article 17. Within thirty (30) Calendar Days after the resolution of the dispute, the Party that owes money to the other Party shall pay the amount due with interest calculated in accord with the methodology set forth in FERC's Regulations at 18 C.F.R. § 35.19a(a)(2)(iii).

## Article 13. ~~ARTICLE 13.~~ EMERGENCIES

### 13.1 ~~13.1~~ — Obligations.

Each Party shall comply with the Emergency State procedures of NYISO, the applicable Reliability Councils, Applicable Laws and Regulations, and any emergency procedures agreed to by the NYISO Operating Committee.

### 13.2 ~~13.2~~ — Notice.

NYISO or, as applicable, Connecting Transmission Owner shall notify - ~~Developer~~Interconnection Customer promptly when it becomes aware of an Emergency State that affects the Connecting Transmission Owner's Attachment Facilities or the New York State Transmission System that may reasonably be expected to affect ~~Developer's~~Interconnection Customer's operation of the Large Generating Facility or the ~~Developer's~~Interconnection Customer's Attachment Facilities. ~~Developer~~Interconnection Customer shall notify NYISO and Connecting Transmission Owner promptly when it becomes aware of an Emergency State that affects the Large Generating Facility or the ~~Developer~~Interconnection Customer Attachment Facilities that may reasonably be expected to affect the New York State Transmission System or the Connecting Transmission Owner's Attachment Facilities. To the extent information is known, the notification shall describe the Emergency State, the extent of the damage or deficiency, the expected effect on the operation of ~~Developer's~~Interconnection Customer's or Connecting Transmission Owner's facilities and operations, its anticipated duration and the corrective action taken and/or to be taken. The initial notice shall be followed as soon as practicable with written notice.

### 13.3 ~~13.3~~ — Immediate Action.

Unless, in ~~Developer's~~Interconnection Customer's reasonable judgment, immediate action is required, ~~Developer~~Interconnection Customer shall obtain the consent of Connecting Transmission Owner, such consent to not be unreasonably withheld, prior to performing any manual switching operations at the Large Generating Facility or the ~~Developer~~Interconnection Customer Attachment Facilities in response to an Emergency State either declared by NYISO, Connecting Transmission Owner or otherwise regarding New York State Transmission System.

### 13.4 ~~13.4~~ — NYISO and Connecting Transmission Owner Authority.

#### 13.4.1 ~~13.4.1~~ — General.

NYISO or Connecting Transmission Owner may take whatever actions with regard to the New York State Transmission System or the Connecting Transmission Owner's Attachment



Facilities it deems necessary during an Emergency State in order to (i) preserve public health and safety, (ii) preserve the reliability of the New York State Transmission System or the Connecting Transmission Owner's Attachment Facilities, (iii) limit or prevent damage, and (iv) expedite restoration of service.

NYISO and Connecting Transmission Owner shall use Reasonable Efforts to minimize the effect of such actions or inactions on the Large Generating Facility or the ~~Developer~~Interconnection Customer Attachment Facilities. NYISO or Connecting Transmission Owner may, on the basis of technical considerations, require the Large Generating Facility to mitigate an Emergency State by taking actions necessary and limited in scope to remedy the Emergency State, including, but not limited to, directing ~~Developer~~Interconnection Customer to shut-down, start-up, increase or decrease the real or reactive power output of the Large Generating Facility; implementing a reduction or disconnection pursuant to Article 13.4.2; directing the ~~Developer~~Interconnection Customer to assist with blackstart (if available) or restoration efforts; or altering the outage schedules of the Large Generating Facility and the ~~Developer~~Interconnection Customer Attachment Facilities. ~~Developer~~Interconnection Customer shall comply with all of the NYISO and Connecting Transmission Owner's operating instructions concerning Large Generating Facility real power and reactive power output within the manufacturer's design limitations of the Large Generating Facility's equipment that is in service and physically available for operation at the time, in compliance with Applicable Laws and Regulations.

#### 13.4.2 — ~~13.4.2~~ **Reduction and Disconnection.**

NYISO or Connecting Transmission Owner may reduce ~~{~~ ~~—————~~ ~~}~~ Capacity Resource Interconnection Service and/or Energy Resource Interconnection Service or disconnect the Large Generating Facility or the ~~Developer~~Interconnection Customer's Attachment Facilities, when such reduction or disconnection is necessary under Good Utility Practice due to an Emergency State. These rights are separate and distinct from any right of Curtailment of NYISO pursuant to the NYISO OATT. When NYISO or Connecting Transmission Owner can schedule the reduction or disconnection in advance, NYISO or Connecting Transmission Owner shall notify ~~Developer~~Interconnection Customer of the reasons, timing and expected duration of the reduction or disconnection. NYISO or Connecting Transmission Owner shall coordinate with the ~~Developer~~Interconnection Customer using Good Utility Practice to schedule the reduction or disconnection during periods of least impact to the ~~Developer~~Interconnection Customer and the New York State Transmission System. Any reduction or disconnection shall continue only for so long as reasonably necessary under Good Utility Practice. The Parties shall cooperate with each other to restore the Large Generating Facility, the Attachment Facilities, and the New York State Transmission System to their normal operating state as soon as practicable consistent with Good Utility Practice.

#### 13.5 ~~13.5~~ — ~~Developer~~Interconnection Customer **Authority.**

Consistent with Good Utility Practice and this Agreement, the ~~Developer~~Interconnection Customer may take whatever actions or inactions with regard to the Large Generating Facility or the ~~Developer~~Interconnection Customer Attachment Facilities during an Emergency State in

order to (i) preserve public health and safety, (ii) preserve the reliability of the Large Generating Facility or the ~~Developer~~Interconnection Customer Attachment Facilities, (iii) limit or prevent damage, and (iv) expedite restoration of service. ~~Developer~~Interconnection Customer shall use Reasonable Efforts to minimize the effect of such actions or inactions on the New York State Transmission System and the Connecting Transmission Owner's Attachment Facilities. NYISO and Connecting Transmission Owner shall use Reasonable Efforts to assist ~~Developer~~Interconnection Customer in such actions.

### 13.6 ~~13.6~~ **Limited Liability.**

Except as otherwise provided in Article 11.6 of this Agreement, no Party shall be liable to another Party for any action it takes in responding to an Emergency State so long as such action is made in good faith and is consistent with Good Utility Practice and the NYISO Tariffs.

## Article 14. ~~ARTICLE 14.~~ **Regulatory Requirements And Governing Law**

### 14.1 ~~14.1~~ **Regulatory Requirements.**

Each Party's obligations under this Agreement shall be subject to its receipt of any required approval or certificate from one or more Governmental Authorities in the form and substance satisfactory to the applying Party, or the Party making any required filings with, or providing notice to, such Governmental Authorities, and the expiration of any time period associated therewith. Each Party shall in good faith seek and use its Reasonable Efforts to obtain such other approvals. Nothing in this Agreement shall require ~~Developer~~Interconnection Customer to take any action that could result in its inability to obtain, or its loss of, status or exemption under the Federal Power Act or the Public Utility Holding Company Act of 2005 or the Public Utility Regulatory Policies Act of 1978, as amended.

### 14.2 ~~14.2~~ **Governing Law.**

14.2.1 ~~14.2.1~~ The validity, interpretation and performance of this Agreement and each of its provisions shall be governed by the laws of the state of New York, without regard to its conflicts of law principles.

14.2.2 ~~14.2.2~~ This Agreement is subject to all Applicable Laws and Regulations.

14.2.3 ~~14.2.3~~ Each Party expressly reserves the right to seek changes in, appeal, or otherwise contest any laws, orders, rules, or regulations of a Governmental Authority.

## Article 15. ~~ARTICLE 15.~~ **NOTICES**

### 15.1 ~~15.1~~ **General.**

Unless otherwise provided in this Agreement, any notice, demand or request required or permitted to be given by a Party to the other ~~Parties~~Party and any instrument required or permitted to be tendered or delivered by a Party in writing to the other ~~Parties~~Party shall be effective when delivered and may be so given, tendered or delivered, by recognized national

courier, or by depositing the same with the United States Postal Service with postage prepaid, for delivery by certified or registered mail, addressed to the Party, or personally delivered to the Party, at the address set out in Appendix F hereto.

A Party may change the notice information in this Agreement by giving five (5) Business Days written notice prior to the effective date of the change.

#### 15.2 ~~15.2~~ **Billings and Payments.**

Billings and payments shall be sent to the addresses set out in Appendix F hereto.

#### 15.3 ~~15.3~~ **Alternative Forms of Notice.**

Any notice or request required or permitted to be given by a Party to the other - ~~Parties~~ Party and not required by this Agreement to be given in writing may be so given by telephone, facsimile or email to the telephone numbers and email addresses set out in Appendix F hereto.

#### 15.4 ~~15.4~~ **Operations and Maintenance Notice.**

~~Developer~~ Interconnection Customer and Connecting Transmission Owner shall each notify the other Party, and NYISO, in writing of the identity of the person(s) that it designates as the point(s) of contact with respect to the implementation of Articles 9 and 10 of this Agreement.

### Article 16. ~~ARTICLE 16.~~ **Force Majeure**

#### 16.1 ~~16.1~~ **Force Majeure.**

16.1.1 ~~16.1.1~~ Economic hardship is not considered a Force Majeure event.

**16.1.2** A Party shall not be responsible or liable, or deemed, in Default with respect to any obligation hereunder, (including obligations under Article 4 of this Agreement) , other than the obligation to pay money when due, to the extent the Party is prevented from fulfilling such obligation by Force Majeure. A Party unable to fulfill any obligation hereunder (other than an obligation to pay money when due) by reason of Force Majeure shall give notice and the full particulars of such Force Majeure to the other ~~Parties~~ Party in writing or by telephone as soon as reasonably possible after the occurrence of the cause relied upon. Telephone notices given pursuant to this Article shall be confirmed in writing as soon as reasonably possible and shall specifically state full particulars of the Force Majeure, the time and date when the Force Majeure occurred and when the Force Majeure is reasonably expected to cease. The Party affected shall exercise due diligence to remove such disability with reasonable dispatch, but shall not be required to accede or agree to any provision not satisfactory to it in order to settle and terminate a strike or other labor disturbance.

**Article 17. ~~ARTICLE 17.~~ DEFAULT**

**17.1 ~~17.1~~ Default.**

**17.1.1 ~~17.1.1~~ General.**

No Breach shall exist where such failure to discharge an obligation (other than the payment of money) is the result of Force Majeure as defined in this Agreement or the result of an act or omission of the other ~~Parties~~ Party. Upon a Breach, the non-Breaching Parties shall give written notice of such to the Breaching Party. The Breaching Party shall have thirty (30) Calendar Days from receipt of the Breach notice within which to cure such Breach; provided however, if such Breach is not capable of cure within thirty (30) Calendar Days, the Breaching Party shall commence such cure within thirty (30) Calendar Days after notice and continuously and diligently complete such cure within ninety (90) Calendar Days from receipt of the Breach notice; and, if cured within such time, the Breach specified in such notice shall cease to exist.

**17.1.2 ~~17.1.2~~ Right to Terminate.**

If a Breach is not cured as provided in this Article 17, or if a Breach is not capable of being cured within the period provided for herein, the non-Breaching ~~Parties acting together~~ Party shall thereafter have the right to declare a Default and terminate this Agreement by written notice at any time until cure occurs, and be relieved of any further obligation hereunder and, whether or not those Parties terminate this Agreement, to recover from the defaulting Party all amounts due hereunder, plus all other damages and remedies to which they are entitled at law or in equity. The provisions of this Article will survive termination of this Agreement.

**Article 18. ~~ARTICLE 18.~~ Indemnity, Consequential Damages And Insurance**

**18.1 ~~18.1~~ Indemnity.**

Each Party (the “Indemnifying Party”) shall at all times indemnify, defend, and save harmless, as applicable, the other ~~Parties (each an~~ Party’s (the “Indemnified Party”) from, any and all damages, losses, claims, including claims and actions relating to injury to or death of any person or damage to property, the alleged violation of any Environmental Law, or the release or threatened release of any Hazardous Substance, demand, suits, recoveries, costs and expenses, court costs, attorney fees, and all other obligations by or to third parties, arising out of or resulting from (i) the Indemnified Party’s performance of its obligations under this Agreement on behalf of the Indemnifying Party, except in cases where the Indemnifying Party can demonstrate that the Loss of the Indemnified Party was caused by the gross negligence or intentional wrongdoing of the Indemnified Party or (ii) the violation by the Indemnifying Party of any Environmental Law or the release by the Indemnifying Party of any Hazardous Substance.

**18.1.1 ~~18.1.1~~ Indemnified Party.**

If a Party is entitled to indemnification under this Article 18 as a result of a claim by a third party, and the indemnifying Party fails, after notice and reasonable opportunity to proceed under Article 18.1.3, to assume the defense of such claim, such Indemnified Party may at the

expense of the Indemnifying Party contest, settle or consent to the entry of any judgment with respect to, or pay in full, such claim.

**18.1.2 —~~18.1.2~~ Indemnifying Party.**

If an Indemnifying Party is obligated to indemnify and hold any Indemnified Party harmless under this Article 18, the amount owing to the Indemnified Party shall be the amount of such Indemnified Party's actual Loss, net of any insurance or other recovery.

**18.1.3 —~~18.1.3~~ Indemnity Procedures.**

Promptly after receipt by an Indemnified Party of any claim or notice of the commencement of any action or administrative or legal proceeding or investigation as to which the indemnity provided for in Article 18.1 may apply, the Indemnified Party shall notify the Indemnifying Party of such fact. Any failure of or delay in such notification shall not affect a Party's indemnification obligation unless such failure or delay is materially prejudicial to the Indemnifying Party.

Except as stated below, the Indemnifying Party shall have the right to assume the defense thereof with counsel designated by such Indemnifying Party and reasonably satisfactory to the Indemnified Party. If the defendants in any such action include ~~one or more~~the Indemnified ~~Parties~~Party and the Indemnifying Party and if the Indemnified Party reasonably concludes that there may be legal defenses available to it and/or the other Indemnified ~~Parties~~Party which are different from or additional to those available to the Indemnifying Party, the Indemnified Party shall have the right to select separate counsel to assert such legal defenses and to otherwise participate in the defense of such action on its own behalf. In such instances, the Indemnifying Party shall only be required to pay the fees and expenses of one additional attorney to represent an Indemnified Party ~~or Indemnified Parties~~ having such differing or additional legal defenses.

The Indemnified Party shall be entitled, at its expense, to participate in any such action, suit or proceeding, the defense of which has been assumed by the Indemnifying Party. Notwithstanding the foregoing, the Indemnifying Party (i) shall not be entitled to assume and control the defense of any such action, suit or proceedings if and to the extent that, in the opinion of the Indemnified Party and its counsel, such action, suit or proceeding involves the potential imposition of criminal liability on the Indemnified Party, or there exists a conflict or adversity of interest between the Indemnified Party and the Indemnifying Party, in such event the Indemnifying Party shall pay the reasonable expenses of the Indemnified Party, and (ii) shall not settle or consent to the entry of any judgment in any action, suit or proceeding without the consent of the Indemnified Party, which shall not be unreasonably withheld, conditioned or delayed.

**18.2 ~~18.2~~ — No Consequential Damages.**

Other than the Liquidated Damages heretofore described and the indemnity obligations set forth in Article 18.1, in no event shall any Party be liable under any provision of this Agreement for any losses, damages, costs or expenses for any special, indirect, incidental,

consequential, or punitive damages, including but not limited to loss of profit or revenue, loss of the use of equipment, cost of capital, cost of temporary equipment or services, whether based in whole or in part in contract, in tort, including negligence, strict liability, or any other theory of liability; provided, however, that damages for which a Party may be liable to another Party under separate agreement will not be considered to be special, indirect, incidental, or consequential damages hereunder.

18.3 ~~18.3~~ **Insurance.**

~~Developer~~Interconnection Customer and Connecting Transmission Owner shall each, at its own expense, maintain in force throughout the period of this Agreement, and until released by the other ~~Parties~~Party's, the following minimum insurance coverages, with insurers authorized to do business in the state of New York:

18.3.1 ~~18.3.1~~ Employers' Liability and Workers' Compensation Insurance providing statutory benefits in accordance with the laws and regulations of New York State.

18.3.2 ~~18.3.2~~ Commercial General Liability Insurance including premises and operations, personal injury, broad form property damage, broad form blanket contractual liability coverage (including coverage for the contractual indemnification) products and completed operations coverage, coverage for explosion, collapse and underground hazards, independent contractors coverage, coverage for pollution to the extent normally available and punitive damages to the extent normally available and a cross liability endorsement, with minimum limits of One Million Dollars (\$1,000,000) per occurrence/One Million Dollars (\$1,000,000) aggregate combined single limit for personal injury, bodily injury, including death and property damage.

~~18.3.3~~ ~~18.3.3~~ Comprehensive Automobile Liability Insurance for coverage of owned and non-owned and hired vehicles, trailers or semi-trailers designed for travel on public roads, with a minimum, combined single limit of One Million Dollars (\$1,000,000) per occurrence for bodily injury, including death, and property damage.

~~18.3.4~~ ~~18.3.4~~ Excess Public Liability Insurance over and above the Employers' Liability Commercial General Liability and Comprehensive Automobile Liability Insurance coverage, with a minimum combined single limit of Twenty Million Dollars (\$20,000,000) per occurrence/Twenty Million Dollars (\$20,000,000) aggregate.

~~18.3.5~~ ~~18.3.5~~ The Commercial General Liability Insurance, Comprehensive Automobile Insurance and Excess Public Liability Insurance policies of ~~Developer~~ [Interconnection Customer](#) and Connecting Transmission Owner shall name the other Party, its parent, associated and Affiliate companies and their respective directors, officers, agents, servants and employees ("Other Party Group") as additional insured. All policies shall contain provisions whereby the insurers waive all rights of subrogation in accordance with the provisions of this Agreement against the Other Party Group and provide thirty (30) Calendar days advance written notice to the Other Party Group prior to anniversary date of cancellation or any material change in coverage or condition.

~~18.3.6~~ ~~18.3.6~~ The Commercial General Liability Insurance, Comprehensive Automobile Liability Insurance and Excess Public Liability Insurance policies shall contain provisions that specify that the policies are primary and shall apply to such extent without consideration for other policies separately carried and shall state that each insured is provided coverage as though a separate policy had been issued to each, except the insurer's liability shall not be increased beyond the amount for which the insurer would have been liable had only one insured been covered. ~~Developer~~ [Interconnection Customer](#) and Connecting Transmission Owner shall each be responsible for its respective deductibles or retentions.

~~18.3.7~~ ~~18.3.7~~ The Commercial General Liability Insurance, Comprehensive Automobile Liability Insurance and Excess Public Liability Insurance policies, if written on a Claims First Made Basis, shall be maintained in full force and effect for two (2) years after termination of this Agreement, which coverage may be in the form of tail coverage or extended reporting period coverage if agreed by the ~~Developer~~ [Interconnection Customer](#) and Connecting Transmission Owner.

~~18.3.8~~ ~~18.3.8~~ The requirements contained herein as to the types and limits of all insurance to be maintained by the ~~Developer~~ [Interconnection Customer](#) and Connecting Transmission Owner are not intended to and shall not in any manner, limit or qualify the liabilities and obligations assumed by those Parties under this Agreement.

~~18.3.9~~ ~~18.3.9~~ Within ten (10) days following execution of this Agreement, and as soon as practicable after the end of each fiscal year or at the renewal of the insurance policy and in any event within ninety (90) days thereafter, ~~Developer~~ [Interconnection Customer](#) and



Connecting Transmission Owner shall provide certification of all insurance required in this Agreement, executed by each insurer or by an authorized representative of each insurer.

~~18.3.10~~ ~~18.3.10~~ Notwithstanding the foregoing, ~~Developer~~Interconnection Customer and Connecting Transmission Owner may each self-insure to meet the minimum insurance requirements of Articles 18.3.2 through 18.3.8 to the extent it maintains a self-insurance program; provided that, such Party's senior debt is rated at investment grade, or better, by Standard & Poor's and that its self-insurance program meets the minimum insurance requirements of Articles 18.3.2 through 18.3.8. For any period of time that a Party's senior debt is unrated by Standard & Poor's or is rated at less than investment grade by Standard & Poor's, such Party shall comply with the insurance requirements applicable to it under Articles 18.3.2 through 18.3.9. In the event that a Party is permitted to self-insure pursuant to this Article 18.3.10, it shall notify the other Party that it meets the requirements to self-insure and that its self-insurance program meets the minimum insurance requirements in a manner consistent with that specified in Article 18.3.9.

~~18.3.11~~ ~~18.3.11~~ ~~Developer~~Interconnection Customer and Connecting Transmission Owner agree to report to each other in writing as soon as practical all accidents or occurrences resulting in injuries to any person, including death, and any property damage arising out of this Agreement.

## Article 19. ~~ARTICLE 19.~~ Assignment

### 19.1 ~~19.1~~ Assignment.

This Agreement may be assigned by a Party only with the written consent of the other ~~Parties~~Party; provided that a Party may assign this Agreement without the consent of the other ~~Parties~~Party to any Affiliate of the assigning Party with an equal or greater credit rating and with the legal authority and operational ability to satisfy the obligations of the assigning Party under this Agreement; provided further that a Party may assign this Agreement without the consent of the other ~~Parties~~Party in connection with the sale, merger, restructuring, or transfer of a substantial portion or all of its assets, including the Attachment Facilities it owns, so long as the assignee in such a transaction directly assumes in writing all rights, duties and obligations arising under this Agreement; and provided further that the ~~Developer~~Interconnection Customer shall have the right to assign this Agreement, without the consent of the NYISO or Connecting Transmission Owner, for collateral security purposes to aid in providing financing for the Large Generating Facility, provided that the ~~Developer~~Interconnection Customer will promptly notify the NYISO and Connecting Transmission Owner of any such assignment. Any financing arrangement entered into by the ~~Developer~~Interconnection Customer pursuant to this Article will provide that prior to or upon the exercise of the secured party's, trustee's or mortgagee's assignment rights pursuant to said arrangement, the secured creditor, the trustee or mortgagee will notify the NYISO and Connecting Transmission Owner of the date and particulars of any such exercise of assignment right(s) and will provide the NYISO and Connecting Transmission Owner with proof that it meets the requirements of Articles 11.5 and 18.3. Any attempted assignment that violates this Article is void and ineffective. Any assignment under this Agreement shall not relieve a Party of its obligations, nor shall a Party's obligations be enlarged,

in whole or in part, by reason thereof. Where required, consent to assignment will not be unreasonably withheld, conditioned or delayed.

**Article 20. ~~ARTICLE 20.~~ Severability**

**20.1 ~~20.1~~ Severability.**

If any provision in this Agreement is finally determined to be invalid, void or unenforceable by any court or other Governmental Authority having jurisdiction, such determination shall not invalidate, void or make unenforceable any other provision, agreement or covenant of this Agreement; provided that if the ~~Developer~~Interconnection Customer (or any third party, but only if such third party is not acting at the direction of the Connecting Transmission Owner) seeks and obtains such a final determination with respect to any provision of the Alternate Option (Article 5.1.2), or the Negotiated Option (Article 5.1.4), then none of these provisions shall thereafter have any force or effect and the rights and obligations of ~~Developer~~Interconnection Customer and Connecting Transmission Owner shall be governed solely by the Standard Option (Article 5.1.1).

**Article 21. ~~ARTICLE 21.~~ Comparability**

**21.1 ~~21.1~~ Comparability.**

The Parties will comply with all applicable comparability and code of conduct laws, rules and regulations, as amended from time to time.

**Article 22. ~~ARTICLE 22.~~ Confidentiality**

**22.1 ~~22.1~~ Confidentiality.**

Certain information exchanged by the Parties during the term of this Agreement shall constitute confidential information (“Confidential Information”) and shall be subject to this Article 22.

If requested by a Party receiving information, the Party supplying the information shall provide in writing, the basis for asserting that the information referred to in this Article warrants confidential treatment, and the requesting Party may disclose such writing to the appropriate Governmental Authority. Each Party shall be responsible for the costs associated with affording confidential treatment to its information.

**22.1.1 ~~22.1.1~~ Term.**

During the term of this Agreement, and for a period of three (3) years after the expiration or termination of this Agreement, except as otherwise provided in this Article 22, each Party shall hold in confidence and shall not disclose to any person Confidential Information.

**22.1.2 — ~~22.1.2~~ Confidential Information.**

The following shall constitute Confidential Information: (1) any non-public information that is treated as confidential by the disclosing Party and which the disclosing Party identifies as Confidential Information in writing at the time, or promptly after the time, of disclosure; or (2) information designated as Confidential Information by the NYISO Code of Conduct contained in Attachment F to the NYISO OATT.

**22.1.3 — ~~22.1.3~~ Scope.**

Confidential Information shall not include information that the receiving Party can demonstrate: (1) is generally available to the public other than as a result of a disclosure by the receiving Party; (2) was in the lawful possession of the receiving Party on a non-confidential basis before receiving it from the disclosing Party; (3) was supplied to the receiving Party without restriction by a third party, who, to the knowledge of the receiving Party after due inquiry, was under no obligation to the disclosing Party to keep such information confidential; (4) was independently developed by the receiving Party without reference to Confidential Information of the disclosing Party; (5) is, or becomes, publicly known, through no wrongful act or omission of the receiving Party or Breach of this Agreement; or (6) is required, in accordance with Article 22.1.8 of this Agreement, Order of Disclosure, to be disclosed by any Governmental Authority or is otherwise required to be disclosed by law or subpoena, or is necessary in any legal proceeding establishing rights and obligations under this Agreement. Information designated as Confidential Information will no longer be deemed confidential if the Party that designated the information as confidential notifies the other Party that it no longer is confidential.

**22.1.4 — ~~22.1.4~~ Release of Confidential Information.**

No Party shall release or disclose Confidential Information to any other person, except to its Affiliates (limited by FERC Standards of Conduct requirements), subcontractors, employees, consultants, or to parties who may be considering providing financing to or equity participation with ~~Developer~~ Interconnection Customer, or to potential purchasers or assignees of a Party, on a need-to-know basis in connection with this Agreement, unless such person has first been advised of the confidentiality provisions of this Article 22 and has agreed to comply with such provisions. Notwithstanding the foregoing, a Party providing Confidential Information to any person shall remain primarily responsible for any release of Confidential Information in contravention of this Article 22.

**22.1.5 — ~~22.1.5~~ Rights.**

Each Party retains all rights, title, and interest in the Confidential Information that each Party discloses to the other Party. The disclosure by each Party to the other ~~Parties~~ Party of Confidential Information shall not be deemed a waiver by any Party or any other person or entity of the right to protect the Confidential Information from public disclosure.

**22.1.6 — ~~22.1.6~~ No Warranties.**

By providing Confidential Information, no Party makes any warranties or representations as to its accuracy or completeness. In addition, by supplying Confidential Information, no Party obligates itself to provide any particular information or Confidential Information to the other - ~~Parties~~ Party's nor to enter into any further agreements or proceed with any other relationship or joint venture.

**22.1.7 — ~~22.1.7~~ Standard of Care.**

Each Party shall use at least the same standard of care to protect Confidential Information it receives as it uses to protect its own Confidential Information from unauthorized disclosure, publication or dissemination. Each Party may use Confidential Information solely to fulfill its obligations to the other Party under this Agreement or its regulatory requirements, including the NYISO OATT and NYISO Services Tariff. The NYISO shall, in all cases, treat the information it receives in accordance with the requirements of Attachment F to the NYISO OATT.

**22.1.8 — ~~22.1.8~~ Order of Disclosure.**

If a court or a Government Authority or entity with the right, power, and apparent authority to do so requests or requires any Party, by subpoena, oral deposition, interrogatories, requests for production of documents, administrative order, or otherwise, to disclose Confidential Information, that Party shall provide the other ~~Parties~~ Party with prompt notice of such request(s) or requirement(s) so that the other ~~Parties~~ Party may seek an appropriate protective order or waive compliance with the terms of this Agreement. Notwithstanding the absence of a protective order or waiver, the Party may disclose such Confidential Information which, in the opinion of its counsel, the Party is legally compelled to disclose. Each Party will use Reasonable Efforts to obtain reliable assurance that confidential treatment will be accorded any Confidential Information so furnished.

**22.1.9 — ~~22.1.9~~ Termination of Agreement.**

Upon termination of this Agreement for any reason, each Party shall, within ten (10) Calendar Days of receipt of a written request from the other ~~Parties~~ Party, use Reasonable Efforts to destroy, erase, or delete (with such destruction, erasure, and deletion certified in writing to the other ~~Parties~~ Party) or return to the other ~~Parties~~ Party, without retaining copies thereof, any and all written or electronic Confidential Information received from the other ~~Parties~~ Party pursuant to this Agreement.

**22.1.10 — ~~22.1.10~~ Remedies.**

The Parties agree that monetary damages would be inadequate to compensate a Party for another Party's Breach of its obligations under this Article 22. Each Party accordingly agrees that the other ~~Parties~~ Party shall be entitled to equitable relief, by way of injunction or otherwise, if the first Party Breaches or threatens to Breach its obligations under this Article 22, which equitable relief shall be granted without bond or proof of damages, and the receiving Party shall

not plead in defense that there would be an adequate remedy at law. Such remedy shall not be deemed an exclusive remedy for the Breach of this Article 22, but shall be in addition to all other remedies available at law or in equity. The Parties further acknowledge and agree that the covenants contained herein are necessary for the protection of legitimate business interests and are reasonable in scope. No Party, however, shall be liable for indirect, incidental, or consequential or punitive damages of any nature or kind resulting from or arising in connection with this Article 22.

22.1.11 ~~22.1.11~~ **Disclosure to FERC, its Staff, or a State.**

Notwithstanding anything in this Article 22 to the contrary, and pursuant to 18 C.F.R. section 1b.20, if FERC or its staff, during the course of an investigation or otherwise, requests information from one of the Parties that is otherwise required to be maintained in confidence pursuant to this Agreement or the NYISO OATT, the Party shall provide the requested information to FERC or its staff, within the time provided for in the request for information. In providing the information to FERC or its staff, the Party must, consistent with 18 C.F.R. section 388.112, request that the information be treated as confidential and non-public by FERC and its staff and that the information be withheld from public disclosure. Parties are prohibited from notifying the other ~~Parties~~Party to this Agreement prior to the release of the Confidential Information to the Commission or its staff. The Party shall notify the other ~~Parties~~Party to the Agreement when it is notified by FERC or its staff that a request to release Confidential Information has been received by FERC, at which time the Parties may respond before such information would be made public, pursuant to 18 C.F.R. section 388.112. Requests from a state regulatory body conducting a confidential investigation shall be treated in a similar manner if consistent with the applicable state rules and regulations. A Party shall not be liable for any losses, consequential or otherwise, resulting from that Party divulging Confidential Information pursuant to a FERC or state regulatory body request under this paragraph.

~~22.1.12~~  
22.1.12

Except as otherwise expressly provided herein, no Party shall disclose Confidential Information to any person not employed or retained by the Party possessing the Confidential Information, except to the extent disclosure is (i) required by law; (ii) reasonably deemed by the disclosing Party to be required to be disclosed in connection with a dispute between or among the Parties, or the defense of litigation or dispute; (iii) otherwise permitted by consent of the other Party, such consent not to be unreasonably withheld; or (iv) necessary to fulfill its obligations under this Agreement, the NYISO OATT or the NYISO Services Tariff. Prior to any disclosures of a Party's Confidential Information under this subparagraph, or if any third party or Governmental Authority makes any request or demand for any of the information described in this subparagraph, the disclosing Party agrees to promptly notify the other Party in writing and agrees to assert confidentiality and cooperate with the other Party in seeking to protect the Confidential Information from public disclosure by confidentiality agreement, protective order or other reasonable measures.

**Article 23. ~~ARTICLE 23.~~ Environmental Releases**

**23.1 ~~23.1~~ ~~Developer~~Interconnection Customer and Connecting Transmission Owner Notice.**

~~Developer~~Interconnection Customer and Connecting Transmission Owner shall each notify the other Party, first orally and then in writing, of the release of any Hazardous Substances, any asbestos or lead abatement activities, or any type of remediation activities related to the Large Generating Facility or the Attachment Facilities, each of which may reasonably be expected to affect the other Party. The notifying Party shall: (i) provide the notice as soon as practicable, provided such Party makes a good faith effort to provide the notice no later than twenty-four hours after such Party becomes aware of the occurrence; and (ii) promptly furnish to the other Party copies of any publicly available reports filed with any Governmental Authorities addressing such events.

**Article 24. ~~ARTICLE 24.~~ Information Requirement**

**24.1 ~~24.1~~ ~~Information~~ Acquisition.**

Connecting Transmission Owner and ~~Developer~~Interconnection Customer shall each submit specific information regarding the electrical characteristics of their respective facilities to the other, and to NYISO, as described below and in accordance with Applicable Reliability Standards.

**24.2 ~~24.2~~ ~~Information~~ Submission by Connecting Transmission Owner.**

The initial information submission by Connecting Transmission Owner shall occur no later than one hundred eighty (180) Calendar Days prior to Trial Operation and shall include New York State Transmission System information necessary to allow the - ~~Developer~~Interconnection Customer to select equipment and meet any system protection and stability requirements, unless otherwise mutually agreed to by the ~~Developer~~Interconnection Customer and Connecting Transmission Owner. On a monthly basis Connecting Transmission Owner shall provide ~~Developer~~Interconnection Customer and NYISO a status report on the construction and installation of Connecting Transmission Owner's Attachment Facilities and System Upgrade Facilities and System Deliverability Upgrades, including, but not limited to, the following information: (1) progress to date; (2) a description of the activities since the last report; (3) a description of the action items for the next period; and (4) the delivery status of equipment ordered.

**24.3 ~~24.3~~ ~~Updated Information~~ Submission by ~~Developer~~Interconnection Customer.**

The updated information submission by the ~~Developer~~Interconnection Customer, including manufacturer information, shall occur no later than one hundred eighty (180) Calendar Days prior to the Trial Operation. ~~Developer~~Interconnection Customer shall submit a completed copy of the Large Generating Facility data requirements contained in Appendix 1 to the Large Facility Interconnection Procedures. It shall also include any additional information provided to



Connecting Transmission Owner for the Interconnection Feasibility Study and Interconnection Facilities Study. Information in this submission shall be the most current Large Generating Facility design or expected performance data. Information submitted for stability models shall be compatible with NYISO standard models. If there is no compatible model, the ~~Developer~~Interconnection Customer will work with a consultant mutually agreed to by the Parties to develop and supply a standard model and associated information.

If the ~~Developer's~~Interconnection Customer's data is different from what was originally provided to Connecting Transmission Owner and NYISO pursuant to an Interconnection Study Agreement among Connecting Transmission Owner, NYISO and ~~Developer~~Interconnection Customer and this difference may be reasonably expected to affect the other ~~Parties'~~Party's facilities or the New York State Transmission System, but does not require the submission of a new Interconnection Request, then NYISO will conduct appropriate studies to determine the impact on the New York State Transmission System based on the actual data submitted pursuant to this Article 24.3. Such studies will provide an estimate of any additional modifications to the New York State Transmission System, Connecting Transmission Owner's Attachment Facilities or System Upgrade Facilities or System Deliverability Upgrades based on the actual data and a good faith estimate of the costs thereof. The ~~Developer~~Interconnection Customer shall not begin Trial Operation until such studies are completed. The ~~Developer~~Interconnection Customer shall be responsible for the cost of any modifications required by the actual data, including the cost of any required studies.

#### 24.4 ~~24.4~~ — Information Supplementation.

Prior to the Commercial Operation Date, the ~~Developer~~Interconnection Customer and Connecting Transmission Owner shall supplement their information submissions described above in this Article 24 with any and all “as-built” Large Generating Facility information or “as-tested” performance information that differs from the initial submissions or, alternatively, written confirmation that no such differences exist. The ~~Developer~~Interconnection Customer shall conduct tests on the Large Generating Facility as required by Good Utility Practice such as an open circuit “step voltage” test on the Large Generating Facility to verify proper operation of the Large Generating Facility's automatic voltage regulator.

Unless otherwise agreed, the test conditions shall include: (1) Large Generating Facility at synchronous speed; (2) automatic voltage regulator on and in voltage control mode; and (3) a five percent change in Large Generating Facility terminal voltage initiated by a change in the voltage regulators reference voltage. ~~Developer~~Interconnection Customer shall provide validated test recordings showing the responses of Large Generating Facility terminal and field voltages. In the event that direct recordings of these voltages is impractical, recordings of other voltages or currents that mirror the response of the Large Generating Facility's terminal or field voltage are acceptable if information necessary to translate these alternate quantities to actual Large Generating Facility terminal or field voltages is provided. Large Generating Facility testing shall be conducted and results provided to the Connecting Transmission Owner and NYISO for each individual generating unit in a station.



Subsequent to the Commercial Operation Date, the ~~Developer~~Interconnection Customer shall provide Connecting Transmission Owner and NYISO any information changes due to equipment replacement, repair, or adjustment. Connecting Transmission Owner shall provide the ~~Developer~~Interconnection Customer and NYISO any information changes due to equipment replacement, repair or adjustment in the directly connected substation or any adjacent Connecting Transmission Owner substation that may affect the ~~Developer~~Interconnection Customer Attachment Facilities equipment ratings, protection or operating requirements. The ~~Developer~~Interconnection Customer and Connecting Transmission Owner shall provide such information no later than thirty (30) Calendar Days after the date of the equipment replacement, repair or adjustment.

## Article 25. ~~ARTICLE 25.~~ **Information Access and Audit Rights**

### 25.1 ~~25.1~~ **Information Access.**

Each Party (“Disclosing Party”) shall make available to another Party (“Requesting Party”) information that is in the possession of the Disclosing Party and is necessary in order for the Requesting Party to: (i) verify the costs incurred by the Disclosing Party for which the Requesting Party is responsible under this Agreement; and (ii) carry out its obligations and responsibilities under this Agreement. The Parties shall not use such information for purposes other than those set forth in this Article 25.1 of this Agreement and to enforce their rights under this Agreement.

### 25.2 ~~25.2~~ **Reporting of Non-Force Majeure Events.**

Each Party (the “Notifying Party”) shall notify the other ~~Parties~~Party when the Notifying Party becomes aware of its inability to comply with the provisions of this Agreement for a reason other than a Force Majeure event. The Parties agree to cooperate with each other and provide necessary information regarding such inability to comply, including the date, duration, reason for the inability to comply, and corrective actions taken or planned to be taken with respect to such inability to comply. Notwithstanding the foregoing, notification, cooperation or information provided under this Article shall not entitle the Party receiving such notification to allege a cause for anticipatory breach of this Agreement.

### 25.3 ~~25.3~~ **Audit Rights.**

Subject to the requirements of confidentiality under Article 22 of this Agreement, each Party shall have the right, during normal business hours, and upon prior reasonable notice to another Party, to audit at its own expense the other Party’s accounts and records pertaining to the other Party’s performance or satisfaction of its obligations under this Agreement. Such audit rights shall include audits of the other Party’s costs, calculation of invoiced amounts, and each Party’s actions in an Emergency State. Any audit authorized by this Article shall be performed at the offices where such accounts and records are maintained and shall be limited to those portions of such **accounts** and records that relate to the Party’s performance and satisfaction of obligations under this Agreement. Each Party shall keep such accounts and records for a period equivalent to the audit rights periods described in Article 25.4 of this Agreement.

25.4 ~~25.4~~ **Audit Rights Periods.**

25.4.1 ~~25.4.1~~ **Audit Rights Period for Construction-Related Accounts and Records.**

Accounts and records related to the design, engineering, procurement, and construction of Connecting Transmission Owner's Attachment Facilities and System Upgrade Facilities and System Deliverability Upgrades shall be subject to audit for a period of twenty-four months following Connecting Transmission Owner's issuance of a final invoice in accordance with Article 12.2 of this Agreement.

25.4.2 ~~25.4.2~~ **Audit Rights Period for All Other Accounts and Records.**

Accounts and records related to a Party's performance or satisfaction of its obligations under this Agreement other than those described in Article 25.4.1 of this Agreement shall be subject to audit as follows: (i) for an audit relating to cost obligations, the applicable audit rights period shall be twenty-four months after the auditing Party's receipt of an invoice giving rise to such cost obligations; and (ii) for an audit relating to all other obligations, the applicable audit rights period shall be twenty-four months after the event for which the audit is sought.

25.5 ~~25.5~~ **Audit Results.**

If an audit by a Party determines that an overpayment or an underpayment has occurred, a notice of such overpayment or underpayment shall be given to the other Party together with those records from the audit which support such determination.

Article 26. ~~ARTICLE 26.~~ **Subcontractors**

26.1 ~~26.1~~ **General.**

Nothing in this Agreement shall prevent a Party from utilizing the services of any subcontractor as it deems appropriate to perform its obligations under this Agreement; provided, however, that each Party shall require its subcontractors to comply with all applicable terms and conditions of this Agreement in providing such services and each Party shall remain primarily liable to the other ~~Parties~~Party for the performance of such subcontractor.

26.2 ~~26.2~~ **Responsibility of Principal.**

The creation of any subcontract relationship shall not relieve the hiring Party of any of its obligations under this Agreement. The hiring Party shall be **fully** responsible to the other ~~Parties~~Party for the acts or omissions of any subcontractor the hiring Party hires as if no subcontract had been made; provided, however, that in no event shall the NYISO or Connecting Transmission Owner be liable for the actions or inactions of the ~~Developer~~Interconnection Customer or its subcontractors with respect to obligations of the ~~Developer~~Interconnection Customer under Article 5 of this Agreement. Any applicable obligation imposed by this

Agreement upon the hiring Party shall be equally binding upon, and shall be construed as having application to, any subcontractor of such Party.

26.3 ~~26.3~~ **No Limitation by Insurance.**

The obligations under this Article 26 will not be limited in any way by any limitation of subcontractor's insurance.

Article 27. ~~ARTICLE 27.~~ **Disputes**

27.1 ~~27.1~~ **Submission.**

In the event any Party has a dispute, or asserts a claim, that arises out of or in connection with this Agreement or its performance (a "Dispute"), such Party shall provide the other ~~Parties~~ Party with written notice of the Dispute ("Notice of Dispute"). Such Dispute shall be referred to a designated senior representative of each Party for resolution on an informal basis as promptly as practicable after receipt of the Notice of Dispute by the other ~~Parties~~ Party. In the event the designated representatives are unable to resolve the Dispute through unassisted or assisted negotiations within thirty (30) Calendar Days of the other ~~Parties'~~ Party's receipt of the Notice of Dispute, such Dispute may, upon mutual agreement of the Parties, be submitted to arbitration and resolved in accordance with the arbitration procedures set forth below. In the event the Parties do not agree to submit such Dispute to arbitration, each Party may exercise whatever rights and remedies it may have in equity or at law consistent with the terms of this Agreement.

27.2 ~~27.2~~ **External Arbitration Procedures.**

Any arbitration initiated under this Agreement shall be conducted before a single neutral arbitrator appointed by the Parties. If the Parties fail to agree upon a single arbitrator within ten (10) Calendar Days of the submission of the Dispute to arbitration, ~~each Party shall choose one arbitrator who shall sit on~~ then the arbitration shall be conducted by a three-member arbitration panel. ~~In each case, the arbitrator~~ For purposes of the three arbitrator panel, one arbitrator shall be selected by Connecting Transmission Owner and one arbitrator shall be selected by Interconnection Customer, in each case within 20 Calendar Days of the submission of the Dispute to arbitration. A third arbitrator shall be selected by the first two within 10 Calendar Days after the latter of: (a) the date Connecting Transmission Owner selected an arbitrator; and (b) the date Interconnection Customer selected an arbitrator. If either Connecting Transmission Owner or Interconnection Customer fails to make a selection of an arbitrator, then the arbitrator selected shall select the remaining two. If arbitrators selected by Connecting Transmission Owner and Interconnection Customer have not agreed on the selection of the third arbitrator within such 10 Calendar Day period, the third arbitrator shall be expeditiously selected in accordance with the rules of the American Arbitration Association.

In each case, the arbitrator(s) shall be knowledgeable in electric utility matters, including electric transmission and bulk power issues, and shall not have any current or past substantial business or financial relationships with any party to the arbitration (except prior arbitration). The arbitrator(s) shall provide each of the Parties an opportunity to be heard and, except as otherwise

provided herein, shall conduct the arbitration in accordance with the Commercial Arbitration Rules of the American Arbitration Association (“Arbitration Rules”) and any applicable FERC regulations or RTO rules; provided, however, in the event of a conflict between the Arbitration Rules and the terms of this Article 27, the terms of this Article 27 shall prevail.

27.3 ~~27.3~~ **Arbitration Decisions.**

Unless otherwise agreed by the Parties, the arbitrator(s) shall render a decision within ninety (90) Calendar Days of appointment and shall notify the Parties in writing of such decision and the reasons therefor. The arbitrator(s) shall be authorized only to interpret and apply the provisions of this Agreement and shall have no power to modify or change any provision of this Agreement in any manner. The decision of the arbitrator(s) shall be final and binding upon the Parties, and judgment on the award may be entered in any court having jurisdiction. The decision of the arbitrator(s) may be appealed solely on the grounds that the conduct of the arbitrator(s), or the decision itself, violated the standards set forth in the Federal Arbitration Act or the Administrative Dispute Resolution Act. The final decision of the arbitrator must also be filed with FERC if it affects jurisdictional rates, terms and conditions of service, Attachment Facilities, or System Upgrade Facilities, System Deliverability Upgrades.

27.4 ~~27.4~~ **Costs.**

Each Party shall be responsible for its own costs incurred during the arbitration process and for the following costs, ~~if~~ applicable: (1) one-half of the cost of the single arbitrator jointly chosen by the Parties, if a single arbitrator is appointed by the Parties; or (2) the cost of the arbitrator chosen by the Party to sit on the three-member panel; or (2) chosen by another arbitrator to sit on the panel on behalf of the Party if the Party fails to make its own selection of an arbitrator under Section 27.2, if a three-member arbitration panel is selected by the Parties; and (3) one-third-half the cost of the single third arbitrator jointly chosen by the two arbitrators selected by the Parties, chosen by the arbitrator selected by a Party after the other Party’s failure to select an arbitrator, or chosen under the rules of the American Arbitration Association.

27.5 ~~27.5~~ **Termination.**

Notwithstanding the provisions of this Article 27, any Party may terminate this Agreement in accordance with its provisions or pursuant to an action at law or equity. The issue of whether such a termination is proper shall not be considered a Dispute hereunder.

Article 28. ~~ARTICLE 28.~~ **Representations, Warranties And Covenants**

28.1 ~~28.1~~ **General.**

Each Party makes the following representations, warranties and covenants:

28.1.1 ~~28.1.1~~ **Good Standing.**

Such Party is duly organized, validly existing and in good standing under the laws of the state in which it is organized, formed, or incorporated, as applicable; that it is qualified to do

business in the state or states in which the Large Generating Facility, Attachment Facilities and System Upgrade Facilities and System Deliverability Upgrades owned by such Party, as applicable, are located; and that it has the corporate power and authority to own its properties, to carry on its business as now being conducted and to enter into this Agreement and carry out the transactions contemplated hereby and perform and carry out all covenants and obligations on its part to be performed under and pursuant to this Agreement.

28.1.2 — ~~28.1.2~~ **Authority.**

Such Party has the right, power and authority to enter into this Agreement, to become a Party hereto and to perform its obligations hereunder. This Agreement is a legal, valid and binding obligation of such Party, enforceable against such Party in accordance with its terms, except as the enforceability thereof may be limited by applicable bankruptcy, insolvency, reorganization or other similar laws affecting creditors' rights generally and by general equitable principles (regardless of whether enforceability is sought in a proceeding in equity or at law).

28.1.3 — ~~28.1.3~~ **No Conflict.**

The execution, delivery and performance of this Agreement does not violate or conflict with the organizational or formation documents, or bylaws or operating agreement, of such Party, or any judgment, license, permit, order, material agreement or instrument applicable to or binding upon such Party or any of its assets.

28.1.4 — ~~28.1.4~~ **Consent and Approval.**

Such Party has sought or obtained, or, in accordance with this Agreement will seek or obtain, each consent, approval, authorization, order, or acceptance by any Governmental Authority in connection with the execution, delivery and performance of this Agreement, and it will provide to any Governmental Authority notice of any actions under this Agreement that are required by Applicable Laws and Regulations.

Article 29. ~~ARTICLE 29.~~ **Miscellaneous**

29.1 — ~~29.1~~ **Binding Effect.**

This Agreement and the rights and obligations hereof, shall be binding upon and shall inure to the benefit of the successors and permitted assigns of the Parties hereto.

29.2 — ~~29.2~~ **Conflicts.**

If there is a discrepancy or conflict between or among the terms and conditions of this cover agreement and the Appendices hereto, the terms and conditions of this cover agreement shall be given precedence over the Appendices, except as otherwise expressly agreed to in writing by the Parties.

29.3 ~~29.3~~ **Rules of Interpretation.**

This Agreement, unless a clear contrary intention appears, shall be construed and interpreted as follows: (1) the singular number includes the plural number and vice versa; (2) reference to any person includes such person's successors and assigns but, in the case of a Party, only if such successors and assigns are permitted by this Agreement, and reference to a person in a particular capacity excludes such person in any other capacity or individually; (3) reference to any agreement (including this Agreement), document, instrument or tariff means such agreement, document, instrument, or tariff as amended or modified and in effect from time to time in accordance with the terms thereof and, if applicable, the terms hereof; (4) reference to any Applicable Laws and Regulations means such Applicable Laws and Regulations as amended, modified, codified, or reenacted, in whole or in part, and in effect from time to time, including, if applicable, rules and regulations promulgated thereunder; (5) unless expressly stated otherwise, reference to any Article, Section or Appendix means such Article of this Agreement or such Appendix to this Agreement, or such Section to the Large Facility Interconnection Procedures or such Appendix to the Large Facility Interconnection Procedures, as the case may be; (6) "hereunder", "hereof", "herein", "hereto" and words of similar import shall be deemed references to this Agreement as a whole and not to any particular Article or other provision hereof or thereof; (7) "including" (and with correlative meaning "include") means including without limiting the generality of any description preceding such term; and (8) relative to the determination of any period of time, "from" means "from and including", "to" means "to but excluding" and "through" means "through and including".

29.4 ~~29.4~~ **Compliance.**

Each Party shall perform its obligations under this Agreement in accordance with Applicable Laws and Regulations, Applicable Reliability Standards, the NYISO OATT and Good Utility Practice. To the extent a Party is required or prevented or limited in taking any action by such regulations and standards, such Party shall not be deemed to be in Breach of this Agreement for its compliance therewith. When any Party becomes aware of such a situation, it shall notify the other ~~Parties~~Party promptly so that the Parties can discuss the amendment to this Agreement that is appropriate under the circumstances.

29.5 ~~29.5~~ **Joint and Several Obligations.**

Except as otherwise stated herein, the obligations of NYISO, ~~Developer~~Interconnection Customer and Connecting Transmission Owner are several, and are neither joint nor joint and several.

29.6 ~~29.6~~ **Entire Agreement.**

This Agreement, including all Appendices and Schedules attached hereto, constitutes the entire agreement between the Parties with reference to the subject matter hereof, and supersedes all prior and contemporaneous understandings or agreements, oral or written, between the Parties with respect to the subject matter of this Agreement. There are no other agreements, representations, warranties, or covenants which constitute any part of the consideration for, or any condition to, either Party's compliance with its obligations under this Agreement.

29.7 ~~29.7~~ **No Third Party Beneficiaries.**

This Agreement is not intended to and does not create rights, remedies, or benefits of any character whatsoever in favor of any persons, corporations, associations, or entities other than the Parties, and the obligations herein assumed are solely for the use and benefit of the Parties, their successors in interest and permitted their assigns.

29.8 ~~29.8~~ **Waiver.**

The failure of a Party to this Agreement to insist, on any occasion, upon strict performance of any provision of this Agreement will not be considered a waiver of any obligation, right, or duty of, or imposed upon, such Party. Any waiver at any time by either Party of its rights with respect to this Agreement shall not be deemed a continuing waiver or a waiver with respect to any other failure to comply with any other obligation, right, duty of this Agreement. Termination or Default of this Agreement for any reason by the - ~~Developer~~ Interconnection Customer shall not constitute a waiver of the ~~Developer's~~ Interconnection Customer's legal rights to obtain Capacity Resource Interconnection Service and Energy Resource Interconnection Service from the NYISO and Connecting Transmission Owner in accordance with the provisions of the NYISO OATT. Any waiver of this Agreement shall, if requested, be provided in writing.

29.9 ~~29.9~~ **Headings.**

The descriptive headings of the various Articles of this Agreement have been inserted for convenience of reference only and are of no significance in the interpretation or construction of this Agreement.

29.10 ~~29.10~~ **Multiple Counterparts.**

This Agreement may be executed in two or more counterparts, each of which is deemed an original but all constitute one and the same instrument.

29.11 ~~29.11~~ **Amendment.**

The Parties may by mutual agreement amend this Agreement, by a written instrument duly executed by ~~all three of~~ the Parties.

29.12 ~~29.12~~ **Modification by the Parties.**

The Parties may by mutual agreement amend the Appendices to this Agreement, by a written instrument duly executed by ~~all three of~~ the Parties. Such an amendment shall become effective and a part of this Agreement upon satisfaction of all Applicable Laws and Regulations.

29.13 ~~29.13~~ **Reservation of Rights.**

~~NYISO and~~ Connecting Transmission Owner shall have the right to make unilateral filings with FERC to modify this Agreement with respect to any rates, terms and conditions, charges, classifications of service, rule or regulation under section 205 or any other applicable



provision of the Federal Power Act and FERC's rules and regulations thereunder, and ~~Developer~~Interconnection Customer shall have the right to make a unilateral filing with FERC to modify this Agreement pursuant to section 206 or any other applicable provision of the Federal Power Act and FERC's rules and regulations thereunder; provided that each Party shall have the right to protest any such filing by another Party and to participate fully in any proceeding before FERC in which such modifications may be considered. Nothing in this Agreement shall limit the rights of the Parties or of FERC under sections 205 or 206 of the Federal Power Act and FERC's rules and regulations thereunder, except to the extent that the Parties otherwise mutually agree as provided herein.

29.14 ~~29.14~~ **No Partnership.**

This Agreement shall not be interpreted or construed to create an association, joint venture, agency relationship, or partnership among the Parties or to impose any partnership obligation or partnership liability upon any Party. No Party shall have any right, power or authority to enter into any agreement or undertaking for, or act on behalf of, or to act as or be an agent or representative of, or to otherwise bind, any other Party.

29.15 ~~29.15~~ **Other Transmission Rights.**

Notwithstanding any other provision of this Agreement, nothing herein shall be construed as relinquishing or foreclosing any rights, including but not limited to firm transmission rights, capacity rights, or transmission congestion rights that the ~~Developer~~Interconnection Customer shall be entitled to, now or in the future under any other agreement or tariff as a result of, or otherwise associated with, the transmission capacity, if any, created by the System Upgrade Facilities and System Deliverability Upgrades.

IN WITNESS WHEREOF, the Parties have executed this LGIA in duplicate originals, each of which shall constitute and be an original effective Agreement between the Parties.

Sithe/Independence  
Power Partners, LP

Niagara Mohawk Power Corporation  
d/b/a National Grid

By: \_\_\_\_\_  
\_\_\_\_\_

By: \_\_\_\_\_

~~New York Independent System Operator, Inc.~~ Title: \_\_\_\_\_

Title: \_\_\_\_\_

By: \_\_\_\_\_

Title: \_\_\_\_\_

Date: \_\_\_\_\_

~~[Insert Name of Connecting Transmission Owner]~~

By: \_\_\_\_\_

Title: \_\_\_\_\_

Date: \_\_\_\_\_

Date: \_\_\_\_\_

~~[Insert Name of Developer]~~

By: \_\_\_\_\_

Title: \_\_\_\_\_

Date: \_\_\_\_\_

## APPENDICES

### Appendix A

~~Attachment Facilities and System Upgrade Facilities~~  
[Interconnection Diagram](#)

### Appendix B

Milestones

### Appendix C

Interconnection Details

### Appendix D

Security Arrangements Details

### Appendix E

Commercial Operation Date

### Appendix F

Addresses for Delivery of Notices and Billings

### Appendix G

~~Interconnection Requirements for a Wind-Generating Plant~~  
[Operation and Maintenance](#)

### [Appendix H](#)

[List of Non-Applicable \*Pro-Forma\* New York ISO LGIA Provisions](#)

APPENDIX A

Attachment Facilities and System Upgrade Facilities

1. Attachment Facilities:

Facilities]: (a) ~~insert Developer's~~ Interconnection Customer's Attachment

i. Six (6) Transformers

ii. Two (2) 345kV Switches

iii. Two (2) 345kV transmission lines designated Lines 27 and 28, each approx. ¼ mile in length

(b) ~~insert Connecting~~ Transmission Owner's Attachment Facilities]:

i. Two (2) 345 kV Switches and associated grounding switches

ii. Two(2) steel take-off structures

iii. Two (2) Revenue Meters and associated RTUs, including potential and current transformers

iv. Protective relaying for Lines 27 and 28

2. System Upgrade Facilities:

(a) Transmission Owner's Independence Breaker and Half Station including breakers and switches

(b) The 345 kV Independence to Scriba #25 Line and associated protective relaying and telemetry

(c) The 345 kV Independence to Clay # 26 Line and associated protective relaying and telemetry

(d) Breakers and Switches associated with Lines 25 and 26 and related Protective Relaying and Telemetry at Clay and Scriba Stations

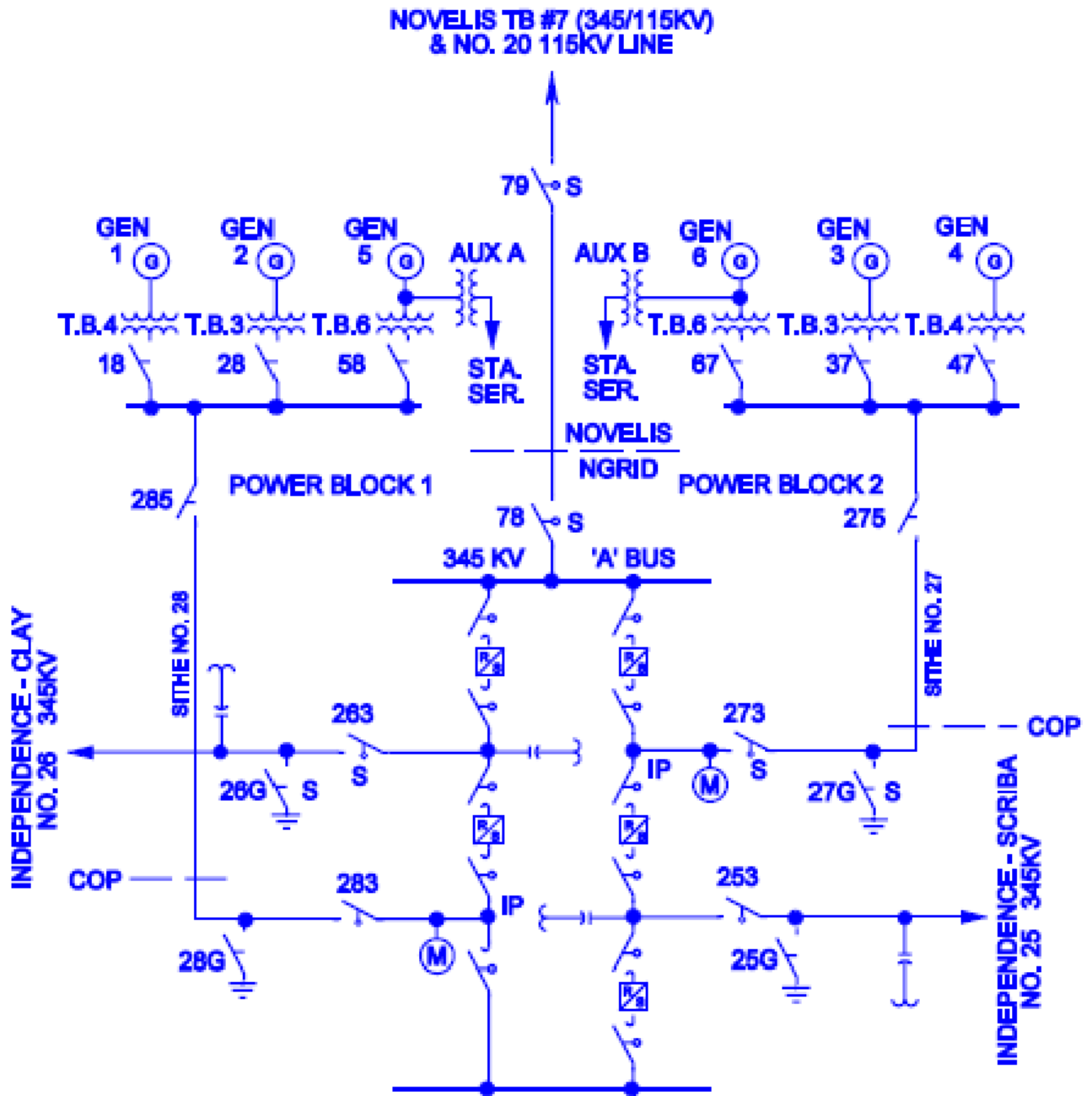
(a) ~~[insert Stand Alone System Upgrade Facilities]:~~

(b) ~~[insert Other System Upgrade Facilities]:~~

## Interconnection Diagram

(Added graphics)

**SITHE INDEPENDENCE INTERCONNECTION DIAGRAM**



**COP = CHANGE OF OWNERSHIP POINT**  
**SITHE INDEPENDENCE - NGRID**

**IP = INTERCONNECTION POINT**

**3. ~~System Deliverability Upgrades:~~**



**APPENDIX B—**

**Milestones**

[Large Generating Facility in Existence – Not Applicable](#)

## APPENDIX C—

### Interconnection Details

#### **I. Description of the Large Generating Facility**

Sithe Independence is a natural gas fueled gas turbine-combined cycle generator with a nameplate rating of 1254MW located in the Town of Scriba, NY. The Generator is split into two 627 MW blocks, each with two gas turbine electric generators and one heat recovery boiler steam turbine-generators. The four gas turbines are GE Frame 7FA, each rated at 208MW.

The Large Generating Facility is interconnected to the transmission system through Independence Station, a breaker and a half switching station located northeast of Oswego NY via two 345 kV lines (designated as Lines 27 and 28) owned, maintained and operated by the Generator. The two Points of Interconnection (IP) are identified in Appendix A.

#### **II. Interconnection Customer Operating Requirements**

The Interconnection Customer must comply with all applicable NYISO tariffs and procedures, as amended from time to time.

The Interconnection Customer must comply with Connecting Transmission Owner's operating instructions and requirements as set out in the most current version of National Grid's Electric System Bulletin 756 (as updated from time to time), as referenced in Article 9.3 of this Agreement, which requirements shall include the dedicated data circuits, including protection circuits, to be maintained by the Transmission Customer in accordance with Article 8.1 of this Agreement.

With respect to Capacity Resource Interconnection Service ("CRIS"), the Large Generating Facility has a CRIS value of 954 MW.

## APPENDIX D—

### Security Arrangements Details

Infrastructure security of New York State Transmission System equipment and operations and control hardware and software is essential to ensure day-to-day New York State Transmission System reliability and operational security. The Commission will expect the NYISO, all Transmission Owners, all ~~Developers~~[Interconnection Customers](#) and all other Market Participants to comply with the recommendations offered by the President's Critical Infrastructure Protection Board and, eventually, best practice recommendations from the electric reliability authority. All public utilities will be expected to meet basic standards for system infrastructure and operational security, including physical, operational, and cyber-security practices.

|

|

**APPENDIX E—**

**Commercial Operation Date**

Interconnection Customer commenced Commercial Operation of the Large Generating Facility on November 15, 1994, the Commercial Operation Date.

~~\_\_\_\_\_ [Date]~~

~~\_\_\_\_\_ [NYISO Address] \_\_\_\_\_~~

~~[Connecting Transmission Owner Address]~~

~~Re: \_\_\_\_\_ Large Generating Facility~~

~~Dear \_\_\_\_\_:~~

~~On [Date] [Developer] has completed Trial Operation of Unit No. \_\_\_\_\_. This letter confirms that [Developer] commenced Commercial Operation of Unit No. \_\_\_\_ at the Large Generating Facility, effective as of [Date plus one day].~~

~~\_\_\_\_\_ Thank you.~~

~~\_\_\_\_\_ [Signature]~~

~~\_\_\_\_\_ [Developer Representative]~~

**APPENDIX F—**

**Addresses for Delivery of Notices and Billings**

**Notices:-**

NYISO:

~~[To be supplied.]~~

New York Independent System Operator, Inc.  
Attn: Vice President, Operations  
3890 Carman Road  
Schenectady, NY 12303  
Phone: (518) 356-6000  
Fax: (518) 356-6118

Connecting Transmission Owner:

William L. Malee  
Director, Transmission Commercial  
National Grid  
40 Sylvan Road  
Waltham, MA 02451  
Phone: (781) 907-2422  
Fax: (781) 907-5707  
Email: bill.malee@nationalgrid.com

~~————— [To be supplied.]~~

~~————— DeveloperInterconnection Customer:~~

~~————— [To be supplied.]~~

Sithe Independence Power Partners, L.P.  
Attn: Larry Messina  
Administrative Manager  
76 Independence Way  
Oswego, NY 13126  
Phone: (315) 349-5104  
Fax: (315) 342-8425  
Larry.Messina@dynegy.com

**Billings and Payments:**

Connecting Transmission Owner:

[William L. Malee](#)  
[Director, Transmission Commercial](#)  
[National Grid](#)  
[40 Sylvan Road](#)  
[Waltham, MA 02451](#)  
[Phone: \(781\) 907-2422](#)  
[Fax: \(781\) 907-5707](#)  
[Email: bill.malee@nationalgrid.com](#)

~~—————~~ ~~[To be supplied.]~~

~~—————~~ ~~Developer~~ [Interconnection Customer:](#)

[Sithe Independence Power Partners, L.P.](#)  
[Attn: Larry Messina](#)  
[Administrative Manager](#)  
[76 Independence Way](#)  
[Oswego, NY 13126](#)  
[Phone: \(315\) 349-5104](#)  
[Fax: \(315\) 342-8425](#)  
[Larry.Messina@dynegy.com](#)

~~—————~~ ~~[To be supplied.]~~



**Alternative Forms of Delivery of Notices (telephone, facsimile or email):**

NYISO:

~~[To be supplied.]~~

New York Independent System Operator, Inc.  
Attn: Vice President, Operations  
3890 Carman Road  
Schenectady, NY 12303  
Phone: (518) 356-6000  
Fax: (518) 356-6118

Connecting Transmission Owner:

William L. Malee  
Director, Transmission Commercial  
National Grid  
40 Sylvan Road  
Waltham, MA 02451  
Phone: (781) 907-2422  
Fax: (781) 907-5707  
Email: bill.malee@nationalgrid.com

~~————— [To be supplied.]~~

~~————— Developer Interconnection Customer:~~

Sithe Independence Power Partners, L.P.  
Attn: Larry Messina  
Administrative Manager  
76 Independence Way  
Oswego, NY 13126  
Phone: (315) 349-5104  
Fax: (315) 342-8425

| [Larry.Messina@dynegy.com](mailto:Larry.Messina@dynegy.com)

|

| ——— [To be supplied.]

## ~~APPENDIX G — INTERCONNECTION REQUIREMENTS FOR A WIND-GENERATING PLANT~~

~~Appendix G sets forth requirements and provisions specific to a wind generating plant. All other requirements of this LGIA continue to apply to wind generating plant interconnections.~~

### ~~A. Technical Standards Applicable to a Wind Generating Plant~~

#### ~~i. Low Voltage Ride-Through (LVRT) Capability~~

~~A wind generating plant shall be able to remain online during voltage disturbances up to the time periods and associated voltage levels set forth in the standard below. The LVRT standard provides for a transition period standard and a post-transition period standard.~~

#### ~~Transition Period LVRT Standard~~

~~The transition period standard applies to wind generating plants subject to FERC Order 661 that have either: (i) interconnection agreements signed and filed with the Commission, filed with the Commission in unexecuted form, finally executed as conforming agreements, or filed with the Commission as non-conforming agreements between January 1, 2006 and December 31, 2006, with a scheduled in-service date no later than December 31, 2007, or (ii) wind generating turbines subject to a wind turbine procurement contract executed prior to December 31, 2005, for delivery through 2007.~~

- ~~1. Wind generating plants are required to remain in-service during three-phase faults with normal clearing (which is a time period of approximately 4–9 cycles) and single line to ground faults with delayed clearing, and subsequent post-fault voltage recovery to pre-fault voltage unless clearing the fault effectively disconnects the generator from the system. The clearing time requirement for a three-phase fault will be specific to the wind generating plant substation location, as determined by and documented by the Connecting-Transmission Owner for the Transmission District to which the wind generating plant will be interconnected. The maximum clearing time the wind generating plant shall be required to withstand for a three-phase fault shall be 9 cycles at a voltage as low as 0.15 p.u., as measured at the high side of the wind generating plant step-up transformer (i.e. the transformer that steps the voltage up to the transmission interconnection voltage or “GSU”), after which, if the fault remains following the location-specific normal clearing time for three-phase faults, the wind generating plant may disconnect from the transmission system.~~
- ~~2. This requirement does not apply to faults that would occur between the wind generator terminals and the high side of the GSU or to faults that would result in a voltage lower than 0.15 per unit on the high side of the GSU serving the facility.~~
- ~~3. Wind generating plants may be tripped after the fault period if this action is intended as part of a special protection system.~~

- ~~4. Wind generating plants may meet the LVRT requirements of this standard by the performance of the generators or by installing additional equipment (e.g., Static VAR Compensator, etc.) within the wind generating plant or by a combination of generator performance and additional equipment.~~
- ~~5. Existing individual generator units that are, or have been, interconnected to the network at the same location at the effective date of the Appendix G LVRT Standard are exempt from meeting the Appendix G LVRT Standard for the remaining life of the existing generation equipment. Existing individual generator units that are replaced are required to meet the Appendix G LVRT Standard.~~

### **Post-transition Period LVRT Standard**

All wind generating plants subject to FERC Order No. 661 and not covered by the transition period described above must meet the following requirements:

- ~~1. Wind generating plants are required to remain in service during three phase faults with normal clearing (which is a time period of approximately 4–9 cycles) and single line to ground faults with delayed clearing, and subsequent post-fault voltage recovery to pre-fault voltage unless clearing the fault effectively disconnects the generator from the system. The clearing time requirement for a three phase fault will be specific to the wind generating plant substation location, as determined by and documented by the Connecting Transmission Owner for the Transmission District to which the wind generating plant will be interconnected. The maximum clearing time the wind generating plant shall be required to withstand for a three phase fault shall be 9 cycles after which, if the fault remains following the location specific normal clearing time for three phase faults, the wind generating plant may disconnect from the transmission system. A wind generating plant shall remain interconnected during such a fault on the transmission system for a voltage level as low as zero volts, as measured at the high voltage side of the wind GSU.~~
- ~~2. This requirement does not apply to faults that would occur between the wind generator terminals and the high side of the GSU.~~
- ~~3. Wind generating plants may be tripped after the fault period if this action is intended as part of a special protection system.~~
- ~~4. Wind generating plants may meet the LVRT requirements of this standard by the performance of the generators or by installing additional equipment (e.g., Static VAR Compensator) within the wind generating plant or by a combination of generator performance and additional equipment.~~
- ~~5. Existing individual generator units that are, or have been, interconnected to the network at the same location at the effective date of the Appendix G LVRT Standard are exempt from meeting the Appendix G LVRT Standard for the remaining life of the existing generation equipment. Existing individual generator units that are replaced are required to meet the Appendix G LVRT Standard.~~

~~ii. Power Factor Design Criteria (Reactive Power)~~

~~A wind generating plant shall maintain a power factor within the range of 0.95 leading to 0.95 lagging, measured at the Point of Interconnection as defined in this LGIA, if the ISO's System Reliability Impact Study shows that such a requirement is necessary to ensure safety or reliability.~~

~~The power factor range standard can be met using, for example without limitation, power electronics designed to supply this level of reactive capability (taking into account any limitations due to voltage level, real power output, etc.) or fixed and switched capacitors if agreed to by the Connecting Transmission Owner for the Transmission District to which the wind generating plant will be interconnected, or a combination of the two. The Developer shall not disable power factor equipment while the wind plant is in operation. Wind plants shall also be able to provide sufficient dynamic voltage support in lieu of the power system stabilizer and automatic voltage regulation at the generator excitation system if the System Reliability Impact Study shows this to be required for system safety or reliability.~~

~~iii. Supervisory Control and Data Acquisition (SCADA) Capability~~

~~The wind plant shall provide SCADA capability to transmit data and receive instructions from the ISO and/or the Connecting Transmission Owner for the Transmission District to which the wind generating plant will be interconnected, as applicable, to protect system reliability. The Connecting Transmission Owner for the Transmission District to which the wind generating plant will be interconnected and the wind plant Developer shall determine what SCADA information is essential for the proposed wind plant, taking into account the size of the plant and its characteristics, location, and importance in maintaining generation resource adequacy and transmission system reliability in its area.~~

## APPENDIX G

### Operation and Maintenance

In accordance with Article 10.5 of this Agreement, Interconnection Customer shall be responsible for all reasonable expenses (“O&M Expenses”) associated with the operation, maintenance, repair and replacement of Connecting Transmission Owner’s Attachment Facilities, as defined in Appendix A.

Interconnection Customer shall have the option to pay such O&M Expenses either under the procedure described in **Option 1** or in **Option 2** below.

#### **Option 1: Fixed On-Going Charge Payment:**

Connecting Transmission Owner will invoice and Interconnection Customer shall pay an annual payment to the Connecting Transmission Owner equal to the product of the Gross Plant Investment associated with the Connecting Transmission Owner Attachment Facility and the Annual Transmission Ongoing Charge Factor for the term of this Agreement.

All payments due to be made by Interconnection Customer shall be made within thirty (30) days after receiving an invoice from Connecting Transmission Owner.

The Project’s Gross Connecting Transmission Owner’s Attachment Facilities Plant Investment cost shall be established in writing by Connecting Transmission Owner no later than 90 days following the effective date of this Agreement.

The Annual On-Going Charge Factor shall be calculated annually each July based on the Connecting Transmission Owner’s most recently filed FERC Form 1 data and will equal the sum of the Revenue Requirement Components as identified on O&M Attachment 1 divided by the Total Gross Plant of the Connecting Transmission Owner. Total Gross Plant shall equal the sum of Item Nos. A (1)(a)(b) and (c) in O&M Attachment 1.

#### **Option 2: Annual Actual O&M Expenses:**

Interconnection Customer shall pay for all actual O&M Expenses incurred by Connecting Transmission Owner, which expenses shall be billed by Connecting Transmission Owner quarterly as accumulated during the calendar quarter for which they were incurred.

All payments due to be made by Interconnection Customer shall be made within thirty (30) days after receiving an invoice from Connecting Transmission Owner, which invoice shall be issued after the end of each calendar quarter for the most recent quarter.



**Selection by Interconnection Customer:**

Interconnection Customer shall select which option for paying O&M Expenses by providing written notice to the Connecting Transmission Owner within thirty (30) days after receiving from the Connecting Transmission Owner the Gross Connecting Transmission Owner's Attachment Facilities Plant Investment cost and the most recent Annual Transmission Ongoing Charge Factor. If Interconnection Customer fails to provide timely notice to Connecting Transmission Owner of the option selected, Interconnection Customer will be deemed to have selected Option 2: Annual Actual O&M Expenses.

## O&M ATTACHMENT 1

Capitalized terms used in this calculation will have the following definitions:

### Allocation Factors

1. General Plant Allocation Factor shall equal Electric General Plant divided by the sum of Electric General Plant plus gas general plant as reported in the Annual Report filed with the New York State Public Service Commission.
2. Gross Transmission Plant Allocation Factor shall equal the total investment in Transmission Plant in Service divided by the sum of the total Transmission Plant in Service plus the total Distribution Plant in Service, excluding Intangible Plant, General Plant and Common Plant.
3. Transmission Wages and Salaries Allocation Factor shall equal the ratio of Connecting Transmission Owner's Transmission-related direct electric wages and salaries including any direct wages or salaries charged to Connecting Transmission Owner by a National Grid Affiliate to Connecting Transmission Owner's total electric direct wages and salaries including any wages charged to Connecting Transmission Owner by a National Grid Affiliate excluding any electric administrative and general wages and salaries.

### Ratebase and Expense items

1. Administrative and General Expense shall equal electric expenses as recorded in FERC Account Nos. 920-935.
2. Amortization of Investment Tax Credits shall equal electric credits as recorded in FERC Account No. 411.4.
3. Distribution Plant in Service shall equal the gross plant balance as recorded in FERC Account Nos. 360 – 374.
4. Electric Common Plant shall equal the balance of Common Plant recorded in FERC Account Nos. 389-399 multiplied by the General Plant Allocation Factor.
5. General Plant shall equal electric gross general plant balance recorded in FERC Account Nos. 389-399.
6. Materials and Supplies shall equal electric materials and supplies balance as recorded in FERC Account No. 154.
7. Payroll Taxes shall equal those electric payroll tax expenses as recorded in FERC Account Nos. 408.100, 408.110, and 408.130.
8. Prepayments shall equal electric prepayment balance as recorded in FERC Account No. 165.

9. Real Estate Tax Expenses shall equal electric transmission-related real estate tax expense as recorded in FERC Account No. 408.140 and 408.180.
10. Transmission Operation and Maintenance Expense shall equal electric expenses as recorded in FERC Account Nos. 560, 562-573.
11. Transmission Plant in Service shall equal the gross plant balance as recorded in FERC Account Nos. 350-359.
12. Transmission Revenue Credits shall equal the revenue reported in Account 456
13. Transmission Related Bad Debt Expense shall equal Bad Debt Expense as reported in Account 904 related to transmission billing.
14. Wholesale Metering Cost shall equal any costs associated with any Revenue or Remote Terminal Unit (RTU) meters and associated equipment located at an internal or external tie at voltages equal to or greater than 23V. The cost shall be determined by multiplying the number of wholesale meters in FERC Account No. 370.3 by the average cost of the meters plus the average costs of installation.

In the event that the above-referenced FERC accounts are renumbered, renamed, or otherwise modified, the above sections shall be deemed amended to incorporate such renumbered, renamed, modified or additional accounts.

#### Revenue Requirement Components

The Revenue Requirement Component shall be the sum of Connecting Transmission Owner's (A) Return and Associated Income Taxes, (B) Transmission Related Real Estate Tax Expense, (C) Transmission Related Amortization of Investment Tax Credits, (D) Transmission Related Payroll Tax Expense, (E) Transmission Operation and Maintenance Expense, (F) Transmission Related Administrative and General Expenses, less (G) Revenue Credits, plus (H) Bad Debt Expense.

A. Return and Associated Income Taxes shall equal the product of the Transmission Investment Base as identified in A(1) below and the Cost of Capital Rate.

1. Transmission Investment Base shall be defined as:

Transmission Related General Plant plus Transmission Related Common Plant plus Transmission Related Regulatory Assets plus Transmission Related Prepayments plus Transmission Related Materials and Supplies plus Transmission Related Cash Working Capital.

(a) Transmission Plant in Service shall equal the balance of Total investment in Transmission Plant plus Wholesale Metering Cost.

- (b) Transmission Related General Plant shall equal the balance of investment in General Plant multiplied by the Transmission Wages and Salaries Allocation Factor.
- (c) Transmission Related Common Plant shall equal Electric Common Plant multiplied by the Gross Transmission Plant Allocation Factor and multiplied by the Transmission Wages and Salaries Allocation Factor.
- (d) Transmission Related Regulatory Assets shall equal balances in FERC Account Nos. 182.3 and 254 for state and federal regulatory assets and liabilities related to FAS109, and excess AFUDC multiplied by the Gross Transmission Plant Allocation Factor
- (e) Transmission Related Prepayments shall equal the electric balance of Prepayments multiplied by the Gross Transmission Plant Allocation Factor.
- (f) Transmission Related Materials and Supplies shall equal the balance of Materials and Supplies assigned to Transmission added to the remainder of Material and Supplies not directly assigned to either Transmission or Distribution multiplied by the Gross Transmission Plant Allocation Factor.
- (g) Transmission Related Cash Working Capital shall be a 12.5% allowance (45 days/360 days) of the Transmission Operation and Maintenance Expense (less FERC Account 565: Transmission of Electricity by Others) and Transmission-Related Administrative and General Expense.

## 2. Cost of Capital Rate

The Cost of Capital Rate shall equal the proposed Weighted Costs of Capital plus Federal Income Taxes and State Income Taxes.

- (a) The Weighted Costs of Capital will be calculated for the Transmission Investment Base using Connecting Transmission Owner's actual capital structure and will equal the sum of (i), (ii), and (iii) below:
  - (i) the long-term debt component, which equals the product of the actual weighted average embedded cost to maturity of Connecting Transmission Owner's long-term debt then outstanding and the actual long-term debt capitalization ratio.
  - (ii) the preferred stock component, which equals the product of the actual weighted average embedded cost to maturity of Connecting Transmission Owner's preferred stock then outstanding and the actual preferred stock capitalization ratio;
  - (iii) the return on equity component, shall be the product of the allowed ROE of 11.9% plus a 50 basis point adder (per FERC Order 697

and 697A) and Connecting Transmission Owner's actual common equity capitalization ratio.

(b) Federal Income Tax shall equal

$$\frac{A \times \text{Federal Income Tax Rate}}{(1 - \text{Federal Income Tax Rate})}$$

where A is the sum of the preferred stock component and the return on equity component, each as determined in Sections 2.(a)(ii) and for the ROE set forth in 2.(a)(iii) above

(c) State Income Tax shall equal

$$\frac{(A + \text{Federal Income Tax}) \times \text{State Income Tax Rate}}{(1 - \text{State Income Tax Rate})}$$

Where A is the sum of the preferred stock component and the return on equity component as determined in A.2.(a)(ii) and A.2.(a)(iii) above and Federal income Tax is determined in 2.(b) above.

- B. Transmission Related Real Estate Tax Expense shall equal the Real Estate Tax Expenses multiplied by the Gross Plant Allocation Factor.
- C. Transmission Related Amortization of Investment Tax Credits shall equal the electric Amortization of Investment Tax Credits multiplied by the Gross Transmission Plant Allocation Factor.
- D. Transmission Related Payroll Tax Expense shall equal Payroll Taxes multiplied by the Transmission Wages and Salaries Allocation Factor.
- E. Transmission Operation and Maintenance Expense shall equal the Transmission Operation and Maintenance Expense as previously defined.
- F. Transmission Related Administrative and General Expenses shall equal the sum of the electric Administrative and General Expenses multiplied by the Transmission Wages and Salaries Allocation Factor.
- G. Revenue Credits shall equal all Transmission revenue recorded in FERC account 456.
- H. Transmission Related Bad Debt Expense shall equal Transmission Related Bad Debt Expense as previously defined.

## Appendix H

### List of Non-Applicable Pro-Forma LGIA Provisions

Prior to the execution of this Agreement, Connecting Transmission Owner and Interconnection Customer were interconnected pursuant to a pre-existing interconnection agreement. Connecting Transmission Owner and Interconnection Customer have entered into this Agreement to provide for continued interconnection service to the Large Generating Facility using the transmission system own by Connecting Transmission Owner. Consequently, certain terms of the *pro-forma* New York ISO LGIA are not applicable to this Agreement because they relate solely to new interconnections. The Parties to this Agreement have nevertheless agreed to use the *pro-forma* New York ISO LGIA with almost no modifications, in accordance with FERC's policy promoting the use of *pro-forma* interconnection agreements wherever possible. The Parties, however, believe that the following provisions of the *pro-forma* New York ISO LGIA are not applicable to this Agreement:

Section 5.1 (Options), including all subsections thereof

Section 5.2 (General Conditions Applicable to Option to Build), including all subsections thereof

Section 5.3 (Liquidated Damages)

Section 5.5 (Equipment Procurement), including all subsections thereof

Section 5.6 (Construction Commencement), including all subsections thereof

Section 5.7 (Work Progress)

Section 5.8 (Information Exchange)

Section 5.9 (Limited Operation)

Section 5.10 (Interconnection Customer Attachment Facilities), including all subsections thereof

Section 5.11 (Connecting Transmission Owner's Attachment Facilities Construction), including all subsections thereof

Section 5.14 (Permits)

Section 5.15 (Early Construction of Base Case Facilities)

Section 6.1 (Pre Commercial Operation Date Testing and Modification)

Section 11.4 (Special Provisions for Affected Systems)

Section 11.5 (Provision of Security), including all subsections thereof

Section 12.2 (Final Invoice)

Section 24.1 (Information Acquisition)

Section 24.2 (Information Submission by Transmission Owner)

Section 24.3 (Updated Information Submission by Interconnection Customer)

Section 24.4 (Information Supplementation) except that third paragraph thereof shall apply

Section 25.4.1 (Audit Rights Period for Construction Related Accounts)

Appendix B (Milestones)