

SERVICE AGREEMENT NO. 2734

SERVICE

AGREEMENT NO.

2734

TRANSMISSION

PROJECT

INTERCONNECTION

AGREEMENT

AMONG THE

NEW YORK INDEPENDENT SYSTEM

OPERATOR, INC.

AND

CONSOLIDATED EDISON COMPANY OF NEW

YORK, INC.

AND

NEW YORK

TRANSCO, LLC

Dated as of

November 17, 2022

**(Dover PAR Substation for
New York Energy Solution Segment B Transmission Project)**

SERVICE AGREEMENT NO. 2734

TABLE OF CONTENTS

| | Page Number |
|--|-------------|
| ARTICLE 1. DEFINITIONS | 2 |
| ARTICLE 2. EFFECTIVE DATE, TERM AND TERMINATION | 8 |
| Effective Date | 8 |
| Term of Agreement | 8 |
| Termination | 8 |
| Termination Costs | 10 |
| Disconnection | 11 |
| Survival | 11 |
| ARTICLE 3. REGULATORY FILINGS | 11 |
| ARTICLE 4. SCOPE OF SERVICE | 11 |
| Interconnection of Transmission Facilities | 11 |
| No Transmission Delivery Service | 12 |
| No Other Services | 12 |
| ARTICLE 5. NETWORK UPGRADE FACILITIES ENGINEERING, PROCUREMENT, AND CONSTRUCTION | 12 |
| Network Upgrade Facilities | 12 |
| General Conditions Applicable to Network Upgrade Facilities Constructed by Transmission Developer | 12 |
| Equipment Procurement | 14 |
| Construction Commencement | 14 |
| Work Progress | 14 |
| Information Exchange | 15 |
| Network Upgrade Facilities | 15 |
| Access Rights | 15 |
| Lands of Other Property Owners | 16 |
| Permits | 16 |
| Suspension | 16 |
| Taxes | 17 |
| Tax Status; Non-Jurisdictional Entities | 22 |
| Modification | 22 |
| ARTICLE 6. TESTING AND INSPECTION | 23 |
| Pre-In-Service Date Testing and Modifications | 23 |
| Post-In-Service Date Testing and Modifications | 23 |
| Right to Observe Testing | 23 |
| Right to Inspect | 24 |
| ARTICLE 7. METERING | 24 |
| General | 24 |
| Check Meters | 24 |
| Standards | 24 |
| Testing of Metering Equipment | 25 |
| Metering Data | 25 |

ARTICLE 8. COMMUNICATIONS25
Transmission Developer Obligations..... 25

SERVICE AGREEMENT NO. 2734

| | | |
|-------------|---|----|
| | Remote Terminal Unit..... | 26 |
| | No Annexation..... | 26 |
| ARTICLE 9. | OPERATIONS | 26 |
| | General | 26 |
| | NYISO and Connecting Transmission Owner Obligations..... | 26 |
| | Transmission Developer Obligations..... | 27 |
| | Outages and Interruptions | 27 |
| | Switching and Tagging Rules..... | 30 |
| | Disturbance Analysis Data Exchange..... | 30 |
| ARTICLE 10. | MAINTENANCE..... | 30 |
| | Connecting Transmission Owner Obligations | 30 |
| | Transmission Developer Obligations..... | 30 |
| | Coordination | 30 |
| | Secondary Systems | 30 |
| | Operating and Maintenance Expenses..... | 31 |
| ARTICLE 11. | PERFORMANCE OBLIGATION | 31 |
| | Transmission Project..... | 31 |
| | Network Upgrade Facilities..... | 31 |
| | Special Provisions for Affected Systems..... | 31 |
| | Provision of Security..... | 31 |
| | Forfeiture of Security | 32 |
| | Network Upgrade Facility Costs | 33 |
| | Line Outage Costs..... | 33 |
| ARTICLE 12. | INVOICE | 33 |
| | General | 33 |
| | Final Invoice and Refund of Remaining Security | 34 |
| | Payment | 34 |
| | Disputes | 34 |
| ARTICLE 13. | EMERGENCIES | 34 |
| | Obligations..... | 34 |
| | Notice | 35 |
| | Immediate Action..... | 35 |
| | NYISO, Transmission Developer, and Connecting Transmission Owner Authority. 35 | |
| | Limited Liability | 35 |
| ARTICLE 14. | REGULATORY REQUIREMENTS AND GOVERNING LAW | 35 |
| | Regulatory Requirements..... | 35 |
| | Governing Law | 36 |
| ARTICLE 15. | NOTICES..... | 36 |
| | General | 36 |
| | Billings and Payments..... | 36 |
| | Alternative Forms of Notice..... | 36 |
| | Operations and Maintenance Notice..... | 36 |
| ARTICLE 16. | FORCE MAJEURE..... | 37 |
| ARTICLE 17. | DEFAULT..... | 37 |

SERVICE AGREEMENT NO. 2734

[REDACTED] Right to Terminate 37
ARTICLE 18. INDEMNITY, CONSEQUENTIAL DAMAGES AND INSURANCE 37
[REDACTED] Indemnity..... 37
[REDACTED] No Consequential Damages 39
[REDACTED] Insurance..... 39
ARTICLE 19. ASSIGNMENT 41
ARTICLE 20. SEVERABILITY 42
ARTICLE 21. COMPARABILITY 42
ARTICLE 22. CONFIDENTIALITY 42
[REDACTED] Confidentiality 42
[REDACTED] Term 42
[REDACTED] Confidential Information..... 42
[REDACTED] Scope 43
[REDACTED] Release of Confidential Information..... 43
[REDACTED] Rights..... 43
[REDACTED] No Warranties 43
[REDACTED] Standard of Care 44
[REDACTED] Order of Disclosure 44
[REDACTED] Termination of Agreement 44
[REDACTED] Remedies 44
[REDACTED] Disclosure to FERC, its Staff, or a State..... 45
[REDACTED] Required Notices Upon Requests or Demands for Confidential Information . 45
**ARTICLE 23. TRANSMISSION DEVELOPER AND CONNECTING TRANSMISSION
 OWNER NOTICES OF ENVIRONMENTAL RELEASES** 45
ARTICLE 24. INFORMATION REQUIREMENT 46
[REDACTED] Information Acquisition 46
[REDACTED] Information Submission Concerning the Network Upgrade Facilities 46
[REDACTED] Updated Information Submission Concerning the Transmission Project 46
[REDACTED] Information Supplementation..... 47
ARTICLE 25. INFORMATION ACCESS AND AUDIT RIGHTS..... 47
[REDACTED] Information Access 47
[REDACTED] Reporting of Non-Force Majeure Events..... 47
[REDACTED] Audit Rights..... 48
[REDACTED] Audit Rights Periods 48
[REDACTED] Audit Results 48
ARTICLE 26. SUBCONTRACTORS 48
[REDACTED] General 48
[REDACTED] Responsibility of Principal 49
[REDACTED] No Limitation by Insurance..... 49
ARTICLE 27. DISPUTES 49
[REDACTED] Submission..... 49
[REDACTED] External Arbitration Procedures 49
[REDACTED] Arbitration Decisions 50
[REDACTED] Costs 50
[REDACTED] Termination 50

SERVICE AGREEMENT NO. 2734

| | | |
|--------------------------------|-------------------------------------|----|
| [REDACTED] | General | 50 |
| ARTICLE 29. MISCELLANEOUS..... | | 51 |
| [REDACTED] | Binding Effect..... | 51 |
| [REDACTED] | Conflicts..... | 51 |
| [REDACTED] | Rules of Interpretation..... | 51 |
| [REDACTED] | Compliance..... | 52 |
| [REDACTED] | Joint and Several Obligations | 52 |
| [REDACTED] | Entire Agreement | 52 |
| [REDACTED] | No Third Party Beneficiaries..... | 52 |
| [REDACTED] | Waiver | 53 |
| [REDACTED] | Headings | 53 |
| [REDACTED] | Multiple Counterparts | 53 |
| [REDACTED] | Amendment | 53 |
| [REDACTED] | Modification by the Parties | 53 |
| | Reservation of Rights..... | 53 |
| | No Partnership | 54 |
| | Other Transmission Rights..... | 54 |

Appendices

SERVICE AGREEMENT NO. 2734

TRANSMISSION PROJECT INTERCONNECTION AGREEMENT

THIS TRANSMISSION PROJECT INTERCONNECTION AGREEMENT (“Agreement”) is made and entered into this 17th day of November 2022, by and among New York Transco, LLC, a limited liability company organized and existing under the laws of the State of New York (“Transmission Developer” with a Transmission Project), the New York Independent System Operator, Inc., a not-for-profit corporation organized and existing under the laws of the State of New York (“NYISO”), and Consolidated Edison Company of New York, Inc. a transportation corporation organized and existing under the laws of the State of New York (“Connecting Transmission Owner”). Transmission Developer, the NYISO, or Connecting Transmission Owner each may be referred to as a “Party” or collectively referred to as the “Parties.”

RECITALS

WHEREAS, NYISO operates the New York State Transmission System, and Connecting Transmission Owner owns certain facilities included in the New York State Transmission System;

WHEREAS, Transmission Developer intends to construct, own, and operate a Transmission Project described in Appendix C to this Agreement that will interconnect to the New York State Transmission System;

WHEREAS, the NYISO selected the Transmission Project proposed by Transmission Developer and Niagara Mohawk Power Corporation d/b/a National Grid (“National Grid”) as the more efficient or cost effective transmission solution to address a Public Policy Transmission Need in accordance with the NYISO’s Public Policy Transmission Planning Process located in Attachment Y of the ISO OATT;

WHEREAS, Transmission Developer and National Grid entered into the Development Agreement (as defined herein) with the NYISO for purposes of constructing the Transmission Project and placing it in-service to satisfy the Public Policy Transmission Need;

WHEREAS, National Grid assigned its rights, duties, and obligations under the Development Agreement to Transmission Developer on March 10, 2020, giving Transmission Developer sole rights to the development of the Transmission Project;

WHEREAS, the Parties acknowledge that Connecting Transmission Owner is not a party to the Development Agreement and is not bound by any of the terms or conditions contained therein;

WHEREAS, the Transmission Project was evaluated pursuant to the NYISO’s Transmission Interconnection Procedures located in Attachment P of the ISO OATT;

WHEREAS, portions of the Transmission Project will interconnect to the New York State Transmission System at several different facilities owned and operated by the Connecting Transmission Owner;

SERVICE AGREEMENT NO. 2734

WHEREAS, Transmission Interconnection Studies determined that certain Network Upgrade Facilities were required on the Connecting Transmission Owner's and the Transmission Developer's systems for the Transmission Project to connect reliably to the systems in a manner that meets the NYISO Transmission Interconnection Standard;

WHEREAS, the Parties agreed to enter into two separate Transmission Project Interconnection Agreements to address the interconnection of the Transmission Project at different facilities owned and operated by Connecting Transmission Owner, as described in Appendix A; and

WHEREAS, Transmission Developer, NYISO, and Connecting Transmission Owner have agreed to enter into this Agreement for the purpose of interconnecting a certain portion of the Transmission Project as specified in Appendix A with the Connecting Transmission Owner's Line 398 345 kV transmission line included in the New York State Transmission System and constructing and placing in-service the Network Upgrade Facilities that will be owned and operated by the Connecting Transmission Owner as specified in Appendix A;

NOW, THEREFORE, in consideration of and subject to the mutual covenants contained herein, it is agreed:

ARTICLE 1. DEFINITIONS

Whenever used in this Agreement with initial capitalization, the following terms shall have the meanings specified in this Article 1. Terms used in this Agreement with initial capitalization that are not defined in this Article 1 shall have the meanings specified in Section 1 of the ISO OATT, Section 22.1 of Attachment P of the ISO OATT, Section 25.1.2 of Attachment S of the ISO OATT, the body of the Transmission Interconnection Procedures or the body of this Agreement.

Affected System shall mean an electric system other than the transmission system owned, controlled or operated by the Connecting Transmission Owner that may be affected by the proposed interconnection.

Affected System Operator shall mean the entity that operates an Affected System.

Affected Transmission Owner shall mean the New York public utility or authority (or its designated agent) other than the Connecting Transmission Owner that (i) owns facilities used for the transmission of Energy in interstate commerce and provides Transmission Service under the Tariff, and (ii) owns, leases or otherwise possesses an interest in a portion of the New York State Transmission System where System Deliverability Upgrades, System Upgrade Facilities, or Network Upgrade Facilities are or will be installed pursuant to Attachment P, Attachment X, Attachment Z, or Attachment S to the ISO OATT.

Affiliate shall mean, with respect to a person or entity, any individual, corporation, partnership, firm, joint venture, association, joint-stock company, trust or unincorporated organization, directly or indirectly controlling, controlled by, or under common control with, such person or entity. The term "control" shall mean the possession, directly or indirectly, of the power to direct

New York Independent System Operator, Inc. - NYISO Agreements - Service Agreements - TPIA among NYISO ConEd Transco for Dover PAR
the management or policies of a person or an entity. A voting interest of ten percent or more shall
create a rebuttable presumption of control.

SERVICE AGREEMENT NO. 2734

Applicable Laws and Regulations shall mean all duly promulgated applicable federal, state and local laws, regulations, rules, ordinances, codes, decrees, judgments, directives, or judicial or administrative orders, permits and other duly authorized actions of any Governmental Authority, including but not limited to Environmental Law.

Applicable Reliability Councils shall mean the NERC, the NPCC and the NYSRC.

Applicable Reliability Standards shall mean the requirements and guidelines of the Applicable Reliability Councils, and the Transmission District to which the Transmission Developer's Transmission Project is directly interconnected, as those requirements and guidelines are amended and modified and in effect from time to time; provided that no Party shall waive its right to challenge the applicability or validity of any requirement or guideline as applied to it in the context of this Agreement.

Base Case shall mean the base case power flow, short circuit, and stability data bases used for the Transmission Interconnection Studies by the NYISO, Connecting Transmission Owner, or the Transmission Developer, as described in Section 22.6.1 of the Transmission Interconnection Procedures.

Breach shall mean the failure of a Party to perform or observe any material term or condition of this Agreement.

Breaching Party shall mean a Party that is in Breach of this Agreement.

Business Day shall mean Monday through Friday, excluding federal holidays.

Calendar Day shall mean any day including Saturday, Sunday or a federal holiday.

Confidential Information shall mean any information that is defined as confidential by Article 22 of this Agreement.

Connecting Transmission Owner shall mean the New York public utility or authority (or its designated agent) that (i) owns facilities used for the transmission of Energy in interstate commerce and provides Transmission Service under the Tariff, (ii) owns, leases or otherwise possesses an interest in the portion of the New York State Transmission System or Distribution System at the Point(s) of Interconnection, and (iii) is a Party to this Agreement. For purposes of this Agreement, the Connecting Transmission Owner is defined in the introductory paragraph.

Control Area shall mean an electric power system or combination of electric power systems to which a common automatic generation control scheme is applied in order to: (1) match, at all times, the power output of the Generators within the electric power system(s) and capacity and energy purchased from entities outside the electric power system(s), with the Load within the electric power system(s); (2) maintain scheduled interchange with other Control Areas, within the limits of Good Utility Practice; (3) maintain the frequency of the electric power system(s) within reasonable limits in accordance with Good Utility Practice; and (4) provide sufficient

New York Independent System Operator, Inc. - NYISO Agreements - Service Agreements - TPIA among NYISO ConEd Transco for Dover PAR generating capacity to maintain Operating Reserves in accordance with Good Utility Practice. A Control Area must be certified by the NPCC.

SERVICE AGREEMENT NO. 2734

Default shall mean the failure of a Party in Breach of this Agreement to cure such Breach in accordance with Article 17 of this Agreement.

Development Agreement shall mean the agreement executed between the NYISO, Transmission Developer, and Niagara Mohawk Power Corporation d/b/a National Grid concerning the development of the Transmission Project, dated January 10, 2020, and assigned by National Grid to Transmission Developer on March 10, 2020, as it may be amended from time to time.

Effective Date shall mean the date on which this Agreement becomes effective upon execution by the Parties, subject to acceptance by the Commission, or if filed unexecuted, upon the date specified by the Commission.

Emergency shall mean any abnormal condition or situation which the Connecting Transmission Owner, Transmission Developer, or NYISO, in their sole discretion, deems imminently likely to endanger life or property, or adversely affect or impair the New York State Transmission System, Connecting Transmission Owner's electrical system, the Transmission Project, or the electrical or transmission systems of others to which they are directly or indirectly connected, which requires immediate automatic or manual action to correct. Such an abnormal system condition or situation includes, without limitation, overloading or potential overloading (exceeding thermal limits of pre- and post-contingency), excessive voltage drop, exceeding voltage limits as defined by the NYISO, Transmission Developer, or Connecting Transmission Owner, load shedding, voltage reduction, operating reserve deficiencies, frequency deviations, over-generation or other non-normal conditions. Economic hardship of a Party will not constitute an "Emergency."

Emergency State shall mean the condition or state that the New York State Power System is in when an abnormal condition occurs that requires automatic or immediate manual action to prevent or limit loss of the New York State Transmission System or Generators that could adversely affect the reliability of the New York State Power System.

Environmental Law shall mean Applicable Laws and Regulations relating to pollution or protection of the environment or natural resources.

Facilities Study shall mean the study conducted pursuant to Section 22.9 of Attachment P of the ISO OATT to determine a list of facilities required to reliably interconnect the Transmission Project (including Network Upgrade Facilities) as identified in the System Impact Study, the cost of those facilities, and the time required to interconnect the Transmission Project with the New York State Transmission System.

Facilities Study Agreement shall mean the agreement described in Section 22.9.1 of Attachment P of the ISO OATT for conducting the Facilities Study.

Federal Power Act shall mean the Federal Power Act, as amended, 16 U.S.C. §§ 791a *et seq.* ("FPA").

SERVICE AGREEMENT NO. 2734

Force Majeure shall mean any act of God, labor disturbance, act of the public enemy, war, insurrection, riot, fire, storm or flood, explosion, breakage or accident to machinery or equipment, any order, regulation or restriction imposed by governmental, military or lawfully established civilian authorities, or any other cause beyond a Party's control. A Force Majeure event does not include acts of negligence or intentional wrongdoing by the Party claiming Force Majeure.

Good Utility Practice shall mean any of the practices, methods and acts engaged in or approved by a significant portion of the electric industry during the relevant time period, or any of the practices, methods and acts which, in the exercise of reasonable judgment in light of the facts known at the time the decision was made, could have been expected to accomplish the desired result at a reasonable cost consistent with good business practices, reliability, safety and expedition. Good Utility Practice is not intended to be limited to the optimum practice, method, or act to the exclusion of all others, but rather to delineate acceptable practices, methods, or acts generally accepted in the region.

Governmental Authority shall mean any federal, state, local or other governmental regulatory or administrative agency, court, commission, department, board, or other governmental subdivision, legislature, rulemaking board, tribunal, or other governmental authority having jurisdiction over any of the Parties, their respective facilities, or the respective services they provide, and exercising or entitled to exercise any administrative, executive, police, or taxing authority or power; provided, however, that such term does not include Transmission Developer, NYISO, Affected Transmission Owner, Connecting Transmission Owner, or any Affiliate thereof.

Hazardous Substances shall mean any chemicals, materials or substances defined as or included in the definition of "hazardous substances," "hazardous wastes," "hazardous materials," "hazardous constituents," "restricted hazardous materials," "extremely hazardous substances," "toxic substances," "radioactive substances," "contaminants," "pollutants," "toxic pollutants" or words of similar meaning and regulatory effect under any applicable Environmental Law, or any other chemical, material or substance, exposure to which is prohibited, limited or regulated by any applicable Environmental Law.

Initial Synchronization Date(s) shall mean the date(s) upon which the Transmission Project and Network Upgrade Facilities, as applicable, are initially synchronized with the New York State Transmission System and upon which Trial Operation begins, which date(s) shall be set forth in the milestones table in Appendix B. The Connecting Transmission Owner or Transmission Developer, as applicable, must provide notice of the Initial Synchronization Date(s) to the other Parties in the form of Appendix E-1 to this Agreement.

In-Service Date(s) shall mean the date(s) upon which the Transmission Project and Network Upgrade Facilities, as applicable, are energized consistent with the provisions of this Agreement and available to provide Transmission Service under the NYISO's Tariffs, which date(s) shall be set forth in the milestones table in Appendix B. The Connecting Transmission Owner or Transmission Developer, as applicable, must provide notice of the In-Service Date(s) to the other Parties in the form of Appendix E-2 to this Agreement.

SERVICE AGREEMENT NO. 2734

IRS shall mean the Internal Revenue Service.

Metering Equipment shall mean all metering equipment installed or to be installed at the Transmission Project pursuant to this Agreement, including but not limited to instrument transformers, MWh-meters, data acquisition equipment, transducers, remote terminal unit, communications equipment, phone lines, and fiber optics.

Metering Points shall mean the location(s) identified by the NYISO for any Metering Equipment associated with the Transmission Project that are required for the Transmission Project to provide zonal or subzonal metering data.

NERC shall mean the North American Electric Reliability Council or its successor organization.

Network Upgrade Facilities shall mean the least costly configuration of commercially available components of electrical equipment that can be used, consistent with Good Utility Practice and Applicable Reliability Requirements, to make the modifications or additions to the New York State Transmission System that are required for the proposed Transmission Project to connect reliably to the system in a manner that meets the NYISO Transmission Interconnection Standard. For purposes of this Agreement, the Network Upgrade Facilities are described in Appendix A of this Agreement.

New York State Transmission System shall mean the entire New York State electric transmission system, which includes (i) the Transmission Facilities Under ISO Operational Control; (ii) the Transmission Facilities Requiring ISO Notification; and (iii) all remaining transmission facilities within the New York Control Area.

Notice of Dispute shall mean a written notice of a dispute or claim that arises out of or in connection with this Agreement or its performance.

NPCC shall mean the Northeast Power Coordinating Council or its successor organization.

NYISO Transmission Interconnection Standard shall mean the reliability standard that must be met by any Transmission Project proposing to connect to the New York State Transmission System. The standard is designed to ensure reliable access by the proposed project to the New York State Transmission System.

NYSRC shall mean the New York State Reliability Council or its successor organization.

Operating Agreement shall mean the operating agreement for non-incumbent transmission owners between the NYISO and Transmission Developer with Service Agreement No. 2271 of the ISO OATT, with an effective date of May 23, 2016, as the agreement may be amended from time to time.

Party or Parties shall mean NYISO, Connecting Transmission Owner, or Transmission Developer or any combination of the above.

SERVICE AGREEMENT NO. 2734

Point(s) of Change of Ownership shall mean the point(s), as set forth in Appendix C to this Agreement, where the Transmission Developer's Transmission Project connects to the Connecting Transmission Owner's system.

Point(s) of Interconnection shall mean the point(s), as set forth in Appendix C to this Agreement, where the Transmission Developer's Transmission Project connects to the New York State Transmission System.

Reasonable Efforts shall mean, with respect to an action required to be attempted or taken by a Party under this Agreement, efforts that are timely and consistent with Good Utility Practice and are otherwise substantially equivalent to those a Party would use to protect its own interests.

Security shall mean a bond, irrevocable letter of credit, parent company guarantee or other form of security from an entity with an investment grade rating, executed for the benefit of the Connecting Transmission Owner, meeting the commercially reasonable requirements of the Connecting Transmission Owner with which it is required to be posted pursuant to Article 11.3, and consistent with the Uniform Commercial Code of the jurisdiction identified in Article 14.2.1 of this Agreement.

Services Tariff shall mean the NYISO Market Administration and Control Area Tariff, as filed with the Commission, and as amended or supplemented from time to time, or any successor tariff thereto.

System Impact Study shall mean the study conducted pursuant to Section 22.8 of Attachment P of the ISO OATT that evaluates the impact of the proposed Transmission Project on the safety and reliability of the New York State Transmission System and, if applicable, and Affected System, to determine what Network Upgrade Facilities are needed for the proposed Transmission Project to connect reliably to the New York State Transmission System in a manner that meets the NYISO Transmission Interconnection Standard.

System Impact Study Agreement shall mean the agreement described in Section 22.8.1 of Attachment P of the ISO OATT for conducting the System Impact Study.

System Protection Facilities shall mean the equipment, including necessary protection signal communications equipment, required to (1) protect the New York State Transmission System from faults or other electrical disturbances occurring at the Transmission Project and (2) protect the Transmission Project from faults or other electrical system disturbances occurring on the New York State Transmission System or on other delivery systems or other generating systems to which the New York State Transmission System is directly connected.

Tariff shall mean the NYISO Open Access Transmission Tariff ("OATT"), as filed with the Commission, and as amended or supplemented from time to time, or any successor tariff.

Transmission Developer shall mean an entity that proposes to interconnect its Transmission Project to the New York State Transmission System in compliance with the NYISO

New York Independent System Operator, Inc. - NYISO Agreements - Service Agreements - TPIA among NYISO ConEd Transco for Dover PAR
Transmission Interconnection Standard. For purposes of this Agreement, the Transmission
Developer is defined in the introductory paragraph.

SERVICE AGREEMENT NO. 2734

Transmission Interconnection Application shall mean the Transmission Developer's request, in the form of Appendix 1 to the Transmission Interconnection Procedures, to interconnect a Transmission Project to the New York State Transmission System.

Transmission Interconnection Procedures ("TIP") shall mean the interconnection procedures applicable to a Transmission Interconnection Application pertaining to a Transmission Project that are included in Attachment P of the ISO OATT.

Transmission Interconnection Study shall mean any of the following studies: the Optional Feasibility Study, the System Impact Study, and the Facilities Study described in the Transmission Interconnection Procedures.

Transmission Project shall mean the Transmission Developer's proposed transmission facility or facilities that collectively satisfy the definition of Transmission Project in Section 22.3.1 of Attachment P of the ISO OATT. For purposes of this Agreement, the Transmission Project is described in Appendix C of this Agreement.

Transmission Project Interconnection Agreement shall mean this interconnection agreement applicable to the interconnection of the Transmission Project to the New York State Transmission System.

Trial Operation shall mean the period(s) during which Connecting Transmission Owner or Transmission Developer, as applicable, is engaged in on-site test operations and commissioning of the Transmission Project or Network Upgrade Facilities prior to the In-Service Date.

ARTICLE 2. EFFECTIVE DATE, TERM AND TERMINATION

Effective Date.

This Agreement shall become effective upon execution by the Parties, subject to acceptance by FERC, or if filed unexecuted, upon the date specified by FERC. The NYISO and Connecting Transmission Owner shall promptly file this Agreement with FERC upon execution in accordance with Article 3.

Term of Agreement.

Subject to the provisions of Article 2.3, this Agreement shall remain in effect for a period of forty (40) years from the Effective Date and shall be automatically renewed for each successive one-year period thereafter.

Termination.

2.3.1 Written Notice.

2.3.1.1 Written Notice of Termination

This Agreement may be terminated: (i) by any Party after giving the other Parties ninety

SERVICE AGREEMENT NO. 2734

Agreement prior to the completion of its term, subject to the suspension requirements in Article 2.3.1.2 below; or (ii) by the mutual agreement in writing of all Parties.

2.3.1.2 Suspension Period for Project Transfer

2.3.1.2.1 If the Development Agreement is terminated prior to the completion of its term and the NYISO exercises its right under the Development Agreement and the Tariff to request that a developer other than the Transmission Developer complete the Transmission Project, this Agreement shall be suspended. The suspension period will last until either: (i) the NYISO issues a written determination that the Transmission Project cannot be transferred to another developer and will not proceed, or (ii) the Transmission Developer completes the assignment of this Agreement to a new developer selected by the NYISO as set forth in Article 2.3.1.2.3. During the suspension period, the running of any advanced notice of termination time period pursuant to Article 2.3.1.1 will be paused. The Agreement shall not be terminated during the suspension period without the written agreement of all Parties.

2.3.1.2.2 During the suspension period, the Transmission Developer and Connecting Transmission Owner shall suspend all work associated with the construction and installation of the Network Upgrade Facilities required for only that Transmission Developer under this Agreement with the condition that the New York State Transmission System shall be left in a safe and reliable condition in accordance with Good Utility Practice and the safety and reliability criteria of Connecting Transmission Owner and NYISO. In such event, Transmission Developer shall be responsible for all reasonable and necessary costs and/or obligations in accordance with this Agreement, including those which Connecting Transmission Owner (i) has incurred pursuant to this Agreement prior to the suspension and (ii) incurs in suspending such work, including any costs incurred to perform such work as may be necessary to ensure the safety of persons and property and the integrity of the New York State Transmission System during such suspension and, if applicable, any costs incurred in connection with the cancellation or suspension of material, equipment and labor contracts which Connecting Transmission Owner cannot reasonably avoid; provided, however, that prior to canceling or suspending any such material, equipment or labor contract, Connecting Transmission Owner shall obtain Transmission Developer's authorization to do so, which authorization shall not unreasonably be withheld, conditioned or delayed.

2.3.1.2.3 If, pursuant to its Tariff, the NYISO selects a new developer to complete the Transmission Project, Transmission Developer shall coordinate with the new developer concerning the assignment of this Agreement to the new developer pursuant to the assignment requirements in Article 19 of this Agreement. All liabilities under this Agreement existing prior to such transfer shall remain with the Transmission Developer, unless otherwise agreed upon by the Transmission Developer and the new developer as part of their good faith negotiations regarding the transfer.

2.3.2 Default.

Any Party may terminate this Agreement in accordance with Article 17.

SERVICE AGREEMENT NO. 2734

2.3.3 Compliance.

Notwithstanding Articles 2.3.1 and 2.3.2, no termination of this Agreement shall become effective until the Parties have complied with all Applicable Laws and Regulations applicable to such termination, including the filing with FERC of a notice of termination of this Agreement, which notice has been accepted for filing by FERC.

Termination Costs.

If a Party elects to terminate this Agreement pursuant to Article 2.3.1 above, the Transmission Developer shall be responsible for all costs that are the responsibility of the Transmission Developer under this Agreement that are incurred by the Transmission Developer or the other Parties through the date, as applicable, of the other Parties' receipt of a Party's notice of termination or of the Parties' mutual agreement to terminate the agreement. Such costs include any cancellation costs relating to orders or contracts. In the event of termination by the Transmission Developer, all Parties shall use commercially Reasonable Efforts to mitigate the costs, damages and charges arising as a consequence of termination. Upon termination of this Agreement, unless otherwise ordered or approved by FERC:

2.4.1 With respect to any portion of the Network Upgrade Facilities that have not yet been constructed or installed, but that is being relied upon by other projects in the manner described in Article 11.5 of this Agreement, Transmission Developer shall forfeit any remaining Security in accordance with the requirements in Article 11.5.

2.4.2 With respect to any portion of the Network Upgrade Facilities that has not yet been constructed or installed and is not being relied upon by other projects in the manner described in Article 11.5 of this Agreement, the Connecting Transmission Owner shall to the extent possible and with Transmission Developer's authorization and the consent of the NYISO cancel any pending orders of, or return, any materials or equipment for, or contracts for construction of, such facilities; provided that in the event Transmission Developer elects not to authorize such cancellation, Transmission Developer shall assume all payment obligations with respect to such materials, equipment, and contracts, and the Connecting Transmission Owner shall deliver such material and equipment, and, if necessary, assign such contracts, to Transmission Developer as soon as practicable, at Transmission Developer's expense. To the extent that Transmission Developer has already paid Connecting Transmission Owner for any or all such costs of materials or equipment not taken by Transmission Developer, Connecting Transmission Owner shall promptly refund such amounts to Transmission Developer, less any costs, including penalties incurred by the Connecting Transmission Owner to cancel any pending orders of or return such materials, equipment, or contracts.

2.4.3 Connecting Transmission Owner may, at its option, retain any portion of such materials, equipment, or facilities that Transmission Developer chooses not to accept delivery of, in which case Connecting Transmission Owner shall be responsible for all costs associated with procuring such materials, equipment, or facilities.

2.4.4 With respect to any portion of the Network Upgrade Facilities, and any other facilities already installed or constructed pursuant to the terms of this Agreement, Transmission

SERVICE AGREEMENT NO. 2734

Developer shall be responsible for all costs associated with the removal, relocation or other disposition or retirement of such materials, equipment, or facilities.

Disconnection.

Upon termination of this Agreement, Transmission Developer and Connecting Transmission Owner will take all appropriate steps to disconnect the Transmission Developer's Transmission Project from the New York State Transmission System and to perform such work as may be necessary to ensure that the New York State Transmission System shall be left in a safe and reliable condition in accordance with Good Utility Practice and the safety and reliability criteria of Connecting Transmission Owner and NYISO. All costs required to effectuate such disconnection shall be borne by the Transmission Developer, unless such termination resulted from the Connecting Transmission Owner's Default of this Agreement.

Survival.

This Agreement shall continue in effect after termination to the extent necessary to provide for final billings and payments and for costs incurred hereunder; including billings and payments pursuant to this Agreement and Transmission Developer's satisfaction of the Security requirements in Article 11.5; to permit the determination and enforcement of liability and indemnification obligations arising from acts or events that occurred while this Agreement was in effect; and to permit Transmission Developer and Connecting Transmission Owner each to have access to the lands of the other pursuant to this Agreement or other applicable agreements, to disconnect, remove or salvage its own facilities and equipment.

ARTICLE 3. REGULATORY FILINGS

NYISO and Connecting Transmission Owner shall file this Agreement (and any amendment hereto) with the appropriate Governmental Authority, if required. Any information related to studies for interconnection asserted by Transmission Developer to contain Confidential Information shall be treated in accordance with Article 22 of this Agreement and Attachment F to the ISO OATT. If the Transmission Developer has executed this Agreement, or any amendment thereto, the Transmission Developer shall reasonably cooperate with NYISO and Connecting Transmission Owner with respect to such filing and to provide any information reasonably requested by NYISO and Connecting Transmission Owner needed to comply with Applicable Laws and Regulations.

ARTICLE 4. SCOPE OF SERVICE

Interconnection of Transmission Facilities.

The Transmission Developer's Transmission Project and the Connecting Transmission Owner's transmission system shall interconnect at the Points of Interconnection set forth in Appendix C of this Agreement in accordance with the terms and conditions of this Agreement.

SERVICE AGREEMENT NO. 2734

No Transmission Delivery Service.

The execution of this Agreement does not constitute a request for, nor agreement to provide, any Transmission Service under the ISO OATT, and does not convey any right to deliver electricity to any specific customer or Point of Delivery.

No Other Services.

The execution of this Agreement does not constitute a request for, nor agreement to provide Energy, any Ancillary Services or Installed Capacity under the NYISO Market Administration and Control Area Services Tariff (“Services Tariff”).

ARTICLE 5. NETWORK UPGRADE FACILITIES ENGINEERING, PROCUREMENT, AND CONSTRUCTION

Network Upgrade Facilities

Unless otherwise mutually agreed to by Transmission Developer and Connecting Transmission Owner, Transmission Developer shall select the In-Service Date and Initial Synchronization Date of the Network Upgrade Facilities, and such dates shall be set forth in Appendix B hereto. The Connecting Transmission Owner’s and Transmission Developer’s respective obligations to design, procure, construct, install, and own the Network Upgrade Facilities, as applicable, shall be set forth in Appendix A hereto. The Connecting Transmission Owner and Transmission Developer shall each use Reasonable Efforts to complete the Network Upgrade Facilities for which it has construction responsibility by the dates set forth in Appendix B hereto. The Connecting Transmission Owner shall not be required to undertake any action which is inconsistent with its standard safety practices, its material and equipment specifications, its design criteria and construction procedures, its labor agreements, and Applicable Laws and Regulations. In the event the Connecting Transmission Owner reasonably expects that it will not be able to complete the Network Upgrade Facilities for which it has construction responsibility, by the specified dates, the Connecting Transmission Owner shall promptly provide written notice to the Transmission Developer and NYISO, and shall undertake Reasonable Efforts to meet the earliest dates thereafter.

General Conditions Applicable to Network Upgrade Facilities Constructed by Transmission Developer.

Where Transmission Developer has assumed responsibility for the design, procurement and/or construction of the Network Upgrade Facilities as set forth in Appendix A, the following conditions apply:

5.2.1 Transmission Developer shall engineer, procure equipment, and/or construct the Network Upgrade Facilities (or portions thereof) using Good Utility Practice and using standards and specifications provided in advance by the Connecting Transmission Owner;

5.2.2 Transmission Developer's engineering, procurement and/or construction of the Network Upgrade Facilities shall comply with all requirements of law to which Connecting

SERVICE AGREEMENT NO. 2734

Transmission Owner would be subject in the engineering, procurement or construction of the Network Upgrade Facilities.

5.2.3 Connecting Transmission Owner shall review and approve the engineering design, equipment acceptance tests, and the construction of the Network Upgrade Facilities;

5.2.4 Prior to commencement of construction, Transmission Developer shall provide to Connecting Transmission Owner and NYISO a schedule for construction of the Network Upgrade Facilities, and shall promptly respond to requests for information from Connecting Transmission Owner or NYISO;

5.2.5 At any time during construction, Connecting Transmission Owner shall have the right to gain unrestricted access to the Network Upgrade Facilities and to conduct inspections of the same;

5.2.6 At any time during construction, should any phase of the engineering, equipment procurement, or construction of the Network Upgrade Facilities not meet the standards and specifications provided by Connecting Transmission Owner, the Transmission Developer shall be obligated to remedy deficiencies in that portion of the Network Upgrade Facilities;

5.2.7 Transmission Developer shall indemnify Connecting Transmission Owner and NYISO for claims arising from the Transmission Developer's construction of Network Upgrade Facilities under procedures applicable to Article 18.1 Indemnity;

5.2.8 Transmission Developer shall transfer control of Network Upgrade Facilities to the Connecting Transmission Owner as set forth in Appendix A hereto;

5.2.9 Transmission Developer shall transfer ownership of the Network Upgrade Facilities to Connecting Transmission Owner as set forth in Appendix A hereto;

5.2.10 Connecting Transmission Owner shall approve and accept for operation and maintenance the Network Upgrade Facilities to the extent engineered, procured, and constructed in accordance with this Article 5.2;

5.2.11 Transmission Developer shall deliver to NYISO and Connecting Transmission Owner "as built" drawings, information, and any other documents that are reasonably required by NYISO or Connecting Transmission Owner to assure that the Network Upgrade Facilities are built to the standards and specifications required by Connecting Transmission Owner; and

5.2.12 The Transmission Developer shall be responsible for the costs that Connecting Transmission Owner incurs in executing the responsibilities enumerated to Connecting Transmission Owner under Article 5.2. The Connecting Transmission Owner shall invoice Transmission Developer for such costs pursuant to Article 12.

SERVICE AGREEMENT NO. 2734

Equipment Procurement.

The Connecting Transmission Owner shall commence design of the Network Upgrade Facilities for which it has construction responsibility and procure necessary equipment as soon as practicable after all of the following conditions are satisfied, unless the Transmission Developer and Connecting Transmission Owner otherwise agree in writing:

5.3.1 NYISO and Connecting Transmission Owner have completed the Facilities Study pursuant to the Facilities Study Agreement;

5.3.2 The NYISO has completed the required cost allocation analyses, and Transmission Developer has provided Security to the Connecting Transmission Owner in accordance with Article 11.3 by the date specified in Appendix B hereto; and

5.3.3 The Connecting Transmission Owner has received written authorization to proceed with design and procurement from the Transmission Developer by the date specified in Appendix B hereto.

Construction Commencement.

The Connecting Transmission Owner shall commence construction of the Network Upgrade Facilities for which it has construction responsibility as set forth in Appendix A as soon as practicable after the following additional conditions are satisfied:

5.4.1 Approval of the appropriate Governmental Authority has been obtained for any facilities requiring regulatory approval;

5.4.2 Necessary real property rights and rights-of-way have been obtained by the Transmission Developer, to the extent required for the construction of a discrete aspect of the Network Upgrade Facilities; and

5.4.3 The Connecting Transmission Owner has received written authorization to proceed with construction from the Transmission Developer by the date specified in Appendix B hereto; and

5.4.4 The Transmission Developer has provided Security to the Connecting Transmission Owner in accordance with Article 11.4 by the dates specified in Appendix B hereto.

Work Progress.

The Transmission Developer and Connecting Transmission Owner will keep each other and the NYISO advised periodically as to the progress of their respective design, procurement and construction efforts of the Transmission Project and the Network Upgrade Facilities. Any Party may, at any time, request a progress report from the Transmission Developer or Connecting Transmission Owner.

SERVICE AGREEMENT NO. 2734

Information Exchange.

As soon as reasonably practicable after the Effective Date, the Transmission Developer and Connecting Transmission Owner shall exchange information, and provide NYISO the same information, regarding the design and compatibility of the Transmission Project and Network Upgrade Facilities and the compatibility of the Transmission Project and Network Upgrade Facilities with the New York State Transmission System, and shall work diligently and in good faith to make any necessary design changes.

Network Upgrade Facilities

Transmission Developer shall submit initial specifications for the Network Upgrade Facilities for which it is responsible pursuant to Appendix A to Connecting Transmission Owner and NYISO at least one hundred eighty (180) Calendar Days prior to the Initial Synchronization Date; and final specifications for review and comment at least ninety (90) Calendar Days prior to the Initial Synchronization Date. Connecting Transmission Owner and NYISO shall review such specifications to ensure that the Network Upgrade Facilities are compatible with the technical specifications, operational control, and safety requirements of the Connecting Transmission Owner and NYISO and comment on such specifications within thirty (30) Calendar Days of Transmission Developer's submission. All specifications provided hereunder shall be deemed to be Confidential Information.

The review of Transmission Developer's final specifications by Connecting Transmission Owner and NYISO shall not be construed as confirming, endorsing, or providing a warranty as to the design, fitness, safety, durability or reliability of the Transmission Project or Network Upgrade Facilities. Transmission Developer shall make such changes to the Network Upgrade Facilities as may reasonably be required by Connecting Transmission Owner or NYISO, in accordance with Good Utility Practice, to ensure that the Network Upgrade Facilities are compatible with the technical specifications, operational control, and safety requirements of the Connecting Transmission Owner and NYISO.

Transmission Developer and Connecting Transmission Owner shall design and construct the Network Upgrade Facilities for which each is responsible pursuant to Appendix A in accordance with Good Utility Practice and the Connecting Transmission Owner's standards and specifications. Transmission Developer and Connecting Transmission Owner shall each deliver to the other Parties pursuant to the dates set forth in Appendix B "as-built" drawings, information and documents for the Network Upgrade Facilities.

The Connecting Transmission Owner shall transfer operational control of Network Upgrade Facilities at a voltage of 230 kV or greater upon completion of such facilities, but shall not transfer operational control of Network Upgrade Facilities of a voltage of less than 230 kV.

Access Rights.

Upon reasonable notice and supervision by a Granting Party, and subject to any required or necessary regulatory approvals, the Connecting Transmission Owner and Transmission Developer (each a “Granting Party”) shall each furnish to the other Parties (“Access Party”) at no

SERVICE AGREEMENT NO. 2734

cost any rights of use, licenses, rights of way and easements with respect to lands owned or controlled by the Granting Party, its agents (if allowed under the applicable agency agreement), or any Affiliate, that are necessary to enable the Access Party to obtain ingress and egress at the Point(s) of Interconnection, or any other necessary point to construct, operate, maintain, repair, test (or witness testing), inspect, replace or remove facilities and equipment to: (i) interconnect the Transmission Project and Network Upgrade Facilities with the New York State Transmission System; (ii) operate and maintain the Transmission Project, Network Upgrade Facilities, and the New York State Transmission System; and (iii) disconnect or remove the Access Party's facilities and equipment upon termination of this Agreement. In exercising such licenses, rights of way and easements, the Access Party shall not unreasonably disrupt or interfere with normal operation of the Granting Party's business and shall adhere to the safety rules and procedures established in advance, as may be changed from time to time, by the Granting Party and provided to the Access Party. The Access Party shall indemnify the Granting Party against all claims of injury or damage from third parties resulting from the exercise of the access rights provided for herein.

Lands of Other Property Owners.

If any part of the Network Upgrade Facilities is to be installed on property owned by persons other than Transmission Developer or Connecting Transmission Owner, the Connecting Transmission Owner shall at Transmission Developer's expense use efforts, similar in nature and extent to those that it typically undertakes for its own or affiliated generation, including use of its eminent domain authority, and to the extent consistent with state law, to procure from such persons any rights of use, licenses, rights of way and easements that are necessary to construct, operate, maintain, test, inspect, replace or remove the Network Upgrade Facilities upon such property.

Permits.

NYISO, Connecting Transmission Owner and the Transmission Developer shall cooperate with each other in good faith in obtaining all permits, licenses and authorizations that are necessary to accomplish the interconnection in compliance with Applicable Laws and Regulations. With respect to this paragraph, Connecting Transmission Owner shall provide permitting assistance to the Transmission Developer comparable to that provided to the Connecting Transmission Owner's own, or an Affiliate's, generation or transmission facilities, if any.

Suspension.

Transmission Developer reserves the right, upon written notice to Connecting Transmission Owner and NYISO, to suspend at any time all work by Transmission Developer and Connecting Transmission Owner associated with the construction and installation of the Network Upgrade Facilities required for only that Transmission Developer under this Agreement with the condition that the New York State Transmission System shall be left in a safe and reliable condition in accordance with Good Utility Practice and the safety and reliability criteria

New York Independent System Operator, Inc. - NYISO Agreements - Service Agreements - TPIA among NYISO ConEd Transco for Dover PAR of Connecting Transmission Owner and NYISO. If the suspension will impact the Transmission Developer's ability to meet any Advisory Milestones or Critical Path Milestones in the

SERVICE AGREEMENT NO. 2734

Development Agreement, Transmission Developer shall notify the NYISO in accordance with the requirements in Article 3.3 of the Development Agreement. NYISO reserves the right, upon written notice to Transmission Developer and Connecting Transmission Owner, to require the suspension of all work by Transmission Developer and Connecting Transmission Owner associated with the engineering, procurement, and/or construction services under this Agreement if the NYISO terminates the Development Agreement pursuant to Article 8 of the Development Agreement.

In the event of suspension under this Article 5.11, Transmission Developer shall be responsible for all reasonable and necessary costs and/or obligations in accordance with the ISO OATT and the Facilities Study report including those which Connecting Transmission Owner (i) has incurred pursuant to this Agreement prior to the suspension and (ii) incurs in suspending such work, including any costs incurred to perform such work as may be necessary to ensure the safety of persons and property and the integrity of the New York State Transmission System during such suspension and, if applicable, any costs incurred in connection with the cancellation or suspension of material, equipment and labor contracts which Connecting Transmission Owner cannot reasonably avoid; provided, however, that prior to canceling or suspending any such material, equipment or labor contract, Connecting Transmission Owner shall obtain Transmission Developer's authorization to do so.

Connecting Transmission Owner shall invoice Transmission Developer for such costs pursuant to Article 12 and shall use due diligence to minimize its costs. In the event Transmission Developer suspends work by the Transmission Developer and Connecting Transmission Owner required under this Agreement pursuant to this Article 5.11, and has not informed the Parties that it is recommencing its work and requested Connecting Transmission Owner to recommence its work required under this Agreement on or before the expiration of three (3) years following commencement of such suspension, this Agreement shall be deemed terminated. The three-year period shall begin on the date of the written notice required under this Article 5.11 or the date specified in the written notice of suspension.

Taxes.

5.12.1 Developer Payments Not Taxable.

The Transmission Developer and Connecting Transmission Owner intend that all payments or property transfers made by Transmission Developer to Connecting Transmission Owner for the installation of the Network Upgrade Facilities shall be non-taxable, either as contributions to capital, or as an advance, in accordance with the Internal Revenue Code and any applicable state income tax laws and shall not be taxable as contributions in aid of construction or otherwise under the Internal Revenue Code and any applicable state income tax laws.

5.12.2 Representations and Covenants.

In accordance with IRS Notice 2016-36, Transmission Developer represents and

New York Independent System Operator, Inc. - NYISO Agreements - Service Agreements - TPIA among NYISO ConEd Transco for Dover PAR covenants that (i) ownership of the electricity generated at the Large Generating Facility will pass to another party prior to the transmission of the electricity on the New York State Transmission System, (ii) for income tax purposes, the amount of any payments and the cost of

SERVICE AGREEMENT NO. 2734

any property transferred to the Connecting Transmission Owner for the Network Upgrade Facilities will be capitalized by Transmission Developer as an intangible asset and recovered using the straight-line method over a useful life of twenty (20) years, and (iii) any portion of the Connecting Transmission Owner's Network Upgrade Facility that is a "dual-use intertie," within the meaning of IRS Notice 2016-36, is reasonably expected to carry only a de minimis amount of electricity in the direction of the Large Generating Facility. For this purpose, "de minimis amount" means no more than 5 percent of the total power flows in both directions, calculated in accordance with the "5 percent test" set forth in IRS Notice 2016-36. This is not intended to be an exclusive list of the relevant conditions that must be met to conform to IRS requirements for non-taxable treatment.

At Connecting Transmission Owner's request, Transmission Developer shall provide Connecting Transmission Owner with a report from an independent engineer confirming its representation in clause (iii), above. Connecting Transmission Owner represents and covenants that the cost of the Network Upgrade Facilities paid for by Transmission Developer will have no net effect on the base upon which rates are determined.

5.12.3 Indemnification for the Cost Consequences of Current Tax Liability Imposed Upon the Connecting Transmission Owner.

Notwithstanding Article 5.12.1, Transmission Developer shall protect, indemnify and hold harmless Connecting Transmission Owner from the cost consequences of any current tax liability imposed against Connecting Transmission Owner as the result of payments or property transfers made by Transmission Developer to Connecting Transmission Owner under this Agreement, as well as any interest and penalties, other than interest and penalties attributable to any delay caused by Connecting Transmission Owner.

Connecting Transmission Owner shall not include a gross-up for the cost consequences of any current tax liability in the amounts it charges Transmission Developer under this Agreement unless (i) Connecting Transmission Owner has determined, in good faith, that the payments or property transfers made by Transmission Developer to Connecting Transmission Owner should be reported as income subject to taxation or (ii) any Governmental Authority directs Connecting Transmission Owner to report payments or property as income subject to taxation; provided, however, that Connecting Transmission Owner may require Transmission Developer to provide security, in a form reasonably acceptable to Connecting Transmission Owner (such as a parental guarantee or a letter of credit), in an amount equal to the cost consequences of any current tax liability under this Article 5.12. Transmission Developer shall reimburse Connecting Transmission Owner for such costs on a fully grossed-up basis, in accordance with Article 5.12.4, within thirty (30) Calendar Days of receiving written notification from Connecting Transmission Owner of the amount due, including detail about how the amount was calculated.

This indemnification obligation shall terminate at the earlier of (1) the expiration of the ten-year testing period and the applicable statute of limitation, as it may be extended by the Connecting Transmission Owner upon request of the IRS, to keep these years open for audit or

New York Independent System Operator, Inc. - NYISO Agreements - Service Agreements - TPIA among NYISO ConEd Transco for Dover PAR adjustment, or (2) the occurrence of a subsequent taxable event and the payment of any related indemnification obligations as contemplated by this Article 5.12.

SERVICE AGREEMENT NO. 2734

5.12.4 Tax Gross-Up Amount.

Transmission Developer's liability for the cost consequences of any current tax liability under this Article 5.12 shall be calculated on a fully grossed-up basis. Except as may otherwise be agreed to by the parties, this means that Transmission Developer will pay Connecting Transmission Owner, in addition to the amount paid for the Network Upgrade Facilities, an amount equal to (1) the current taxes imposed on Connecting Transmission Owner ("Current Taxes") on the excess of (a) the gross income realized by Connecting Transmission Owner as a result of payments or property transfers made by Transmission Developer to Connecting Transmission Owner under this Agreement (without regard to any payments under this Article 5.12) (the "Gross Income Amount") over (b) the present value of future tax deductions for depreciation that will be available as a result of such payments or property transfers (the "Present Value Depreciation Amount"), plus (2) an additional amount sufficient to permit the Connecting Transmission Owner to receive and retain, after the payment of all Current Taxes, an amount equal to the net amount described in clause (1).

For this purpose, (i) Current Taxes shall be computed based on Connecting Transmission Owner's composite federal and state tax rates at the time the payments or property transfers are received and Connecting Transmission Owner will be treated as being subject to tax at the highest marginal rates in effect at that time (the "Current Tax Rate"), and (ii) the Present Value Depreciation Amount shall be computed by discounting Connecting Transmission Owner's anticipated tax depreciation deductions as a result of such payments or property transfers by Connecting Transmission Owner's current weighted average cost of capital. Thus, the formula for calculating Transmission Developer's liability to Connecting Transmission Owner pursuant to this Article 5.12.4 can be expressed as follows: $(\text{Current Tax Rate} \times (\text{Gross Income Amount} - \text{Present Value Depreciation Amount})) / (1 - \text{Current Tax Rate})$. Transmission Developer's estimated tax liability in the event taxes are imposed shall be stated in Appendix A.

5.12.5 Reserved.

5.12.6 Subsequent Taxable Events.

If, within 10 years from the date on which the relevant Network Upgrade Facilities are placed in service, (i) Transmission Developer Breaches the covenants contained in Article 5.12.2, (ii) a "disqualification event" occurs within the meaning of IRS Notice 2016-36, or (iii) this Agreement terminates and Connecting Transmission Owner retains ownership of the Network Upgrade Facilities, the Transmission Developer shall pay a tax gross-up for the cost consequences of any current tax liability imposed on Connecting Transmission Owner, calculated using the methodology described in Article 5.12.4 and in accordance with IRS Notice 2016-36.

5.12.7 Contests.

In the event any Governmental Authority determines that Connecting Transmission Owner's receipt of payments or property constitutes income that is subject to taxation,

SERVICE AGREEMENT NO. 2734

Connecting Transmission Owner shall notify Transmission Developer, in writing, within thirty (30) Calendar Days of receiving notification of such determination by a Governmental Authority. Upon the timely written request by Transmission Developer and at Transmission Developer's sole expense, Connecting Transmission Owner may appeal, protest, seek abatement of, or otherwise oppose such determination. Upon Transmission Developer's written request and sole expense, Connecting Transmission Owner may file a claim for refund with respect to any taxes paid under this Article 5.12, whether or not it has received such a determination.

Connecting Transmission Owner reserves the right to make all decisions with regard to the prosecution of such appeal, protest, abatement or other contest, including the selection of counsel and compromise or settlement of the claim, but Connecting Transmission Owner shall keep Transmission Developer informed, shall consider in good faith suggestions from Transmission Developer about the conduct of the contest, and shall reasonably permit Transmission Developer or a Transmission Developer representative to attend contest proceedings.

Transmission Developer shall pay to Connecting Transmission Owner on a periodic basis, as invoiced by Connecting Transmission Owner, Connecting Transmission Owner's documented reasonable costs of prosecuting such appeal, protest, abatement or other contest, including any costs associated with obtaining the opinion of independent tax counsel described in this Article 5.12.7. The Connecting Transmission Owner may abandon any contest if the Transmission Developer fails to provide payment to the Connecting Transmission Owner within thirty (30) Calendar Days of receiving such invoice. At any time during the contest, Connecting Transmission Owner may agree to a settlement either with Transmission Developer's consent or after obtaining written advice from nationally-recognized tax counsel, selected by Connecting Transmission Owner, but reasonably acceptable to Transmission Developer, that the proposed settlement represents a reasonable settlement given the hazards of litigation. Transmission Developer's obligation shall be based on the amount of the settlement agreed to by Transmission Developer, or if a higher amount, so much of the settlement that is supported by the written advice from nationally-recognized tax counsel selected under the terms of the preceding sentence. The settlement amount shall be calculated on a fully grossed-up basis to cover any related cost consequences of the current tax liability. The Connecting Transmission Owner may also settle any tax controversy without receiving the Transmission Developer's consent or any such written advice; however, any such settlement will relieve the Transmission Developer from any obligation to indemnify Connecting Transmission Owner for the tax at issue in the contest (unless the failure to obtain written advice is attributable to the Transmission Developer's unreasonable refusal to the appointment of independent tax counsel).

5.12.8 Refund.

In the event that (a) any legislative change or administrative announcement, notice, ruling or other determination makes it reasonably clear to Connecting Transmission Owner in good faith that any amount paid or the value of any property transferred by Transmission Developer to Connecting Transmission Owner under the terms of this Agreement is not taxable to Connecting Transmission Owner, (b) any abatement, appeal, protest, or other contest results in a determination that any payments or transfers made by Transmission Developer to Connecting

New York Independent System Operator, Inc. - NYISO Agreements - Service Agreements - TPIA among NYISO ConEd Transco for Dover PAR
Transmission Owner are not subject to federal income tax, or (c) if Connecting Transmission
Owner receives a refund from any taxing authority for any overpayment of tax attributable to any

SERVICE AGREEMENT NO. 2734

payment or property transfer made by Transmission Developer to Connecting Transmission Owner pursuant to this Agreement, Connecting Transmission Owner shall promptly refund to Transmission Developer the following:

(i) Any payment made by Transmission Developer under this Article 5.12 for taxes that is attributable to the amount determined to be non-taxable, together with interest thereon,

(ii) Interest on any amounts paid by Transmission Developer to Connecting Transmission Owner for such taxes which Connecting Transmission Owner did not submit to the taxing authority, calculated in accordance with the methodology set forth in FERC's regulations at 18 C.F.R. §35.19a(a)(2)(iii) from the date payment was made by Transmission Developer to the date Connecting Transmission Owner refunds such payment to Transmission Developer, and

(iii) With respect to any such taxes paid by Connecting Transmission Owner, any refund or credit Connecting Transmission Owner receives or to which it may be entitled from any Governmental Authority, interest (or that portion thereof attributable to the payment described in clause (i), above) owed to the Connecting Transmission Owner for such overpayment of taxes (including any reduction in interest otherwise payable by Connecting Transmission Owner to any Governmental Authority resulting from an offset or credit); provided, however, that Connecting Transmission Owner will remit such amount promptly to Transmission Developer only after and to the extent that Connecting Transmission Owner has received a tax refund, credit or offset from any Governmental Authority for any applicable overpayment of income tax related to the Network Upgrade Facilities.

The intent of this provision is to leave both the Transmission Developer and Connecting Transmission Owner, to the extent practicable, in the event that no taxes are due with respect to any payment for Network Upgrade Facilities hereunder, in the same position they would have been in had no such tax payments been made.

5.12.9 Taxes Other Than Income Taxes.

Upon the timely request by Transmission Developer, and at Transmission Developer's sole expense, Connecting Transmission Owner shall appeal, protest, seek abatement of, or otherwise contest any tax (other than federal or state income tax) asserted or assessed against Connecting Transmission Owner for which Transmission Developer may be required to reimburse Connecting Transmission Owner under the terms of this Agreement. Transmission Developer shall pay to Connecting Transmission Owner on a periodic basis, as invoiced by Connecting Transmission Owner, Connecting Transmission Owner's documented reasonable costs of prosecuting such appeal, protest, abatement, or other contest. Transmission Developer and Connecting Transmission Owner shall cooperate in good faith with respect to any such contest. Unless the payment of such taxes is a prerequisite to an appeal or abatement or cannot be deferred, no amount shall be payable by Transmission Developer to Connecting Transmission Owner for such taxes until they are assessed by a final, non-appealable order by any court or agency of competent jurisdiction. In the event that a tax payment is withheld and ultimately due and payable after appeal, Transmission Developer will be responsible for all taxes, interest and

SERVICE AGREEMENT NO. 2734

penalties, other than penalties attributable to any delay caused by Connecting Transmission Owner.

Tax Status; Non-Jurisdictional Entities.

5.13.1 Tax Status.

Each Party shall cooperate with the other Parties to maintain the other Parties' tax status. Nothing in this Agreement is intended to adversely affect the tax status of any Party including the status of NYISO, or the status of any Connecting Transmission Owner with respect to the issuance of bonds including, but not limited to, Local Furnishing Bonds. Notwithstanding any other provisions of this Agreement, Connecting Transmission Owner shall not be required to comply with any provisions of this Agreement that would result in the loss of tax-exempt status of any of their Tax-Exempt Bonds or impair its ability to issue future tax-exempt obligations. For purposes of this provision, Tax-Exempt Bonds shall include the obligations of the Connecting Transmission Owner, the interest on which is not included in gross income under the Internal Revenue Code.

Modification.

5.14.1 General.

If, prior to the In-Service Date of the Transmission Project or Network Upgrade Facilities, either the Transmission Developer or Connecting Transmission Owner proposes to modify the Transmission Project or Network Upgrade Facilities, they must inform the other Parties of the proposed modification and must satisfy the requirements for such modifications in (i) Section 22.5.4 of Attachment P to the ISO OATT, and (ii) the Development Agreement. The Transmission Developer shall be responsible for the cost of any such additional modifications, including the cost of studying the materiality and impact of the modification.

Following the In-Service Date of the Transmission Project or Network Upgrade Facilities, either the Transmission Developer or Connecting Transmission Owner may undertake modifications to its facilities covered by this Agreement. If either the Transmission Developer or Connecting Transmission Owner plans to undertake a modification that reasonably may be expected to affect the other Party's facilities, that Party shall provide to the other Party, and to NYISO, sufficient information regarding such modification so that the other Party and NYISO may evaluate the potential impact of such modification prior to commencement of the work. Such information shall be deemed to be Confidential Information hereunder and shall include information concerning the timing of such modifications and whether such modifications are expected to interrupt the transmission of electricity at the Point(s) of Interconnection. The Party desiring to perform such work shall provide the relevant drawings, plans, and specifications to the other Party and NYISO at least ninety (90) Calendar Days in advance of the commencement of construction regarding such work or such shorter period upon which the Parties may agree, which agreement shall not unreasonably be withheld, conditioned or delayed.

SERVICE AGREEMENT NO. 2734

5.14.2 Standards.

Any additions, modifications, or replacements made to a Party's facilities shall be designed, constructed and operated in accordance with this Agreement, NYISO requirements and Good Utility Practice.

5.14.3 Modification Costs.

Transmission Developer or Connecting Transmission Owner, as applicable, shall not be assigned the costs of any additions, modifications, or replacements that the other Party makes to the New York State Transmission System to facilitate the interconnection of a third party to the New York State Transmission System, or to provide Transmission Service to a third party under the ISO OATT, except in accordance with the cost allocation procedures in Attachment S of the ISO OATT.

ARTICLE 6. TESTING AND INSPECTION

Pre-In-Service Date Testing and Modifications.

Prior to the In-Service Date of the Transmission Project or Network Upgrade Facilities, as applicable, the Connecting Transmission Owner or Transmission Developer shall, as specified in Appendix A, test the Transmission Project and Network Upgrade Facilities to ensure their safe and reliable operation. Similar testing may be required after initial operation. Transmission Developer and Connecting Transmission Owner shall each make any modifications to its facilities that are found to be necessary as a result of such testing. Transmission Developer shall bear the cost of all such testing and modifications. Transmission Developer and Connecting Transmission Owner shall coordinate with NYISO prior to performing the testing of the Transmission Project and Network Upgrade Facilities and prior to the facilities entering into service.

Post-In-Service Date Testing and Modifications.

Transmission Developer and Connecting Transmission Owner shall each at its own expense perform routine inspection and testing of its facilities and equipment in accordance with Good Utility Practice and Applicable Reliability Standards as may be necessary to ensure the continued interconnection of the Transmission Project with the New York State Transmission System in a safe and reliable manner. Transmission Developer and Connecting Transmission Owner shall each have the right, upon advance written notice, to require reasonable additional testing of the other Party's facilities, at the requesting Party's expense, as may be in accordance with Good Utility Practice.

Right to Observe Testing.

Transmission Developer and Connecting Transmission Owner shall each notify the other Party, and the NYISO, in advance of its performance of tests of the Transmission Project and

New York Independent System Operator, Inc. - NYISO Agreements - Service Agreements - TPIA among NYISO ConEd Transco for Dover PAR Network Upgrade Facilities. The other Party, and the NYISO, shall each have the right, at its own expense, to observe such testing.

SERVICE AGREEMENT NO. 2734

Right to Inspect.

Transmission Developer and Connecting Transmission Owner shall each have the right, but shall have no obligation to: (i) observe the other Party's tests and/or inspection of any of its System Protection Facilities and other protective equipment; (ii) review the settings of the other Party's System Protection Facilities and other protective equipment; and (iii) review the other Party's maintenance records relative to the System Protection Facilities and other protective equipment. NYISO shall have these same rights of inspection as to the facilities and equipment of Transmission Developer and Connecting Transmission Owner. A Party may exercise these rights from time to time as it deems necessary upon reasonable notice to the other Party. The exercise or non-exercise by a Party of any such rights shall not be construed as an endorsement or confirmation of any element or condition of the System Protection Facilities or other protective equipment or the operation thereof, or as a warranty as to the fitness, safety, desirability, or reliability of same. Any information that a Party obtains through the exercise of any of its rights under this Article 6.4 shall be treated in accordance with Article 22 of this Agreement and Attachment F to the ISO OATT.

ARTICLE 7. METERING

General.

Connecting Transmission Owner shall be responsible for the metering at any Metering Points identified by the NYISO in connection with the interconnection of the Transmission Project with Connecting Transmission Owner's system in accordance with the requirements in this Article 7. Connecting Transmission Owner and/or Transmission Developer shall, as such responsibilities are specified in Appendix A of this Agreement, procure and install any required Metering Equipment prior to any operation of the Transmission Project. Connecting Transmission Owner shall own, operate, test, maintain, and, if directed by the NYISO, relocate such Metering Equipment in accordance with ISO Procedures, as such requirements are amended from time to time. Connecting Transmission Owner shall provide the NYISO and Transmission Developer with metering data in accordance with the metering requirements set forth in this Agreement, the NYISO Tariffs, and ISO Procedures, as such requirements are amended from time to time. Transmission Developer shall bear all reasonable documented costs associated with the purchase and installation of the Metering Equipment.

Check Meters.

Transmission Developer, at its option and expense, may install and operate, on its premises and on its side of the Points of Interconnection, one or more check meters to check Connecting Transmission Owner's meters. Such check meters shall be for check purposes only and shall not be used for the measurement of power flows for purposes of this Agreement, except as provided in Article 7.4 below. The installation, operation and maintenance thereof shall be performed entirely by Transmission Developer in accordance with Good Utility Practice

Standards.

New York Independent System Operator, Inc. - NYISO Agreements - Service Agreements - TPIA among NYISO ConEd Transco for Dover PAR
Connecting Transmission Owner and Transmission Developer shall, as such
responsibilities are specified in Appendix A of this Agreement, install, calibrate, and test revenue

SERVICE AGREEMENT NO. 2734

quality metering Equipment including potential transformers and current transformers in accordance with ISO Procedures, as such requirements are amended from time to time.

Testing of Metering Equipment.

Connecting Transmission Owner shall inspect and test all of its Metering Equipment upon installation and at least once every two (2) years thereafter. If required by ISO Procedures, Connecting Transmission Owner shall, at its own expense, inspect or test Metering Equipment more frequently than every two (2) years. Connecting Transmission Owner shall give reasonable notice of the time when any inspection or test shall take place, and NYISO and Transmission Developer may have representatives present at the test or inspection. If at any time Metering Equipment is found to be inaccurate or defective, it shall be adjusted, repaired or replaced at Connecting Transmission Owner's expense in order to provide accurate metering. Connecting Transmission Owner and NYISO shall address the loss of meter data or meter data anomalies in accordance with ISO Procedures. The NYISO shall reserve the right to review all associated metering equipment installation on the Transmission Developer's or Connecting Transmission Owner's property at any time.

Metering Data.

At Transmission Developer's expense, the metered data shall be telemetered to one or more locations designated by NYISO. Such telemetered data shall be used, under normal operating conditions, as the official measurement of the amount of energy at the Metering Points.

ARTICLE 8. COMMUNICATIONS

Transmission Developer Obligations.

Transmission Developer shall maintain satisfactory operating communications, including providing analog and digital real-time telemetry, with Connecting Transmission Owner and NYISO in accordance with the requirements in this Agreement, the Operating Agreement (including Section 2.05, *Local Control Center, Metering and Telemetry*), NYISO Tariffs, and ISO Procedures, as such requirements are amended from time to time. Transmission Developer shall provide standard voice line, dedicated voice line and facsimile communications at its control center for the Transmission Project through use of either the public telephone system, or a voice communications system that does not rely on the public telephone system. Transmission Developer shall also provide the dedicated data circuit(s) necessary to provide Transmission Developer data to Connecting Transmission Owner and NYISO as set forth in Appendix D hereto. The data circuit(s) shall extend from the Transmission Project to the location(s) specified by Connecting Transmission Owner and NYISO. Any required maintenance of such communications equipment shall be performed by Transmission Developer. Operational communications shall be activated and maintained under, but not be limited to, the following events: system paralleling or separation, scheduled and unscheduled shutdowns, equipment clearances, and hourly and daily load data.

SERVICE AGREEMENT NO. 2734

Remote Terminal Unit.

Prior to the Initial Synchronization Date of the Transmission Project, a Remote Terminal Unit, or equivalent data collection and transfer equipment acceptable to the Parties, shall be installed by Transmission Developer, or by Connecting Transmission Owner at Transmission Developer's expense, to gather accumulated and instantaneous data to be telemetered to the location(s) designated by Connecting Transmission Owner and NYISO through use of a dedicated point-to-point data circuit(s) as indicated in Article 8.1. The communication protocol for the data circuit(s) shall be specified by Connecting Transmission Owner and NYISO. Instantaneous bi-directional analog real power and reactive power flow information must be telemetered directly to the location(s) specified by Connecting Transmission Owner and NYISO.

Each Party will promptly advise the appropriate other Party if it detects or otherwise learns of any metering, telemetry or communications equipment errors or malfunctions that require the attention and/or correction by that other Party. The Party owning such equipment shall correct such error or malfunction as soon as reasonably feasible.

No Annexation.

Any and all equipment placed on the premises of a Party shall be and remain the property of the Party providing such equipment regardless of the mode and manner of annexation or attachment to real property, unless otherwise mutually agreed by the Party providing such equipment and the Party receiving such equipment.

ARTICLE 9. OPERATIONS

General.

Each Party shall comply with Applicable Laws and Regulations and Applicable Reliability Standards. Each Party shall provide to the other Parties all information that may reasonably be required by the other Parties to comply with Applicable Laws and Regulations and Applicable Reliability Standards. Connecting Transmission Owner or Transmission Developer, as applicable, shall provide the NYISO with notifications of all of its power system equipment additions or modifications in accordance with ISO Procedures, including the NYISO's Reliability Analysis Data Manual (Manual 24).

NYISO and Connecting Transmission Owner Obligations.

Connecting Transmission Owner and NYISO shall cause the New York State Transmission System to be operated, maintained and controlled in a safe and reliable manner in accordance with this Agreement and the NYISO Tariffs. Connecting Transmission Owner and NYISO may provide operating instructions to Transmission Developer consistent with this Agreement, NYISO procedures and Connecting Transmission Owner's operating protocols and procedures as they may change from time to time. Connecting Transmission Owner and NYISO will consider changes to their respective operating protocols and procedures proposed by Transmission Developer.

SERVICE AGREEMENT NO. 2734

Transmission Developer Obligations.

Transmission Developer shall at its own expense operate, maintain and control the Transmission Project in a safe and reliable manner and in accordance with this Agreement, the NYISO Tariffs, ISO Procedures, and the Operating Agreement. Transmission Developer shall operate the Transmission Project in accordance with NYISO and Connecting Transmission Owner requirements, as such requirements are set forth or referenced in Appendix C hereto. Appendix C will be modified to reflect changes to the requirements as they may change from time to time. Any Party may request that the appropriate other Party or Parties provide copies of the requirements set forth or referenced in Appendix C hereto.

Outages and Interruptions.

9.4.1 Outages.

9.4.1.1 Outage Authority and Coordination.

Transmission Developer and Connecting Transmission Owner may each, in accordance with NYISO procedures and Good Utility Practice and in coordination with the other Party, remove from service any of its Transmission Project facilities or Network Upgrade Facilities that may impact the other Party's facilities as necessary to perform maintenance or testing or to install or replace equipment. Absent an Emergency or Emergency State, the Party scheduling a removal of such facility(ies) from service will use Reasonable Efforts to schedule such removal on a date and time mutually acceptable to both the Transmission Developer and the Connecting Transmission Owner. In all circumstances either Party planning to remove such facility(ies) from service shall use Reasonable Efforts to minimize the effect on the other Party of such removal.

9.4.1.2 Outage Schedules.

The Transmission Developer or Connecting Transmission Owner, as applicable, and pursuant to ISO Procedures, shall post scheduled outages of its respective transmission facilities on the NYISO OASIS.

9.4.1.3 Outage Restoration.

If an outage on the Transmission Project or Network Upgrade Facilities adversely affects the other Party's operations or facilities, the Party that owns the facility that is out of service shall use Reasonable Efforts to promptly restore such facility(ies) to a normal operating condition consistent with the nature of the outage. The Party that owns the facility that is out of service shall provide the other Party and NYISO, to the extent such information is known, information on the nature of the Emergency or Emergency State, an estimated time of restoration, and any corrective actions required. Initial verbal notice shall be followed up as soon as practicable with written notice explaining the nature of the outage.

9.4.2 Interruption of Service. If required by Good Utility Practice or Applicable Reliability Standards to do so, the NYISO, Connecting Transmission Owner, or Transmission

SERVICE AGREEMENT NO. 2734

Developer may require the Connecting Transmission Owner or Transmission Developer to interrupt the transmission of electricity if such transmission of electricity could adversely affect the ability of NYISO and, as applicable, Connecting Transmission Owner or Transmission Developer to perform such activities as are necessary to safely and reliably operate and maintain the New York State Transmission System. The following provisions shall apply to any interruption permitted under this Article 9.4.2:

9.4.2.1 The interruption shall continue only for so long as reasonably necessary under Good Utility Practice;

9.4.2.2 When the interruption must be made under circumstances which do not allow for advance notice, NYISO, Connecting Transmission Owner, or Transmission Developer shall notify, as applicable, Transmission Developer or Connecting Transmission Owner by telephone as soon as practicable of the reasons for the curtailment or interruption, and, if known, its expected duration. Telephone notification shall be followed by written notification as soon as practicable;

9.4.2.3 Except during the existence of an Emergency or Emergency State, when the interruption can be scheduled without advance notice, NYISO, Connecting Transmission Owner, or Transmission Developer shall notify, as applicable, Transmission Developer or Connecting Transmission Owner in advance regarding the timing of such scheduling and of the expected duration. The Parties shall coordinate with each other using Good Utility Practice to schedule the interruption during periods of least impact to the Transmission Developer, the Connecting Transmission Owner and the New York State Transmission System;

9.4.2.4 The Parties shall cooperate and coordinate with each other to the extent necessary in order to restore the Transmission Project, Network Upgrade Facilities, and the New York State Transmission System to their normal operating state, consistent with system conditions and Good Utility Practice.

9.4.3 System Protection and Other Control Requirements.

9.4.3.1 System Protection Facilities. Transmission Developer shall, at its expense, install, operate and maintain System Protection Facilities as a part of the Transmission Project. Connecting Transmission Owner shall install at Transmission Developer's expense any System Protection Facilities that may be required on the New York State Transmission System as a result of the interconnection of the Transmission Project.

9.4.3.2 The protection facilities of both the Transmission Developer and Connecting Transmission Owner shall be designed and coordinated with other systems in accordance with Good Utility Practice and Applicable Reliability Standards.

9.4.3.3 The Transmission Developer and Connecting Transmission Owner shall each be responsible for protection of its respective facilities consistent with Good Utility Practice and Applicable Reliability Standards.

SERVICE AGREEMENT NO. 2734

9.4.3.4 The protective relay design of the Transmission Developer and Connecting Transmission Owner shall each incorporate the necessary test switches to perform the tests required in Article 6 of this Agreement. The required test switches will be placed such that they allow operation of lockout relays while preventing breaker failure schemes from operating and causing unnecessary breaker operations and/or the tripping of the Transmission Developer's Transmission Project.

9.4.3.5 The Transmission Developer and Connecting Transmission Owner will each test, operate and maintain System Protection Facilities in accordance with Good Utility Practice, NERC and NPCC criteria.

9.4.3.6 Prior to the In-Service Dates of the Network Upgrade Facilities and Transmission Project, the Transmission Developer and Connecting Transmission Owner shall each perform, or their agents shall perform, a complete calibration test and functional trip test of the System Protection Facilities. At intervals suggested by Good Utility Practice and following any apparent malfunction of the System Protection Facilities, the Transmission Developer and Connecting Transmission Owner shall each perform both calibration and functional trip tests of its System Protection Facilities. These tests do not require the tripping of any in-service generation unit. These tests do, however, require that all protective relays and lockout contacts be activated.

9.4.4 Requirements for Protection.

In compliance with NPCC requirements and Good Utility Practice, Transmission Developer shall provide, install, own, and maintain relays, circuit breakers and all other devices necessary to remove any fault contribution of the Transmission Project to any short circuit occurring on the New York State Transmission System not otherwise isolated by Connecting Transmission Owner's equipment, such that the removal of the fault contribution shall be coordinated with the protective requirements of the New York State Transmission System. Such protective equipment shall include, without limitation, a disconnecting device or switch with load-interrupting capability located between the Transmission Project and the New York State Transmission System at a site selected upon mutual agreement (not to be unreasonably withheld, conditioned or delayed) of the Transmission Developer and Connecting Transmission Owner. Transmission Developer shall be responsible for protection of the Transmission Project and Transmission Developer's other equipment from such conditions as negative sequence currents, over- or under-frequency, sudden load rejection, over- or under-voltage, and generator loss-of-field. Transmission Developer shall be solely responsible to disconnect the Transmission Project and Transmission Developer's other equipment if conditions on the New York State Transmission System could adversely affect the Transmission Project.

9.4.5 Power Quality.

Neither the facilities of Transmission Developer nor the facilities of Connecting Transmission Owner shall cause excessive voltage flicker nor introduce excessive distortion to the sinusoidal voltage or current waves as defined by ANSI Standard C84.1-1989, in accordance

New York Independent System Operator, Inc. - NYISO Agreements - Service Agreements - TPIA among NYISO ConEd Transco for Dover PAR with IEEE Standard 519, or any applicable superseding electric industry standard. In the event of a conflict between ANSI Standard C84.1-1989, or any applicable superseding electric industry

SERVICE AGREEMENT NO. 2734

standard, ANSI Standard C84.1-1989, or the applicable superseding electric industry standard, shall control.

Switching and Tagging Rules.

The Transmission Developer and Connecting Transmission Owner shall each provide the other Party a copy of its switching and tagging rules that are applicable to the other Party's activities. Such switching and tagging rules shall be developed on a nondiscriminatory basis. The Parties shall comply with applicable switching and tagging rules, as amended from time to time, in obtaining clearances for work or for switching operations on equipment.

Disturbance Analysis Data Exchange.

The Parties will cooperate with one another and the NYISO in the analysis of disturbances to either the Transmission Project or the New York State Transmission System by gathering and providing access to any information relating to any disturbance, including information from disturbance recording equipment, protective relay targets, breaker operations and sequence of events records, and any disturbance information required by Good Utility Practice

ARTICLE 10. MAINTENANCE

Connecting Transmission Owner Obligations.

Connecting Transmission Owner shall maintain its transmission facilities, including the Network Upgrade Facilities, in a safe and reliable manner and in accordance with this Agreement.

Transmission Developer Obligations.

Transmission Developer shall maintain its Transmission Project in a safe and reliable manner and in accordance with this Agreement.

Coordination.

The Transmission Developer and Connecting Transmission Owner shall confer regularly to coordinate the planning, scheduling and performance of preventive and corrective maintenance on the Transmission Project and Network Upgrade Facilities. The Transmission Developer and Connecting Transmission Owner shall keep NYISO fully informed of the preventive and corrective maintenance that is planned, and shall schedule all such maintenance in accordance with NYISO procedures.

Secondary Systems.

The Transmission Developer and Connecting Transmission Owner shall each cooperate with the other in the inspection, maintenance, and testing of control or power circuits that operate

New York Independent System Operator, Inc. - NYISO Agreements - Service Agreements - TPIA among NYISO ConEd Transco for Dover PAR below 600 volts, AC or DC, including, but not limited to, any hardware, control or protective devices, cables, conductors, electric raceways, secondary equipment panels, transducers,

SERVICE AGREEMENT NO. 2734

batteries, chargers, and voltage and current transformers that directly affect the operation of Transmission Developer or Connecting Transmission Owner's facilities and equipment which may reasonably be expected to impact the other Party. The Transmission Developer and Connecting Transmission Owner shall each provide advance notice to the other Party, and to NYISO, before undertaking any work on such circuits, especially on electrical circuits involving circuit breaker trip and close contacts, current transformers, or potential transformers.

Operating and Maintenance Expenses.

Subject to the provisions herein addressing the use of facilities by others, and except for operations and maintenance expenses associated with modifications made for providing interconnection or transmission service to a third party and such third party pays for such expenses, Transmission Developer shall be responsible for all reasonable expenses including overheads, associated with owning, operating, maintaining, repairing, and replacing the Transmission Project. The Connecting Transmission Owner shall be responsible for all reasonable expenses including overheads, associated with owning, operating, maintaining, repairing, and replacing the Network Upgrade Facilities.

ARTICLE 11. PERFORMANCE OBLIGATION

Transmission Project.

Transmission Developer shall design, procure, construct, install, own and/or control the Transmission Project described in Appendix C hereto, at its sole expense.

Network Upgrade Facilities.

Connecting Transmission Owner and Transmission Developer shall design, procure, construct, and install the Network Upgrade Facilities as specified in Appendix A hereto. Connecting Transmission Owner shall have ownership and control of the Network Upgrade Facilities.

Special Provisions for Affected Systems.

For the re-payment of amounts advanced to Affected System Operator for Network Upgrade Facilities, the Transmission Developer and Affected System Operator shall enter into an agreement that provides for such re-payment, but only if responsibility for the cost of such Network Upgrade Facilities is not to be allocated in accordance with the Facilities Study report. The agreement shall specify the terms governing payments to be made by the Transmission Developer to the Affected System Operator as well as the re-payment by the Affected System Operator.

Provision of Security.

Simultaneously with the execution of this Agreement, the Transmission Developer: (i) shall deliver to the Connecting Transmission Owner a signed security agreement, by and

New York Independent System Operator, Inc. - NYISO Agreements - Service Agreements - TPIA among NYISO ConEd Transco for Dover PAR
between the Transmission Developer and the Connecting Transmission Owner, in a form that is
acceptable to the Connecting Transmission Owner in its sole discretion, securing the

SERVICE AGREEMENT NO. 2734

performance of the Transmission Developer's obligations under this Agreement, and (ii) shall provide the Connecting Transmission Owner with an irrevocable, transferrable standby letter of credit in the form required by the aforementioned security agreement in the amount of the cost estimate for the Network Upgrade Facilities, as documented in the Facilities Study report, in accordance with Section 22.9.3 of Attachment P of the ISO OATT. This amount of Security is set forth in Appendix A of this Agreement. Upon the successful turnover, commissioning, and energization of any Network Upgrade Facility, the Security shall be reduced on a dollar-for-dollar basis for payments made to Connecting Transmission Owner for the purpose of performing engineering design, constructing, procuring, and installing of such Network Upgrade Facility.

In addition:

11.4.1 Reserved.

11.4.2 The letter of credit must be issued by a financial institution reasonably acceptable to Connecting Transmission Owner and must specify a reasonable expiration date.

11.4.3 Reserved.

Forfeiture of Security

The Security that the Transmission Developer provides the Connecting Transmission Owner in accordance with Article 11.4 of this Agreement shall be irrevocable and shall be subject to forfeiture in the event that the Transmission Developer subsequently terminates or abandons development of the Transmission Project. Any Security provided by the Transmission Developer to the Connecting Transmission Owner shall be subject to forfeiture to the extent necessary to defray the cost of: (1) Network Upgrade Facilities required for other Transmission Developers whose Transmission Project interconnection studies included the Transmission Developer's Transmission Project and Network Upgrade Facilities in their base cases; and (2) System Upgrade Facilities and System Deliverability Upgrade Facilities required for projects for which the Transmission Project and Network Upgrade Facilities were included in their Annual Transmission Reliability Assessment and/or Class Year Deliverability Study, as applicable. If Transmission Developer's Security is subject to forfeiture to defray the costs of an affected upgrade pursuant to this Article 11.5 and the Security is not in a form that can be readily drawn on by the Connecting Transmission Owner to defray the costs of the affected upgrade, Transmission Developer shall negotiate in good faith with the Connecting Transmission Owner to replace the Security with cash or an alternative form of Security that can be readily drawn on by Connecting Transmission Owner up to the amount required to satisfy Transmission Developer's Security obligations under this Agreement, including defraying the costs of the affected upgrade. Connecting Transmission Owner shall only be responsible for using Transmission Developer's Security to defray the costs of an affected upgrade to the extent Transmission Developer has provided cash or Security in a form that the Connecting Transmission Owner can readily draw on to defray such costs.

SERVICE AGREEMENT NO. 2734

Network Upgrade Facility Costs

11.6.1 If the actual cost of Network Upgrade Facilities is less than the agreed-to and secured amount, Transmission Developer is responsible only for the actual cost figure.

11.6.2 If the actual cost of Network Upgrade Facilities is greater than the agreed-to and secured amount because other projects have been expanded, accelerated, otherwise modified or terminated, Transmission Developer is responsible only for the agreed-to and secured amount for the Network Upgrade Facilities. The additional cost is covered by the developers of the modified projects, or by the drawing on the cash that has been paid and the Security that has been posted for terminated projects, depending on the factors that caused the additional cost. Such forfeitable Security from other developers will be drawn on only as needed for this purpose, and only to the extent that the terminated project associated with that Security has caused additional cost and that the developer of the terminated project has provided cash or Security in a form that the Connecting Transmission Owner can readily draw on.

11.6.3 If the actual cost of the Network Upgrade Facilities is greater than the agreed-to and secured amount for reasons other than those set forth in Article 11.6.2, Transmission Developer will pay all prudently incurred additional costs to Connecting Transmission Owner as such costs are incurred; *provided, however*, that if practicable, the Connecting Transmission Owner shall provide Transmission Developer with thirty (30) days advance, written notice detailing any costs that Connecting Transmission Owner reasonably anticipates will exceed the agreed to and secured amount. Disputes between Transmission Developer and Connecting Transmission Owner concerning costs in excess of the agreed-to and secured amount will be resolved by the parties in accordance with the terms and conditions of Article 27.

Line Outage Costs.

Notwithstanding anything in the ISO OATT to the contrary, the Connecting Transmission Owner may propose to recover line outage costs associated with the installation of Network Upgrade Facilities on a case-by-case basis.

ARTICLE 12. INVOICE

General.

The Transmission Developer and Connecting Transmission Owner shall each submit to the other Party, on a monthly basis, invoices of amounts due for the preceding month or as otherwise agreed by such Parties and as set forth in Section 2 of Appendix B. Each invoice shall state the month to which the invoice applies and fully describe the services and equipment provided. The Transmission Developer and Connecting Transmission Owner may discharge mutual debts and payment obligations due and owing to each other on the same date through netting, in which case all amounts one Party owes to the other Party under this Agreement, including interest payments or credits, shall be netted so that only the net amount remaining due shall be paid by the owing Party.

SERVICE AGREEMENT NO. 2734

Final Invoice and Refund of Remaining Security.

Within six months after completion of the construction of Network Upgrade Facilities, Connecting Transmission Owner shall provide an invoice of the final cost of the construction of the Network Upgrade Facilities and shall set forth such costs in sufficient detail to enable Transmission Developer to compare the actual costs with the estimates and to ascertain deviations, if any, from the cost estimates. Connecting Transmission Owner shall refund to Transmission Developer any amount by which the actual payment by Transmission Developer for estimated costs exceeds the actual costs of construction within thirty (30) Calendar Days of the issuance of such final construction invoice. Following the later of (i) the completion of the construction of the Network Upgrade Facilities and Connecting Transmission Owner's acceptance of the Network Upgrade Facilities or (ii) Transmission Developer's payment of any final invoice issued under this Article 12.2, Connecting Transmission Owner shall refund to the Transmission Developer any remaining portions of its Security, except as set forth in Article 11.5. Connecting Transmission Owner shall provide Transmission Developer with the refunded amount within thirty (30) Calendar Days of the Parties' satisfaction of the requirements in this Article 12.2.

Payment.

Invoices shall be rendered to the paying Party at the address specified in Appendix F hereto. The Party receiving the invoice shall pay the invoice within thirty (30) Calendar Days of receipt. All payments shall be made in immediately available funds payable to the other Party, or by wire transfer to a bank named and account designated by the invoicing Party. Payment of invoices will not constitute a waiver of any rights or claims the paying Party may have under this Agreement.

Disputes.

In the event of a billing dispute between Connecting Transmission Owner and Transmission Developer, Connecting Transmission Owner shall continue to perform under this Agreement as long as Transmission Developer: (i) continues to make all payments not in dispute; and (ii) pays to Connecting Transmission Owner or into an independent escrow account the portion of the invoice in dispute, pending resolution of such dispute. If Transmission Developer fails to meet these two requirements for continuation of service, then Connecting Transmission Owner may provide notice to Transmission Developer of a Default pursuant to Article 17. Within thirty (30) Calendar Days after the resolution of the dispute, the Party that owes money to the other Party shall pay the amount due with interest calculated in accord with the methodology set forth in FERC's Regulations at 18 C.F.R. § 35.19a(a)(2)(iii).

ARTICLE 13. EMERGENCIES

Obligations.

Each Party shall comply with the Emergency State procedures of NYISO, the applicable Reliability Councils, Applicable Laws and Regulations, and any emergency procedures agreed to by the NYISO Operating Committee. Transmission Developer and Connecting Transmission

SERVICE AGREEMENT NO. 2734

Owner agree to coordinate with NYISO to develop procedures that will address the operations of the Transmission Project during Emergency conditions.

Notice.

Each Party shall notify the other Parties promptly when it becomes aware of an Emergency or Emergency State that affects, or may reasonably be expected to affect, the Transmission Project or the New York State Transmission System. To the extent information is known, the notification shall describe the Emergency or Emergency State, the extent of the damage or deficiency, the expected effect on the operation of Transmission Developer's or Connecting Transmission Owner's facilities and operations, its anticipated duration and the corrective action taken and/or to be taken. The initial notice shall be followed as soon as practicable with written notice.

Immediate Action.

Unless, in Transmission Developer's reasonable judgment, immediate action is required, Transmission Developer shall obtain the consent of Connecting Transmission Owner, such consent to not be unreasonably withheld, prior to performing any manual switching operations at the Transmission Project in response to an Emergency or Emergency State either declared by NYISO, Connecting Transmission Owner or otherwise regarding New York State Transmission System.

NYISO, Transmission Developer, and Connecting Transmission Owner Authority.

Consistent with ISO Procedures, Good Utility Practice, and this Agreement, any Party may take whatever actions with regard to the New York State Transmission System it deems necessary during an Emergency or Emergency State in order to (i) preserve public health and safety, (ii) preserve the reliability of the New York State Transmission System, (iii) limit or prevent damage, and (iv) expedite restoration of service. Transmission Developer and Connecting Transmission Owner shall use Reasonable Efforts to assist the other in such actions.

Limited Liability.

No Party shall be liable to another Party for any action it takes in responding to an Emergency or Emergency State so long as such action is made in good faith and is consistent with Good Utility Practice and the NYISO Tariffs.

ARTICLE 14. REGULATORY REQUIREMENTS AND GOVERNING LAW

Regulatory Requirements.

Each Party's obligations under this Agreement shall be subject to its receipt of any required approval or certificate from one or more Governmental Authorities in the form and substance satisfactory to the applying Party, or the Party making any required filings with, or providing notice to, such Governmental Authorities, and the expiration of any time period

New York Independent System Operator, Inc. - NYISO Agreements - Service Agreements - TPIA among NYISO ConEd Transco for Dover PAR associated therewith. Each Party shall in good faith seek and use its Reasonable Efforts to obtain

SERVICE AGREEMENT NO. 2734

such other approvals. Nothing in this Agreement shall require Transmission Developer to take any action that could result in its inability to obtain, or its loss of, status or exemption under the Federal Power Act or the Public Utility Holding Company Act of 2005 or the Public Utility Regulatory Policies Act of 1978, as amended.

Governing Law.

14.2.1 The validity, interpretation and performance of this Agreement and each of its provisions shall be governed by the laws of the state of New York, without regard to its conflicts of law principles.

14.2.2 This Agreement is subject to all Applicable Laws and Regulations.

14.2.3 Each Party expressly reserves the right to seek changes in, appeal, or otherwise contest any laws, orders, rules, or regulations of a Governmental Authority.

ARTICLE 15. NOTICES

General.

Unless otherwise provided in this Agreement, any notice, demand or request required or permitted to be given by a Party to the other Parties and any instrument required or permitted to be tendered or delivered by a Party in writing to the other Parties shall be effective when delivered and may be so given, tendered or delivered, by recognized national courier, or by depositing the same with the United States Postal Service with postage prepaid, for delivery by certified or registered mail, addressed to the Party, or personally delivered to the Party, at the address set out in Appendix F hereto.

A Party may change the notice information in this Agreement by giving five (5) Business Days written notice prior to the effective date of the change.

Billings and Payments.

Billings and payments shall be sent to the addresses set out in Appendix F hereto.

Alternative Forms of Notice.

Any notice or request required or permitted to be given by a Party to the other Parties and not required by this Agreement to be given in writing may be so given by telephone, facsimile or email to the telephone numbers and email addresses set out in Appendix F hereto.

Operations and Maintenance Notice.

Transmission Developer and Connecting Transmission Owner shall each notify the other Party, and NYISO, in writing of the identity of the person(s) that it designates as the point(s) of contact with respect to the implementation of Articles 9 and 10 of this Agreement.

SERVICE AGREEMENT NO. 2734

ARTICLE 16. FORCE MAJEURE

16.1 Economic hardship is not considered a Force Majeure event.

16.2 A Party shall not be responsible or liable, or deemed, in Default with respect to any obligation hereunder, other than the obligation to pay money when due, to the extent the Party is prevented from fulfilling such obligation by Force Majeure. A Party unable to fulfill any obligation hereunder (other than an obligation to pay money when due) by reason of Force Majeure shall give notice and the full particulars of such Force Majeure to the other Parties in writing or by telephone as soon as reasonably possible after the occurrence of the cause relied upon. Telephone notices given pursuant to this Article shall be confirmed in writing as soon as reasonably possible and shall specifically state full particulars of the Force Majeure, the time and date when the Force Majeure occurred and when the Force Majeure is reasonably expected to cease. The Party affected shall exercise due diligence to remove such disability with reasonable dispatch, but shall not be required to accede or agree to any provision not satisfactory to it in order to settle and terminate a strike or other labor disturbance.

ARTICLE 17. DEFAULT

General.

No Breach shall exist where such failure to discharge an obligation (other than the payment of money) is the result of Force Majeure as defined in this Agreement or the result of an act or omission of the other Parties. Upon a Breach, the non-Breaching Parties shall give written notice of such to the Breaching Party. The Breaching Party shall have thirty (30) Calendar Days from receipt of the Breach notice within which to cure such Breach; provided however, if such Breach is not capable of cure within thirty (30) Calendar Days, the Breaching Party shall commence such cure within thirty (30) Calendar Days after notice and continuously and diligently complete such cure within ninety (90) Calendar Days from receipt of the Breach notice; and, if cured within such time, the Breach specified in such notice shall cease to exist.

Right to Terminate.

If a Breach is not cured as provided in this Article 17, or if a Breach is not capable of being cured within the period provided for herein, the non-Breaching Parties acting together shall thereafter have the right to declare a Default and terminate this Agreement by written notice at any time until cure occurs, and be relieved of any further obligation hereunder and, whether or not those Parties terminate this Agreement, to recover from the defaulting Party all amounts due hereunder, plus all other damages and remedies to which they are entitled at law or in equity. The provisions of this Article will survive termination of this Agreement.

ARTICLE 18. INDEMNITY, CONSEQUENTIAL DAMAGES AND INSURANCE

Indemnity.

Each Party (the "Indemnifying Party") shall at all times indemnify, defend, and save

New York Independent System Operator, Inc. - NYISO Agreements - Service Agreements - TPIA among NYISO ConEd Transco for Dover PAR
harmless, as applicable, the other Parties (each an “Indemnified Party”) from, any and all
damages, losses, claims, including claims and actions relating to injury to or death of any person

SERVICE AGREEMENT NO. 2734

or damage to property, the alleged violation of any Environmental Law, or the release or threatened release of any Hazardous Substance, demand, suits, recoveries, costs and expenses, court costs, attorney fees, and all other obligations by or to third parties (any and all of these a “Loss”), arising out of or resulting from (i) the Indemnified Party’s performance of its obligations under this Agreement on behalf of the Indemnifying Party, except in cases where the Indemnifying Party can demonstrate that the Loss of the Indemnified Party was caused by the gross negligence or intentional wrongdoing of the Indemnified Party or (ii) the violation by the Indemnifying Party of any Environmental Law or the release by the Indemnifying Party of any Hazardous Substance.

18.1.1 Indemnified Party.

If a Party is entitled to indemnification under this Article 18 as a result of a claim by a third party, and the Indemnifying Party fails, after notice and reasonable opportunity to proceed under Article 18.1.3, to assume the defense of such claim, such Indemnified Party may at the expense of the Indemnifying Party contest, settle or consent to the entry of any judgment with respect to, or pay in full, such claim.

18.1.2 Indemnifying Party.

If an Indemnifying Party is obligated to indemnify and hold any Indemnified Party harmless under this Article 18, the amount owing to the Indemnified Party shall be the amount of such Indemnified Party’s actual Loss, net of any insurance or other recovery.

18.1.3 Indemnity Procedures.

Promptly after receipt by an Indemnified Party of any claim or notice of the commencement of any action or administrative or legal proceeding or investigation as to which the indemnity provided for in Article 18.1 may apply, the Indemnified Party shall notify the Indemnifying Party of such fact. Any failure of or delay in such notification shall not affect a Party’s indemnification obligation unless such failure or delay is materially prejudicial to the Indemnifying Party.

Except as stated below, the Indemnifying Party shall have the right to assume the defense thereof with counsel designated by such Indemnifying Party and reasonably satisfactory to the Indemnified Party. If the defendants in any such action include one or more Indemnified Parties and the Indemnifying Party and if the Indemnified Party reasonably concludes that there may be legal defenses available to it and/or other Indemnified Parties which are different from or additional to those available to the Indemnifying Party, the Indemnified Party shall have the right to select separate counsel to assert such legal defenses and to otherwise participate in the defense of such action on its own behalf. In such instances, the Indemnifying Party shall only be required to pay the fees and expenses of one additional attorney to represent an Indemnified Party or Indemnified Parties having such differing or additional legal defenses.

The Indemnified Party shall be entitled, at its expense, to participate in any such action, suit or proceeding, the defense of which has been assumed by the Indemnifying Party.

SERVICE AGREEMENT NO. 2734

Notwithstanding the foregoing, the Indemnifying Party (i) shall not be entitled to assume and control the defense of any such action, suit or proceedings if and to the extent that, in the opinion of the Indemnified Party and its counsel, such action, suit or proceeding involves the potential imposition of criminal liability on the Indemnified Party, or there exists a conflict or adversity of interest between the Indemnified Party and the Indemnifying Party, in such event the Indemnifying Party shall pay the reasonable expenses of the Indemnified Party, and (ii) shall not settle or consent to the entry of any judgment in any action, suit or proceeding without the consent of the Indemnified Party, which shall not be unreasonably withheld, conditioned or delayed.

No Consequential Damages.

Other than the indemnity obligations set forth in Article 18.1, in no event shall any Party be liable under any provision of this Agreement for any losses, damages, costs or expenses for any special, indirect, incidental, consequential, or punitive damages, including but not limited to loss of profit or revenue, loss of the use of equipment, cost of capital, cost of temporary equipment or services, whether based in whole or in part in contract, in tort, including negligence, strict liability, or any other theory of liability; provided, however, that damages for which a Party may be liable to another Party under separate agreement will not be considered to be special, indirect, incidental, or consequential damages hereunder.

Insurance.

Transmission Developer and Connecting Transmission Owner shall each, at its own expense, procure and maintain in force throughout the period of this Agreement and until released by the other Parties, the following minimum insurance coverages, with insurance companies licensed to write insurance or approved eligible surplus lines carriers in the state of New York with a minimum A.M. Best rating of A or better for financial strength, and an A.M. Best financial size category of VIII or better:

18.3.1 Employers' Liability and Workers' Compensation Insurance providing statutory benefits in accordance with the laws and regulations of New York State.

18.3.2 Commercial General Liability ("CGL") Insurance including premises and operations, personal injury, broad form property damage, broad form blanket contractual liability coverage products and completed operations coverage, coverage for explosion, collapse and underground hazards, independent contractors coverage, coverage for pollution to the extent normally available and punitive damages to the extent normally available using Insurance Services Office, Inc. Commercial General Liability Coverage ("ISO CG") Form CG 00 01 04 13 or a form equivalent to or better than CG 00 01 04 13, with minimum limits of Two Million Dollars (\$2,000,000) per occurrence and Two Million Dollars (\$2,000,000) aggregate combined single limit for personal injury, bodily injury, including death and property damage.

18.3.3 Comprehensive Automobile Liability Insurance for coverage of owned and nonowned and hired vehicles, trailers or semi-trailers designed for travel on public roads, with a

New York Independent System Operator, Inc. - NYISO Agreements - Service Agreements - TPIA among NYISO ConEd Transco for Dover PAR
minimum, combined single limit of One Million Dollars (\$1,000,000) per occurrence for bodily
injury, including death, and property damage.

SERVICE AGREEMENT NO. 2734

18.3.4 If applicable, the Commercial General Liability and Comprehensive Automobile Liability Insurance policies should include contractual liability for work in connection with construction or demolition work on or within 50 feet of a railroad, or a separate Railroad Protective Liability Policy should be provided.

18.3.5 Excess Liability Insurance over and above the Employers' Liability, Commercial General Liability and Comprehensive Automobile Liability Insurance coverages, with a minimum combined single limit of Twenty Million Dollars (\$20,000,000) per occurrence and Twenty Million Dollars (\$20,000,000) aggregate. The Excess policies should contain the same extensions listed under the Primary policies.

18.3.6 The Commercial General Liability Insurance, Comprehensive Automobile Insurance and Excess Liability Insurance policies of Transmission Developer and Connecting Transmission Owner shall name the other Party, its parent, associated and Affiliate companies and their respective directors, officers, agents, servants and employees ("Other Party Group") as additional insureds using ISO CG Endorsements: CG 20 33 04 13, and CG 20 37 04 13 or CG 20 10 04 13 and CG 20 37 04 13 or equivalent to or better forms. All policies shall contain provisions whereby the insurers waive all rights of subrogation in accordance with the provisions of this Agreement against the Other Party Group and provide thirty (30) Calendar days advance written notice to the Other Party Group prior to anniversary date of cancellation or any material change in coverage or condition.

18.3.7 The Commercial General Liability Insurance, Comprehensive Automobile Liability Insurance and Excess Liability Insurance policies shall contain provisions that specify that the policies are primary and non-contributory. Transmission Developer and Connecting Transmission Owner shall each be responsible for its respective deductibles or retentions.

18.3.8 The Commercial General Liability Insurance, Comprehensive Automobile Liability Insurance and Excess Liability Insurance policies, if written on a Claims First Made Basis, shall be maintained in full force and effect for at least three (3) years after termination of this Agreement, which coverage may be in the form of tail coverage or extended reporting period coverage if agreed by the Transmission Developer and Connecting Transmission Owner.

18.3.9 If applicable, Pollution Liability Insurance in an amount no less than \$7,500,000 per occurrence and \$7,500,000 in the aggregate. The policy will provide coverage for claims resulting from pollution or other environmental impairment arising out of or in connection with work performed on the premises by the other party, its contractors and and/or subcontractors. Such insurance is to include coverage for, but not be limited to, cleanup, third party bodily injury and property damage and remediation and will be written on an occurrence basis. The policy shall name the Other Party Group as additional insureds, be primary and contain a waiver of subrogation.

18.3.10 The requirements contained herein as to the types and limits of all insurance to be maintained by the Transmission Developer and Connecting Transmission Owner

SERVICE AGREEMENT NO. 2734

are not intended to and shall not in any manner, limit or qualify the liabilities and obligations assumed by those Parties under this Agreement.

18.3.11 Within ten (10) days following execution of this Agreement, and as soon as practicable after the end of each fiscal year or at the renewal of the insurance policy and in any event within ninety (90) days thereafter, Transmission Developer and Connecting Transmission Owner shall provide certificate of insurance for all insurance required in this Agreement, executed by each insurer or by an authorized representative of each insurer.

18.3.12 Notwithstanding the foregoing, Transmission Developer and Connecting Transmission Owner may each self-insure to meet the minimum insurance requirements of Articles 18.3.1 through 18.3.9 to the extent it maintains a self-insurance program; provided that, such Party's senior debt is rated at investment grade, or better, by Standard & Poor's and that its self-insurance program meets the minimum insurance requirements of Articles 18.3.1 through 18.3.9. In the event that a Party is permitted to self-insure pursuant to this Article 18.3.12, it shall notify the other Party that it meets the requirements to self-insure and that its self-insurance program meets the minimum insurance requirements in a manner consistent with that specified in Articles 18.3.1 through 18.3.9 and provide evidence of such coverages. For any period of time that a Party's senior debt is unrated by Standard & Poor's or is rated at less than investment grade by Standard & Poor's, such Party shall comply with the insurance requirements applicable to it under Articles 18.3.1 through 18.3.9.

18.3.13 Transmission Developer and Connecting Transmission Owner agree to report to each other in writing as soon as practical all accidents or occurrences resulting in injuries to any person, including death, and any property damage arising out of this Agreement.

18.3.14 Subcontractors of each party must maintain the same insurance requirements stated under Articles 18.3.1 through 18.3.9 and comply with the Additional Insured requirements herein. In addition, their policies must state that they are primary and non-contributory and contain a waiver of subrogation.

ARTICLE 19. ASSIGNMENT

This Agreement may be assigned by a Party only with the written consent of the other Parties; provided that a Party may assign this Agreement without the consent of the other Parties to any Affiliate of the assigning Party with an equal or greater credit rating and with the legal authority and operational ability to satisfy the obligations of the assigning Party under this Agreement; provided further that a Party may assign this Agreement without the consent of the other Parties in connection with the sale, merger, restructuring, or transfer of a substantial portion or all of its assets, so long as the assignee in such a transaction directly assumes in writing all rights, duties and obligations arising under this Agreement; and provided further that the Transmission Developer shall have the right to assign this Agreement, without the consent of the NYISO or Connecting Transmission Owner, for collateral security purposes to aid in providing financing for the Transmission Project, provided that the Transmission Developer will promptly notify the NYISO and Connecting Transmission Owner of any such assignment. Any

New York Independent System Operator, Inc. - NYISO Agreements - Service Agreements - TPIA among NYISO ConEd Transco for Dover PAR
financing arrangement entered into by the Transmission Developer pursuant to this Article will
provide that prior to or upon the exercise of the secured party's, trustee's or mortgagee's

SERVICE AGREEMENT NO. 2734

assignment rights pursuant to said arrangement, the secured creditor, the trustee or mortgagee will notify the NYISO and Connecting Transmission Owner of the date and particulars of any such exercise of assignment right(s) and will provide the NYISO and Connecting Transmission Owner with proof that it meets the requirements of Articles 11.3 and 18.3. Any attempted assignment that violates this Article is void and ineffective. Any assignment under this Agreement shall not relieve a Party of its obligations, nor shall a Party's obligations be enlarged, in whole or in part, by reason thereof. Where required, consent to assignment will not be unreasonably withheld, conditioned or delayed.

ARTICLE 20. SEVERABILITY

If any provision in this Agreement is finally determined to be invalid, void or unenforceable by any court or other Governmental Authority having jurisdiction, such determination shall not invalidate, void or make unenforceable any other provision, agreement or covenant of this Agreement.

ARTICLE 21. COMPARABILITY

The Parties will comply with all applicable comparability and code of conduct laws, rules and regulations, as amended from time to time.

ARTICLE 22. CONFIDENTIALITY

Confidentiality.

Certain information exchanged by the Parties during the term of this Agreement shall constitute confidential information ("Confidential Information") and shall be subject to this Article 22.

If requested by a Party receiving information, the Party supplying the information shall provide in writing, the basis for asserting that the information referred to in this Article warrants confidential treatment, and the requesting Party may disclose such writing to the appropriate Governmental Authority. Each Party shall be responsible for the costs associated with affording confidential treatment to its information.

Term.

During the term of this Agreement, and for a period of three (3) years after the expiration or termination of this Agreement, except as otherwise provided in this Article 22, each Party shall hold in confidence and shall not disclose to any person Confidential Information.

Confidential Information.

The following shall constitute Confidential Information: (1) any non-public information that is treated as confidential by the disclosing Party and which the disclosing Party identifies as Confidential Information in writing at the time, or promptly after the time, of disclosure; or (2)

New York Independent System Operator, Inc. - NYISO Agreements - Service Agreements - TPIA among NYISO ConEd Transco for Dover PAR information designated as Confidential Information by the NYISO Code of Conduct contained in Attachment F to the ISO OATT.

SERVICE AGREEMENT NO. 2734

Scope.

Confidential Information shall not include information that the receiving Party can demonstrate: (1) is generally available to the public other than as a result of a disclosure by the receiving Party; (2) was in the lawful possession of the receiving Party on a non-confidential basis before receiving it from the disclosing Party; (3) was supplied to the receiving Party without restriction by a third party, who, to the knowledge of the receiving Party after due inquiry, was under no obligation to the disclosing Party to keep such information confidential; (4) was independently developed by the receiving Party without reference to Confidential Information of the disclosing Party; (5) is, or becomes, publicly known, through no wrongful act or omission of the receiving Party or Breach of this Agreement; or (6) is required, in accordance with Article 22.9 of this Agreement, Order of Disclosure, to be disclosed by any Governmental Authority or is otherwise required to be disclosed by law or subpoena, or is necessary in any legal proceeding establishing rights and obligations under this Agreement. Information designated as Confidential Information will no longer be deemed confidential if the Party that designated the information as confidential notifies the other Party that it no longer is confidential.

Release of Confidential Information.

No Party shall release or disclose Confidential Information to any other person, except to its Affiliates (limited by FERC Standards of Conduct requirements), subcontractors, employees, consultants, or to parties who may be considering providing financing to or equity participation with Transmission Developer, or to potential purchasers or assignees of a Party, on a need-to-know basis in connection with this Agreement, unless such person has first been advised of the confidentiality provisions of this Article 22 and has agreed to comply with such provisions. Notwithstanding the foregoing, a Party providing Confidential Information to any person shall remain primarily responsible for any release of Confidential Information in contravention of this Article 22.

Rights.

Each Party retains all rights, title, and interest in the Confidential Information that each Party discloses to the other Party. The disclosure by each Party to the other Parties of Confidential Information shall not be deemed a waiver by any Party or any other person or entity of the right to protect the Confidential Information from public disclosure.

No Warranties.

By providing Confidential Information, no Party makes any warranties or representations as to its accuracy or completeness. In addition, by supplying Confidential Information, no Party obligates itself to provide any particular information or Confidential Information to the other Parties nor to enter into any further agreements or proceed with any other relationship or joint venture.

SERVICE AGREEMENT NO. 2734

Standard of Care.

Each Party shall use at least the same standard of care to protect Confidential Information it receives as it uses to protect its own Confidential Information from unauthorized disclosure, publication or dissemination. Each Party may use Confidential Information solely to fulfill its obligations to the other Parties under this Agreement or its regulatory requirements, including the ISO OATT and ISO Services Tariff. The NYISO shall, in all cases, treat the information it receives in accordance with the requirements of Attachment F to the ISO OATT.

Order of Disclosure.

If a court or a Government Authority or entity with the right, power, and apparent authority to do so requests or requires any Party, by subpoena, oral deposition, interrogatories, requests for production of documents, administrative order, or otherwise, to disclose Confidential Information, that Party shall provide the other Parties with prompt notice of such request(s) or requirement(s) so that the other Parties may seek an appropriate protective order or waive compliance with the terms of this Agreement. Notwithstanding the absence of a protective order or waiver, the Party may disclose such Confidential Information which, in the opinion of its counsel, the Party is legally compelled to disclose. Each Party will use Reasonable Efforts to obtain reliable assurance that confidential treatment will be accorded any Confidential Information so furnished.

Termination of Agreement.

Upon termination of this Agreement for any reason, each Party shall, within ten (10) Calendar Days of receipt of a written request from the other Parties, use Reasonable Efforts to destroy, erase, or delete (with such destruction, erasure, and deletion certified in writing to the other Parties) or return to the other Parties, without retaining copies thereof, any and all written or electronic Confidential Information received from the other Parties pursuant to this Agreement.

Remedies.

The Parties agree that monetary damages would be inadequate to compensate a Party for another Party's Breach of its obligations under this Article 22. Each Party accordingly agrees that the other Parties shall be entitled to equitable relief, by way of injunction or otherwise, if the first Party Breaches or threatens to Breach its obligations under this Article 22, which equitable relief shall be granted without bond or proof of damages, and the receiving Party shall not plead in defense that there would be an adequate remedy at law. Such remedy shall not be deemed an exclusive remedy for the Breach of this Article 22, but shall be in addition to all other remedies available at law or in equity. The Parties further acknowledge and agree that the covenants contained herein are necessary for the protection of legitimate business interests and are reasonable in scope. No Party, however, shall be liable for indirect, incidental, or consequential or punitive damages of any nature or kind resulting from or arising in connection with this Article 22.

SERVICE AGREEMENT NO. 2734

Disclosure to FERC, its Staff, or a State.

Notwithstanding anything in this Article 22 to the contrary, and pursuant to 18 C.F.R. section 1b.20, if FERC or its staff, during the course of an investigation or otherwise, requests information from one of the Parties that is otherwise required to be maintained in confidence pursuant to this Agreement or the ISO OATT, the Party shall provide the requested information to FERC or its staff, within the time provided for in the request for information. In providing the information to FERC or its staff, the Party must, consistent with 18 C.F.R. section 388.112, request that the information be treated as confidential and non-public by FERC and its staff and that the information be withheld from public disclosure. Parties are prohibited from notifying the other Parties to this Agreement prior to the release of the Confidential Information to the Commission or its staff. The Party shall notify the other Parties to the Agreement when it is notified by FERC or its staff that a request to release Confidential Information has been received by FERC, at which time the Parties may respond before such information would be made public, pursuant to 18 C.F.R. section 388.112. Requests from a state regulatory body conducting a confidential investigation shall be treated in a similar manner if consistent with the applicable state rules and regulations. A Party shall not be liable for any losses, consequential or otherwise, resulting from that Party divulging Confidential Information pursuant to a FERC or state regulatory body request under this paragraph.

Required Notices Upon Requests or Demands for Confidential Information

Except as otherwise expressly provided herein, no Party shall disclose Confidential Information to any person not employed or retained by the Party possessing the Confidential Information, except to the extent disclosure is (i) required by law; (ii) reasonably deemed by the disclosing Party to be required to be disclosed in connection with a dispute between or among the Parties, or the defense of litigation or dispute; (iii) otherwise permitted by consent of the other Party, such consent not to be unreasonably withheld; or (iv) necessary to fulfill its obligations under this Agreement, the ISO OATT or the ISO Services Tariff. Prior to any disclosures of a Party's Confidential Information under this subparagraph, or if any third party or Governmental Authority makes any request or demand for any of the information described in this subparagraph, the disclosing Party agrees to promptly notify the other Party in writing and agrees to assert confidentiality and cooperate with the other Party in seeking to protect the Confidential Information from public disclosure by confidentiality agreement, protective order or other reasonable measures.

ARTICLE 23. TRANSMISSION DEVELOPER AND CONNECTING TRANSMISSION OWNER NOTICES OF ENVIRONMENTAL RELEASES

Transmission Developer and Connecting Transmission Owner shall each notify the other Party, first orally and then in writing, of the release of any Hazardous Substances, any asbestos or lead abatement activities, or any type of remediation activities related to the Transmission Project or Network Upgrade Facilities, each of which may reasonably be expected to affect the other Party. The notifying Party shall: (i) provide the notice as soon as practicable, provided

New York Independent System Operator, Inc. - NYISO Agreements - Service Agreements - TPIA among NYISO ConEd Transco for Dover PAR
such Party makes a good faith effort to provide the notice no later than twenty-four hours after
such Party becomes aware of the occurrence; and (ii) promptly furnish to the other Party copies

SERVICE AGREEMENT NO. 2734

of any publicly available reports filed with any Governmental Authorities addressing such events. [REDACTED]

ARTICLE 24. INFORMATION REQUIREMENT

Information Acquisition.

[REDACTED] Connecting Transmission Owner and Transmission Developer shall each submit specific information regarding the electrical characteristics of their respective facilities to the other, and to NYISO, as described below and in accordance with Applicable Reliability Standards.

Information Submission Concerning the Network Upgrade Facilities.

The initial information submission by each of Connecting Transmission Owner and Transmission Developer for the portion of the Network Upgrade Facilities for which each is responsible shall occur no later than one hundred eighty (180) Calendar Days prior to Trial Operation of the Network Upgrade Facilities and shall include New York State Transmission System information necessary to allow the Transmission Developer to select equipment and meet any system protection and stability requirements, unless otherwise mutually agreed to by the Transmission Developer and Connecting Transmission Owner. On a quarterly basis Connecting Transmission Owner and Transmission Developer shall each provide the other Parties a status report on the construction and installation of the Network Upgrade Facilities for which it has construction responsibility pursuant to Appendix A, including, but not limited to, the following information: (1) progress to date; (2) a description of the activities since the last report; (3) a description of the action items for the next period; and (4) the delivery status of equipment ordered.

Updated Information Submission Concerning the Transmission Project.

The updated information submission by the Transmission Developer, including manufacturer information, shall occur no later than one hundred eighty (180) Calendar Days prior to the Trial Operation of the Transmission Project. Transmission Developer shall submit a completed copy of the Transmission Project data requirements contained in Appendix 1 to the Transmission Interconnection Procedures. It shall also include any additional information provided to Connecting Transmission Owner for the Facilities Study. Information in this submission shall be the most current Transmission Project design or expected performance data. Information submitted for stability models shall be compatible with NYISO standard models. If there is no compatible model, the Transmission Developer will work with a consultant mutually agreed to by the Parties to develop and supply a standard model and associated information.

If the Transmission Developer's data is different from what was originally provided to Connecting Transmission Owner and NYISO pursuant to a Transmission Interconnection Study agreement among Connecting Transmission Owner, NYISO and Transmission Developer and this difference may be reasonably expected to affect the other Parties' facilities or the New York State Transmission System, but does not require the submission of a new Transmission

New York Independent System Operator, Inc. - NYISO Agreements - Service Agreements - TPIA among NYISO ConEd Transco for Dover PAR Interconnection Application, then NYISO will conduct appropriate studies to determine the impact on the New York State Transmission System based on the actual data submitted pursuant

SERVICE AGREEMENT NO. 2734

to this Article 24.3. Such studies will provide an estimate of any additional modifications to the New York State Transmission System or Network Upgrade Facilities based on the actual data and a good faith estimate of the costs thereof. The Transmission Developer shall not begin Trial Operation for the Transmission Project until such studies are completed. The Transmission Developer shall be responsible for the cost of any modifications required by the actual data, including the cost of any required studies.

Information Supplementation.

Prior to the In-Service Date, the Transmission Developer and Connecting Transmission Owner shall supplement their information submissions described above in this Article 24 with any and all “as-built” Transmission Project and Network Upgrade Facilities information or “astested” performance information that differs from the initial submissions or, alternatively, written confirmation that no such differences exist. The Transmission Developer shall conduct tests on the Transmission Project as required by Good Utility Practice.

Subsequent to the In-Service Date, the Transmission Developer shall provide Connecting Transmission Owner and NYISO any information changes concerning the Transmission Project due to equipment replacement, repair, or adjustment. Connecting Transmission Owner shall provide the Transmission Developer and NYISO any information changes concerning the Network Upgrade Facilities due to equipment replacement, repair or adjustment in the directly connected substation or any adjacent Connecting Transmission Owner substation that may affect the Transmission Project’s equipment ratings, protection or operating requirements. The Transmission Developer and Connecting Transmission Owner shall provide such information no later than thirty (30) Calendar Days after the date of the equipment replacement, repair or adjustment.

ARTICLE 25. INFORMATION ACCESS AND AUDIT RIGHTS

Information Access.

Each Party (“Disclosing Party”) shall make available to another Party (“Requesting Party”) information that is in the possession of the Disclosing Party and is necessary in order for the Requesting Party to: (i) verify the costs incurred by the Disclosing Party for which the Requesting Party is responsible under this Agreement; and (ii) carry out its obligations and responsibilities under this Agreement. The Parties shall not use such information for purposes other than those set forth in this Article 25.1 of this Agreement and to enforce their rights under this Agreement.

Reporting of Non-Force Majeure Events.

Each Party (the “Notifying Party”) shall notify the other Parties when the Notifying Party becomes aware of its inability to comply with the provisions of this Agreement for a reason other than a Force Majeure event. The Parties agree to cooperate with each other and provide necessary information regarding such inability to comply, including the date, duration, reason for

New York Independent System Operator, Inc. - NYISO Agreements - Service Agreements - TPIA among NYISO ConEd Transco for Dover PAR
the inability to comply, and corrective actions taken or planned to be taken with respect to such
inability to comply. Notwithstanding the foregoing, notification, cooperation or information

SERVICE AGREEMENT NO. 2734

provided under this Article shall not entitle the Party receiving such notification to allege a cause for anticipatory breach of this Agreement.

Audit Rights.

Subject to the requirements of confidentiality under Article 22 of this Agreement, each Party shall have the right, during normal business hours, and upon prior reasonable notice to another Party, to audit at its own expense the other Party's accounts and records pertaining to the other Party's performance or satisfaction of its obligations under this Agreement. Such audit rights shall include audits of the other Party's costs, calculation of invoiced amounts, and each Party's actions in an Emergency or Emergency State. Any audit authorized by this Article shall be performed at the offices where such accounts and records are maintained and shall be limited to those portions of such accounts and records that relate to the Party's performance and satisfaction of obligations under this Agreement. Each Party shall keep such accounts and records for a period equivalent to the audit rights periods described in Article 25.4 of this Agreement.

Audit Rights Periods.

25.4.1 Audit Rights Period for Construction-Related Accounts and Records.

Accounts and records related to the design, engineering, procurement, and construction of the Network Upgrade Facilities shall be subject to audit for a period of twenty-four months following Connecting Transmission Owner's issuance of a final invoice in accordance with Article 12.2 of this Agreement.

25.4.2 Audit Rights Period for All Other Accounts and Records.

Accounts and records related to a Party's performance or satisfaction of its obligations under this Agreement other than those described in Article 25.4.1 of this Agreement shall be subject to audit as follows: (i) for an audit relating to cost obligations, the applicable audit rights period shall be twenty-four months after the auditing Party's receipt of an invoice giving rise to such cost obligations; and (ii) for an audit relating to all other obligations, the applicable audit rights period shall be twenty-four months after the event for which the audit is sought.

Audit Results.

If an audit by a Party determines that an overpayment or an underpayment has occurred, a notice of such overpayment or underpayment shall be given to the other Party together with those records from the audit which support such determination.

ARTICLE 26. SUBCONTRACTORS

General.

Nothing in this Agreement shall prevent a Party from utilizing the services of any

New York Independent System Operator, Inc. - NYISO Agreements - Service Agreements - TPIA among NYISO ConEd Transco for Dover PAR subcontractor as it deems appropriate to perform its obligations under this Agreement; provided, however, that each Party shall require its subcontractors to comply with all applicable terms and

SERVICE AGREEMENT NO. 2734

conditions of this Agreement in providing such services and each Party shall remain primarily liable to the other Parties for the performance of such subcontractor.

Responsibility of Principal.

The creation of any subcontract relationship shall not relieve the hiring Party of any of its obligations under this Agreement. The hiring Party shall be fully responsible to the other Parties for the acts or omissions of any subcontractor the hiring Party hires as if no subcontract had been made; provided, however, that in no event shall the NYISO or Connecting Transmission Owner be liable for the actions or inactions of the Transmission Developer or its subcontractors with respect to obligations of the Transmission Developer under Article 5 of this Agreement. Any applicable obligation imposed by this Agreement upon the hiring Party shall be equally binding upon, and shall be construed as having application to, any subcontractor of such Party.

No Limitation by Insurance.

The obligations under this Article 26 will not be limited in any way by any limitation of subcontractor's insurance.

ARTICLE 27. DISPUTES

Submission.

In the event any Party has a dispute, or asserts a claim, that arises out of or in connection with this Agreement or its performance (a "Dispute"), such Party shall provide the other Parties with written notice of the Dispute ("Notice of Dispute"). Such Dispute shall be referred to a designated senior representative of each Party for resolution on an informal basis as promptly as practicable after receipt of the Notice of Dispute by the other Parties. In the event the designated representatives are unable to resolve the Dispute through unassisted or assisted negotiations within thirty (30) Calendar Days of the other Parties' receipt of the Notice of Dispute, such Dispute may, upon mutual agreement of the Parties, be submitted to arbitration and resolved in accordance with the arbitration procedures set forth below. In the event the Parties do not agree to submit such Dispute to arbitration, each Party may exercise whatever rights and remedies it may have in equity or at law consistent with the terms of this Agreement.

External Arbitration Procedures.

Any arbitration initiated under this Agreement shall be conducted before a single neutral arbitrator appointed by the Parties. If the Parties fail to agree upon a single arbitrator within ten (10) Calendar Days of the submission of the Dispute to arbitration, each Party shall choose one arbitrator who shall sit on a three-member arbitration panel. In each case, the arbitrator(s) shall be knowledgeable in electric utility matters, including electric transmission and bulk power issues, and shall not have any current or past substantial business or financial relationships with any party to the arbitration (except prior arbitration). The arbitrator(s) shall provide each of the Parties an opportunity to be heard and, except as otherwise provided herein, shall conduct the

New York Independent System Operator, Inc. - NYISO Agreements - Service Agreements - TPIA among NYISO ConEd Transco for Dover PAR arbitration in accordance with the Commercial Arbitration Rules of the American Arbitration Association (“Arbitration Rules”) and any applicable FERC regulations or RTO rules; provided,

SERVICE AGREEMENT NO. 2734

however, in the event of a conflict between the Arbitration Rules and the terms of this Article 27, the terms of this Article 27 shall prevail.

Arbitration Decisions.

Unless otherwise agreed by the Parties, the arbitrator(s) shall render a decision within ninety (90) Calendar Days of appointment and shall notify the Parties in writing of such decision and the reasons therefor. The arbitrator(s) shall be authorized only to interpret and apply the provisions of this Agreement and shall have no power to modify or change any provision of this Agreement in any manner. The decision of the arbitrator(s) shall be final and binding upon the Parties, and judgment on the award may be entered in any court having jurisdiction. The decision of the arbitrator(s) may be appealed solely on the grounds that the conduct of the arbitrator(s), or the decision itself, violated the standards set forth in the Federal Arbitration Act or the Administrative Dispute Resolution Act. The final decision of the arbitrator must also be filed with FERC if it affects jurisdictional rates, terms and conditions of service, or Network Upgrade Facilities.

Costs.

Each Party shall be responsible for its own costs incurred during the arbitration process and for the following costs, if applicable: (1) the cost of the arbitrator chosen by the Party to sit on the three member panel; or (2) one-third the cost of the single arbitrator jointly chosen by the Parties.

Termination.

Notwithstanding the provisions of this Article 27, any Party may terminate this Agreement in accordance with its provisions or pursuant to an action at law or equity. The issue of whether such a termination is proper shall not be considered a Dispute hereunder.

ARTICLE 28. REPRESENTATIONS, WARRANTIES AND COVENANTS

General.

Each Party makes the following representations, warranties and covenants:

28.1.1 Good Standing.

Such Party is duly organized, validly existing and in good standing under the laws of the state in which it is organized, formed, or incorporated, as applicable; that it is qualified to do business in the state or states in which the Transmission Project and Network Upgrade Facilities owned by such Party, as applicable, are located; and that it has the corporate power and authority to own its properties, to carry on its business as now being conducted and to enter into this Agreement and carry out the transactions contemplated hereby and perform and carry out all covenants and obligations on its part to be performed under and pursuant to this Agreement.

SERVICE AGREEMENT NO. 2734

28.1.2 Authority.

Such Party has the right, power and authority to enter into this Agreement, to become a Party hereto and to perform its obligations hereunder. This Agreement is a legal, valid and binding obligation of such Party, enforceable against such Party in accordance with its terms, except as the enforceability thereof may be limited by applicable bankruptcy, insolvency, reorganization or other similar laws affecting creditors' rights generally and by general equitable principles (regardless of whether enforceability is sought in a proceeding in equity or at law).

28.1.3 No Conflict.

The execution, delivery and performance of this Agreement does not violate or conflict with the organizational or formation documents, or bylaws or operating agreement, of such Party, or any judgment, license, permit, order, material agreement or instrument applicable to or binding upon such Party or any of its assets.

28.1.4 Consent and Approval.

Such Party has sought or obtained, or, in accordance with this Agreement will seek or obtain, each consent, approval, authorization, order, or acceptance by any Governmental Authority in connection with the execution, delivery and performance of this Agreement, and it will provide to any Governmental Authority notice of any actions under this Agreement that are required by Applicable Laws and Regulations.

ARTICLE 29. MISCELLANEOUS

Binding Effect.

This Agreement and the rights and obligations hereof, shall be binding upon and shall inure to the benefit of the successors and permitted assigns of the Parties hereto.

Conflicts.

If there is a discrepancy or conflict between or among the terms and conditions of this cover agreement and the Appendices hereto, the terms and conditions of this cover agreement shall be given precedence over the Appendices, except as otherwise expressly agreed to in writing by the Parties. As permitted by the foregoing, the Parties expressly agree that the terms and conditions of the Appendices shall take precedence over the provisions of this cover agreement in case of a discrepancy or conflict between or among the terms and conditions of same.

Rules of Interpretation.

This Agreement, unless a clear contrary intention appears, shall be construed and interpreted as follows: (1) the singular number includes the plural number and vice versa; (2)

New York Independent System Operator, Inc. - NYISO Agreements - Service Agreements - TPIA among NYISO ConEd Transco for Dover PAR
reference to any person includes such person's successors and assigns but, in the case of a Party,
only if such successors and assigns are permitted by this Agreement, and reference to a person in

SERVICE AGREEMENT NO. 2734

a particular capacity excludes such person in any other capacity or individually; (3) reference to any agreement (including this Agreement), document, instrument or tariff means such agreement, document, instrument, or tariff as amended or modified and in effect from time to time in accordance with the terms thereof and, if applicable, the terms hereof; (4) reference to any Applicable Laws and Regulations means such Applicable Laws and Regulations as amended, modified, codified, or reenacted, in whole or in part, and in effect from time to time, including, if applicable, rules and regulations promulgated thereunder; (5) unless expressly stated otherwise, reference to any Article, Section or Appendix means such Article of this Agreement or such Appendix to this Agreement, or such Section to the Transmission Interconnection Procedures or such Appendix to the Transmission Interconnection Procedures, as the case may be; (6) “hereunder”, “hereof”, “herein”, “hereto” and words of similar import shall be deemed references to this Agreement as a whole and not to any particular Article or other provision hereof or thereof; (7) “including” (and with correlative meaning “include”) means including without limiting the generality of any description preceding such term; and (8) relative to the determination of any period of time, “from” means “from and including”, “to” means “to but excluding” and “through” means “through and including”.

Compliance.

Each Party shall perform its obligations under this Agreement in accordance with Applicable Laws and Regulations, Applicable Reliability Standards, the ISO OATT and Good Utility Practice. To the extent a Party is required or prevented or limited in taking any action by such regulations and standards, such Party shall not be deemed to be in Breach of this Agreement for its compliance therewith. When any Party becomes aware of such a situation, it shall notify the other Parties promptly so that the Parties can discuss the amendment to this Agreement that is appropriate under the circumstances.

Joint and Several Obligations.

Except as otherwise stated herein, the obligations of NYISO, Transmission Developer and Connecting Transmission Owner are several, and are neither joint nor joint and several.

Entire Agreement.

Except as described in Section 7 of Appendix C, this Agreement, including all Appendices and Schedules attached hereto, constitutes the entire agreement between the Parties with reference to the subject matter hereof, and supersedes all prior and contemporaneous understandings or agreements, oral or written, between the Parties with respect to the subject matter of this Agreement. Except as described in Section 7 of Appendix C, there are no other agreements, representations, warranties, or covenants which constitute any part of the consideration for, or any condition to, either Party’s compliance with its obligations under this Agreement.

No Third Party Beneficiaries.

This Agreement is not intended to and does not create rights, remedies, or benefits of any character whatsoever in favor of any persons, corporations, associations, or entities other than the

SERVICE AGREEMENT NO. 2734

Parties, and the obligations herein assumed are solely for the use and benefit of the Parties, their successors in interest and permitted their assigns.

Waiver.

The failure of a Party to this Agreement to insist, on any occasion, upon strict performance of any provision of this Agreement will not be considered a waiver of any obligation, right, or duty of, or imposed upon, such Party. Any waiver at any time by either Party of its rights with respect to this Agreement shall not be deemed a continuing waiver or a waiver with respect to any other failure to comply with any other obligation, right, duty of this Agreement. Termination or Default of this Agreement for any reason by the Transmission Developer shall not constitute a waiver of the Transmission Developer's legal rights to obtain Capacity Resource Interconnection Service and Energy Resource Interconnection Service from the NYISO and Connecting Transmission Owner in accordance with the provisions of the ISO OATT. Any waiver of this Agreement shall, if requested, be provided in writing.

Headings.

The descriptive headings of the various Articles of this Agreement have been inserted for convenience of reference only and are of no significance in the interpretation or construction of this Agreement.

Multiple Counterparts.

This Agreement may be executed in two or more counterparts, each of which is deemed an original but all constitute one and the same instrument.

Amendment.

The Parties may by mutual agreement amend this Agreement, by a written instrument duly executed by all three of the Parties.

Modification by the Parties.

The Parties may by mutual agreement amend the Appendices to this Agreement, by a written instrument duly executed by all three of the Parties. Such an amendment shall become effective and a part of this Agreement upon satisfaction of all Applicable Laws and Regulations.

Reservation of Rights.

NYISO and Connecting Transmission Owner shall have the right to make unilateral filings with FERC to modify this Agreement with respect to any rates, terms and conditions, charges, classifications of service, rule or regulation under section 205 or any other applicable provision of the Federal Power Act and FERC's rules and regulations thereunder, and Transmission Developer shall have the right to make a unilateral filing with FERC to modify this Agreement pursuant to section 206 or any other applicable provision of the Federal Power Act

New York Independent System Operator, Inc. - NYISO Agreements - Service Agreements - TPIA among NYISO ConEd Transco for Dover PAR and FERC's rules and regulations thereunder; provided that each Party shall have the right to protest any such filing by another Party and to participate fully in any proceeding before FERC

SERVICE AGREEMENT NO. 2734

in which such modifications may be considered. Nothing in this Agreement shall limit the rights of the Parties or of FERC under sections 205 or 206 of the Federal Power Act and FERC's rules and regulations thereunder, except to the extent that the Parties otherwise mutually agree as provided herein.

No Partnership.

This Agreement shall not be interpreted or construed to create an association, joint venture, agency relationship, or partnership among the Parties or to impose any partnership obligation or partnership liability upon any Party. No Party shall have any right, power or authority to enter into any agreement or undertaking for, or act on behalf of, or to act as or be an agent or representative of, or to otherwise bind, any other Party.

Other Transmission Rights.

Notwithstanding any other provision of this Agreement, nothing herein shall be construed as relinquishing or foreclosing any rights, including but not limited to firm transmission rights, capacity rights, or transmission congestion rights that the Transmission Developer shall be entitled to, now or in the future under any other agreement or tariff as a result of, or otherwise associated with, the transmission capacity, if any, created by the Transmission Project and Network Upgrade Facilities.

SERVICE AGREEMENT NO. 2734

IN WITNESS WHEREOF, the Parties have executed this Agreement in duplicate originals, each of which shall constitute and be an original effective Agreement between the Parties.

New York Independent System Operator, Inc.

By:

Name:

Title:

Date:

Consolidated Edison Company of New York, Inc.

By:

Name: Walter Alvarado

Title: Vice President of Systems and Transmission Operations

Date:

New York Transco, LLC

By:

Name: Victor Mullin

Title: President

Date:

By: _____

Name: Paul Haering

Title: Vice President of Capital Investment

Date: _____

SERVICE AGREEMENT NO. 2734

APPENDICES

Appendix A

Network Upgrade Facilities

Appendix B

Milestones

Appendix C

Interconnection Details

Appendix D

Security Arrangements Details

Appendix E-1

Initial Synchronization Date

Appendix E-2

In-Service Date

Appendix F

Addresses for Delivery of Notices and Billings

SERVICE AGREEMENT NO. 2734

APPENDIX A

NETWORK UPGRADE FACILITIES

I. Network Upgrade Facilities for Connecting Transmission Owner's Transmission System

The Transmission Project, which is described in Appendix C, will interconnect to the New York State Transmission System at existing transmission facilities owned and operated by the Connecting Transmission Owner, as shown in Figure A-1 in this Appendix A. A portion of the Transmission Project will interconnect with the Connecting Transmission Owner's Line 398 345 kV transmission line ("Line 398"). This portion of the Transmission Project is described in Section II of this Appendix A and shown in Figure C-2 in Appendix C to this Agreement. The Facilities Study identified the Network Upgrade Facilities that are described in Section III of this Appendix A that are required to reliably interconnect the Transmission Project with Line 398. The Transmission Developer's and Connecting Transmission Owner's responsibilities concerning these Network Upgrade Facilities are set forth in this Appendix A and are in accordance with the terms of this Agreement.

Pursuant to Section 22.10 of Attachment P to the NYISO OATT, the Connecting Transmission Owner and Transmission Developer entered into a Master Services Agreement (MSA) with Transaction Form 3 (TF #3), which addresses the engineering design of the Network Upgrade Facilities as identified in Section III.1 of this Appendix A. The procurement of the equipment will be performed by Transmission Developer with Connecting Transmission Owner's review and approval in accordance with this Agreement.

Portions of the Transmission Project will separately interconnect to other Connecting Transmission Owner's transmission facilities, which interconnection requires certain Network Upgrade Facilities at the Connecting Transmission Owner's Pleasant Valley 345 kV Substation and Transmission Developer's Knickerbocker Substation, along with relay testing at the Connecting Transmission Owner's Pleasant Valley 345 kV and Cricket Valley Substations. These Network Upgrade Facilities are detailed in the separate Transmission Project Interconnection Agreement among the NYISO, Connecting Transmission Owner, and Transmission Developer dated as of October 8, 2021 with Service Agreement No. 2654. Connecting Transmission Owner's and Transmission Developer's responsibilities concerning this separate interconnection and the related Network Upgrade Facilities are set forth in such other Transmission Project Interconnection Agreement.

II. Transmission Project Interconnecting with Connecting Transmission Owner's Line 398

As part of the Transmission Project described in Appendix C, Transmission Developer is constructing a phase angle regulator ("PAR") substation in the Town of Dover, Dutchess County, New York ("Dover PAR Substation"). The Dover PAR Substation is located less than

New York Independent System Operator, Inc. - NYISO Agreements - Service Agreements - TPIA among NYISO ConEd Transco for Dover PAR
one half mile south of Connecting Transmission Owner's right of way for Connecting
Transmission Owner's existing transmission Line 398 that runs between Connecting

A-1

SERVICE AGREEMENT NO. 2734

Transmission Owner's Cricket Valley Substation and the Long Mountain Substation (owned by Eversource) located in Milford, Connecticut.

The impacts of the Network Upgrade Facilities on the relay settings at the Long Mountain Substation are subject to a separate Facilities Study Report performed by ISO New England and Eversource. Transmission Developer shall be responsible for complying with ISO New England requirements to address any impacts identified at the Long Mountain Substation.

Transmission Developer will own and operate the Dover PAR Substation, the PARs at the Dover PAR Substation, and the line segment between the Dover PAR Substation and the Point of Interconnection ("POI")/Point of Change of Ownership ("PCO"), which are defined in Appendix C. The Dover PAR Substation is a greenfield site, air insulated substation ("AIS") arrangement and will operate at 345 kV nominal. The Dover PAR Substation will intercept the existing 345 kV circuit 398.

III. Network Upgrade Facilities on Connecting Transmission Owner's Transmission System Identified for the Transmission Project

1. Network Upgrade Facilities on Connecting Transmission Owner's Line 398

Transmission Developer will design, procure, construct, and install the Network Upgrade Facilities described in this Section III.1 of Appendix A in accordance with the requirements in Article 5.2 of this Agreement and the following requirements to the extent not inconsistent with the terms of this Agreement, the NYISO OATT, or ISO Procedures: Applicable Laws and Regulations, the New York State Public Service Commission ("NYPSC") Order Granting Certificate of Environmental Compatibility and Public Need, issued and effective, April 20, 2016 (the "Certificate"), and all follow up approvals by the NYPSC, including any approved Environmental Management and Construction Plan (the "EM&CP"), all approved modifications to the Certificate and/or the EM&CP, Connecting Transmission Owner's NERC/CIP risk management and/or compliance plans, and the applicable requirements and standards of the Connecting Transmission Owner provided in accordance with Section 6 of Appendix C. Transmission Developer's contractor performing this work shall be from the Connecting Transmission Owner's list of approved contractors.

Specifically, Transmission Developer will design, procure, construct, and install the following Network Upgrade Facilities:

A) Line 398 Structures:

- Remove existing lattice tower (L-61) and replace with new steel monopole;
- Install a new double circuit, steel monopole (#L61-1); and
- Reinforce existing H-Frame structures (#62).

B) Bifurcating and Reconductoring Line 398:

A-2

SERVICE AGREEMENT NO. 2734

- Reconductor segment between L-61 and L-61-1 to be redesignated Y-17;
- Install new segment between L-61-1 and the POI/PCO at the Dover PAR Substation (West), to be redesignated Y-17;
- Reconductor segment between L-62 and L-61-1;
- Install new segment between L-61-1 and the POI/PCO at the Dover PAR Substation (East);
- OPGW / ADSS fiber as required by final design; and
- Revenue grade metering associated with the PAR's when in service.

Transmission Developer will be responsible for performing the reconductoring and replacement of shield wire with optical ground wire ("OPGW") with 72 fibers of Line 398 identified above ("New York Line 398 Reconductoring"), which line segment will consist of twin-bundled 795 kcmil ACSS Mallard conductor and one (1) shield wires and one (1) OPGW with 72 fibers as necessary to connect the Dover PAR Substation.

2. Network Upgrade Facilities at Cricket Valley Substation - Relay Protection

Connecting Transmission Owner will design, procure, construct and install, as required, the Network Upgrade Facilities at the Cricket Valley Substation to accommodate the modification of the Line 398, which major equipment shall consist of the following:

- The existing SEL-411L (11L-1/398) shall be reused as first line current differential protection, utilizing OPGW and dark fiber for route 1 and route 2 communications respectively;
- The existing second line SEL-421 (11L-2/398) relay will be removed and replaced by a SEL-311L (11L-2/398**) current differential relay, utilizing fiber communication and OPGW for route 1 and route 2 communications respectively. An SEL field representative will be required to assist on site;

** feeder designation subject to change
- The existing SEL-487B (11B-2) shall be reused for second line bus differential protection;
- Splice the existing OPGW from Cricket Valley to Long Mountain at the newly proposed transmission tower "TAP-1" between Transmission Towers L-61 and L-62;
- Connect splices to new Dover PAR Substation, effectively creating 2 fiber paths - one from Cricket Valley to Dover PAR and one from Dover PAR to Long Mountain; and

A-3

-

SERVICE AGREEMENT NO. 2734

- Install one new line of single-mode, dark fiber between the Cricket Valley Substation and the Dover PAR Substation.

Connecting Transmission Owner shall perform all final acceptance inspections and testing at the Cricket Valley Substation.

IV. Interconnection to and Network Upgrade Facilities for Other Connecting Transmission Owners' Transmission Systems

A. Niagara Mohawk Power Corporation d/b/a National Grid

Portions of the Transmission Project will interconnect to the New York State Transmission System at existing transmission facilities owned and operated by National Grid, which is also a Connecting Transmission Owner for the Transmission Project. The Facilities Study identified certain Network Upgrade Facilities at National Grid's Schodack 115 kV Substation, Greenbush 115 kV Substation, Valkin 115 kV Substation, Hudson 115 kV Substation, New Scotland Substation and Alps Substation, along with upgrades at the Blue Stores 115 kV tap, Buckley Corners 115 kV tap, Fort Orange 115 kV tap, LaFarge 115 kV Tap, ADM Milling 115 kV tap, Hudson 115 kV tap, line 14N interconnection point, and Valkin 115 kV tap, which Network Upgrade Facilities are required to reliably interconnect the Transmission Project to National Grid's system. The Transmission Developer, National Grid, and the NYISO have entered into a separate Transmission Project Interconnection Agreement concerning the interconnection of the Transmission Project to National Grid's facilities and the construction or installation of the related Network Upgrade Facilities on National Grid's facilities.

B. New York State Electric & Gas Corporation

Portions of the Transmission Project will interconnect to the New York State Transmission System at existing transmission facilities owned and operated by New York State Electric & Gas Corporation ("NYSEG"), which is also a Connecting Transmission Owner for the Transmission Project. The draft NYSEG Facilities Study identified certain Network Upgrade Facilities at NYSEG's Fall Park 115 kV Substation, Craryville 115 kV Substation, Klinekill 115/34.5 kV Substation, and Coopers Corner 345 kV Substation that are required to reliably interconnect the Transmission Project to NYSEG's system. The Transmission Developer, NYSEG, and the NYISO have entered into a separate Transmission Project Interconnection Agreement concerning the interconnection of the Transmission Project to NYSEG's facilities and the construction or installation of the related Network Upgrade Facilities on NYSEG's facilities.

C. Central Hudson Gas & Electric Corporation

Portions of the Transmission Project will interconnect to the New York State Transmission System at existing transmission facilities owned and operated by Central Hudson Gas & Electric Corporation ("Central Hudson"), which is also a Connecting Transmission Owner for the Transmission Project. The Facilities Study identified certain Network Upgrade

SERVICE AGREEMENT NO. 2734

Substation that are required to reliably interconnect the Transmission Project to Central Hudson's system. The Transmission Developer, Central Hudson, and the NYISO have entered into a separate Transmission Project Interconnection Agreement concerning the interconnection of the Transmission Project to Central Hudson's facilities and the construction or installation of the related Network Upgrade Facilities on Central Hudson's facilities.

D. Orange and Rockland Utilities, Inc.

Portions of the Transmission Project will interconnect to the New York State Transmission System at existing transmission facilities owned and operated by Orange and Rockland Utilities, Inc. ("O&R"), which is also a Connecting Transmission Owner for the Transmission Project. The Facilities Study identified certain Network Upgrade Facilities at O&R's Sugarloaf 138 kV Substation that are required to reliably interconnect the Transmission Project to O&R's system. The Transmission Developer, O&R, and the NYISO have entered into a separate Transmission Project Interconnection Agreement concerning the interconnection of the Transmission Project to O&R's facilities and the construction or installation of the related Network Upgrade Facilities on O&R's facilities.

V. Affected System Upgrade Facilities

The Transmission Interconnection Studies for the Transmission Project identified New York Power Authority ("NYPA"), Castleton Power, LLC (for the Fort Orange Substation), Holcim (US) Inc. (for the LaFarge Substation), and ADM Milling Co. (for the ADM Milling Substation) as Affected System Operators, which systems are impacted by the Transmission Project. The Facilities Studies conducted for the Transmission Project identified certain Network Upgrade Facilities required for these Affected Systems.

A. NYPA

The Transmission Interconnection Studies for the Transmission Project identified that certain Network Upgrade Facilities at NYPA's Dolson Ave. 345 kV Substation are required in connection with the Transmission Project. This work will be performed in accordance with the terms of an engineering, procurement, and construction agreement by and among the NYISO, Transmission Developer, and NYPA. However, the NYISO reviewed a non-material determination of Transmission Developer and determined that certain feeder re-ratings would not result in any Network Upgrade Facilities at the NYPA substations, other than a relay setting evaluation.

B. Fort Orange Substation

The Transmission Interconnection Studies for the Transmission Project identified that modifications to the relay settings at the Fort Orange Substation are required in connection with the Transmission Project. The relay resetting and drawing updates will be performed for the Fort Orange Substation to reflect the new Line 14N Tap location in accordance with the terms of an

New York Independent System Operator, Inc. - NYISO Agreements - Service Agreements - TPIA among NYISO ConEd Transco for Dover PAR engineering, procurement, and construction agreement by and among the Transmission Developer, Castleton Power, LLC, and the NYISO.

A-5

SERVICE AGREEMENT NO. 2734

C. LaFarge Substation

The Transmission Interconnection Studies for the Transmission Project identified that certain Network Upgrade Facilities at the LaFarge Substation are required in connection with the Transmission Project. This work including, but not limited to, relay resetting, and drawing updates will be performed for the LaFarge Substation to reflect the new Line 8 Tap location in accordance with the terms of an engineering, procurement, and construction agreement by and among the Transmission Developer, LaFarge, and the NYISO.

D. ADM Milling

The Transmission Interconnection Studies for the Transmission Project identified that certain Network Upgrade Facilities at the ADM Milling Substation are required in connection with the Transmission Project. This work will be performed in accordance with the terms of an engineering, procurement, and construction agreement by and among the NYISO, Transmission Developer, and ADM Milling. The work will include performance of calculations for the resetting of relays, and the update to drawings to reflect the new line nomenclature.

VI. Work Responsibilities.

Transmission Developer shall design, procure, construct, and install the Network Upgrade Facilities for which it is responsible as specified in Section III.1 of this Appendix A. Transmission Developer will also complete testing and commissioning for the Dover PAR Substation equipment and for the segment of conductor up to and including the POI /PCO.

Connecting Transmission Owner shall design, procure, construct, and install the Network Upgrade Facilities for which it is responsible as specified in Section III.2 of this Appendix A. Connecting Transmission Owner shall also provide electrical isolation on 345kV feeder #398 to allow all work to safety proceed (isolation/grounds, wiring) for all work associated with Connecting Transmission Owner’s equipment. In addition, Connecting Transmission Owner’s System Operations Department shall coordinate with NYISO and Eversource and other transmission operators, as may be necessary, to provide required isolation/protection at remote ends. Connecting Transmission Owner will also complete pre-in-service testing and commissioning for the NUFs that are to be transferred to the Connecting Transmission Owner, and for the relays that may require resetting.

VII. Cost Estimates

| Description | Estimated Cost |
|----------------------------|------------------------|
| Network Upgrade Facilities | \$13,550,000.00 |
| Total | \$13.550,000.00 |

The following labor and material are **excluded** from the Facility Study cost estimates:

A-6

| | |
|--|--|
| | |
| | |
| | |

SERVICE AGREEMENT NO. 2734

1. All environmental costs associated with the Transmission Developer's Transmission Project, including but not limited to any environmental remediation and environmental cleanup.
2. All costs associated with subsurface conditions.
3. Cost for tower stringing by Transmission Developer.
4. Any and all work inside the fence line of the Dover PAR Substation.
5. Permitting required for installation and/or replacement of new transmission towers.

Connecting Transmission Owner's Cost Estimate Assumptions

1. Connecting Transmission Owner will remain the transmission owner for the entire length of Feeder 398, excluding the portion within the fence line of Dover PAR Substation.
2. Transmission Developer will be the transmission owner of Dover PAR Substation.
3. Interconnection into Dover PAR Substation will not impact the existing established Feeder 398 ratings (normal, STE and LTE) and reliability criteria.
4. Costs to clear approximately 2.29 moderately wooded acres from the right-of-way for Feeder 398 to the fence line of Dover PAR Substation are included.
5. New right-of-way grading costs are included.
6. New access roads for new tower installations are included.
7. Relay protection man hours are based on the original relay installation work at the Cricket Valley Substation and recent relay upgrade projects of similar nature.
8. New transmission tower are based on preliminary concept designs by Power Engineers dated Jan. 25, 2021. Costs are based on recent installations during the construction of the Cricket Valley Substation.
9. Transmission tower costs include grounding.
10. Transmission tower costs include construction of a work pad for future maintenance work.
11. Transmission tower costs include foundations, based on Connecting Transmission Owner's standards.
12. Contractor rates are based on prevailing wage rates for trades in Dutchess County.

13. Connecting Transmission Owner's rates are based on the 2020 Accommodation Billing Rates Schedule are subject to change.

A-7

SERVICE AGREEMENT NO. 2734

- 14. Contractor Oversight Project Management and Inspection (“PM&I”) is based on 15% of total contract man hours.
- 15. Two full time Substation Operators are included for the duration of the project to handle work permits, site access and ops support.

IX. Security

Pursuant to Article 11.4 of this Agreement, Transmission Developer will provide Connecting Transmission Owner with Security, in the form of a Letter of Credit, in the amount of \$13,550,000.00, which reflects the estimated costs for the Network Upgrade Facilities.

| Description | Estimated Cost |
|---|------------------------|
| <i>Network Upgrade Facilities per Facility Study Report</i> | \$13,550,000.00 |
| Required Security Deposit to be Posted | \$13,550,000.00 |

Figure A-1 Post Project Diagram

[CONTAINS CEII - THIS PAGE REMOVED FROM PUBLIC VERSION]

A-8

| | |
|--|--|
| | |
| | |
| | |

SERVICE AGREEMENT NO. 2734

APPENDIX B

1. Milestones

The following milestones shall apply to the engineering, procurement, and construction activities related to the interconnection of the Transmission Project. With the exception of the In-Service Dates and Commercial Operation Date, the timeframes projected for the milestones are non-binding estimates; *provided, however*, that pursuant to Article 5.1 of the Agreement, the Transmission Developer and the Connecting Transmission Owner shall each use Reasonable Efforts to complete the Network Upgrade Facilities for which it has construction responsibility by the dates set forth such milestones. The In-Service Dates and Commercial Operations Date can only be extended in accordance with the requirements set forth in the NYISO OATT. The actual dates for completion of the milestones are highly dependent upon system reliability, lead times for the procurement of equipment and material, release of engineering packages by the Transmission Developer and approval of the “issued for construction” packages by Connecting Transmission Owner, the availability of labor, approved outage scheduling, receipt of regulatory approvals, and the results of equipment testing.

MILESTONES

| Milestone | Date | Responsible Party |
|---|--|---|
| 1. Award order for Procurement of the Phase Angle Regulator | Completed | Transmission Developer |
| 2. Start engineering of Dover PAR Substation and Transmission Line to ROW | Completed | Transmission Developer |
| 3. Execute Interconnection Agreement | November 2022 | Connecting Transmission Owner/Transmission Developer/ NYISO |
| 4. Post Security Deposit | Simultaneously with execution of Interconnection Agreement | Transmission Developer |
| 5. Complete engineering for Transmission Project principal components * | Completed | Transmission Developer |

B-1

SERVICE AGREEMENT NO. 2734

| | Milestone | Date | Responsible Party |
|-----|--|---------------|--|
| 6. | Complete 60% Transmission Line design for submittal | Completed | Transmission Developer |
| 7. | Complete 90% Transmission Line design for submittal | November 2022 | Transmission Developer |
| 8. | Complete 60% Design Package - Relay Upgrades | January 2023 | Connecting Transmission Owner |
| 9. | Complete Issued for Construction Transmission Line submittal | January 2023 | Transmission Developer |
| 10. | Commence substation and transmission line site prep | January 2023 | Transmission Developer |
| 11. | Complete Issued for Construction Primary design Substation submittal | March 2023 | Transmission Developer |
| 12. | Mobilize crews for the substation build | March 2023 | Transmission Developer |
| 13. | Commence testing and commissioning | October 2023 | Connecting Transmission Owner/ Transmission Developer |
| 14. | Complete 90% Design Package - Relay Upgrades | April 2023 | Connecting Transmission Owner |
| 15. | Complete Issue for Construction Package - Relays Protection | May 2023 | Connecting Transmission Owner |
| 16. | Complete construction of Network Upgrade Facilities as defined in Appendix A Section III | November 2023 | Transmission Developer |
| 17. | Complete any required relay resetting as defined in Appendix A | November 2023 | Connecting Transmission Owner |

| | | B-2 | |
|--|--|-----|--|
| | | | |
| | | | |
| | | | |
| | | | |
| | | | |
| | | | |
| | | | |
| | | | |
| | | | |
| | | | |
| | | | |
| | | | |
| | | | |
| | | | |
| | | | |
| | | | |

SERVICE AGREEMENT NO. 2734

| | Milestone | Date | Responsible Party |
|-----|------------------------------------|---------------|---|
| 18. | Complete testing and commissioning | December 2023 | Connecting Transmission Owner/ Transmission Developer |
| 19. | Dover In-Service Date | December 2023 | Connecting Transmission Owner/Transmission Developer |
| 20. | Completion of As Builts | December 2024 | Connecting Transmission Owner/Transmission Developer |
| 21. | Project closeout completed | March 2025 | Connecting Transmission Owner |
| 22. | Final invoicing | July 2025 | Connecting Transmission Owner |

2. Prepayment for Work Performed by Connecting Transmission Owner

Included within the total cost estimates provided in Section VII of Appendix A are the cost estimates for the Connecting Transmission Owner’s engineering, procurement, construction, and associated services related to the Network Upgrades Facilities described in Section III of Appendix A.

As required by Transaction Form #3, Transmission Developer has already paid to Connecting Transmission Owner a deposit in the amount of two hundred fifty thousand dollars (\$250,000.00). This amount is held by Connecting Transmission Owner in immediately available funds in an account established by Connecting Transmission Owner in accordance with its internal procedures (the “Engineering Disbursement Account”). The funds in the Engineering Disbursement Account have been and shall continue to be drawn upon by Connecting Transmission Owner to pay Connecting Transmission Owner for its performance of the engineering services identified in Transaction Form #3 in accordance with the terms of that form.

The Connecting Transmission Owner’s procurement and construction services pursuant to Section III of Appendix A to this Agreement and the related charges and costs under this Agreement shall be treated in a similar fashion as the engineering services and will be compensated through a separate disbursement account as set forth below.

B-3

SERVICE AGREEMENT NO. 2734

The price for the services described in Section III of Appendix A shall be based on the applicable hourly rates and other charges and costs set forth in the document entitled *Consolidated Edison Company of New York, Inc. 2022 Accommodation Billing Rates* (“2022 Accommodation Billing Schedule”). Transmission Developer acknowledges and agrees that the rates, charges, and costs set forth in the 2022 Accommodation Billing Schedule are subject to periodic revision by Connecting Transmission Owner upon written notice to Transmission Developer and that, after the date of the notice, the revised rates, charges, and costs referenced in the notice shall be applicable to the provided services. The rates, charges, and costs set forth in the 2022 Accommodation Billing Schedule, and any successor billing schedule, do not include any charge or fee for any governmental or non-governmental permits, authorization, consents or approvals that may be required in connection with the provided services. Transmission Developer agrees to pay any such charges and fees and to reimburse Connecting Transmission Owner for any such charges and fees that Connecting Transmission Owner is required to pay.

Transmission Developer will be required to provide to Connecting Transmission Owner a deposit for Connecting Transmission Owner’s services under this Agreement in the amount of two hundred fifty thousand dollars (\$250,000.00) to be held by Connecting Transmission Owner in immediately available funds in an account established by Connecting Transmission Owner in accordance with its internal procedures (the “IA Disbursement Account”).

Connecting Transmission Owner shall issue invoices monthly and shall describe the period covered by the invoice, the hours of services furnished during such period, and the applicable hourly rates and reimbursable charges and costs. For purposes of the provided services described in Section III of Appendix A, Connecting Transmission Owner is authorized to withdraw the amount of each such invoice from the IA Disbursement Account as payment for such invoice. If, at any time, the balance in the IA Disbursement Account falls below one hundred thousand dollars (\$100,000.00) or is insufficient to cover the amount of any invoice, Transmission Developer shall replenish the IA Disbursement Account within five (5) Calendar Days of receiving notice thereof by the payment of an additional amount equal to the greater of (i) one hundred thousand dollars (\$100,000.00) and (ii) the amount of any such insufficiency plus an additional one hundred thousand dollars (\$100,000.00).

Following the completion of the provided services, Connecting Transmission Owner shall issue a final statement (the “Final Statement”) pursuant to Article 12.2 of this Agreement to Transmission Developer showing the payments made by Transmission Developer concerning the provided services and the amount of the invoices applied against the aggregate amount of such payments. In the event that the balance of the IA Disbursement Account remaining after application of all prior invoices is not sufficient to cover the amount of any outstanding invoice, Transmission Developer shall, within thirty (30) Calendar Days of receipt of notice from the Connecting Transmission Owner, pay the Connecting Transmission Owner the amount of such insufficiency. To the extent that such remaining balance of the escrow fund exceeds the amount necessary to cover all invoices payable to the Connecting Transmission Owner for purposes of the provided services performed in accordance with Section III of Appendix A, Connecting

New York Independent System Operator, Inc. - NYISO Agreements - Service Agreements - TPIA among NYISO ConEd Transco for Dover PAR
Transmission Owner shall, within thirty (30) Calendar Days of issuing the Final Statement to
Transmission Developer, pay Transmission Developer the amount of such balance.

B-4

SERVICE AGREEMENT NO. 2734

APPENDIX C

INTERCONNECTION DETAILS

1. Description of the Transmission Project

The Transmission Project Q543 - the New York Energy Solution Project - was submitted by the Transmission Developer and National Grid and evaluated in the NYISO's Public Policy Transmission Planning Process to address Segment B of the AC Transmission Needs identified by the New York Public Service Commission in its December 17, 2015 order in its Case No. 12-T-0502. The NYISO Board of Directors selected the Transmission Project as the more efficient and cost-effective transmission solution to Segment B of the AC Transmission Needs on April 8, 2019. Transmission Developer and National Grid entered into the Development Agreement with the NYISO for purposes of constructing the Transmission Project and placing it in-service to satisfy the Public Policy Transmission Need. National Grid subsequently assigned its rights, duties, and obligations under the Development Agreement to Transmission Developer on March 10, 2020, giving Transmission Developer sole rights to the development of the Transmission Project. The Transmission Developer will develop the Transmission Project in accordance with the terms of the Development Agreement.

The Transmission Project will be mainly located in three counties (Rensselaer, Columbia and Dutchess) in the northern and mid-Hudson Valley, New York and includes the following new facilities that will be constructed, owned, and operated by the Transmission Developer:

- A new 345 kV/115 kV double-circuit transmission line from a new Knickerbocker switching station to the existing Pleasant Valley substation, and the rebuild of approximately 2.1 miles of the 115 kV Blue Stores Tap;
- A new 345 kV Knickerbocker switching station at the proposed, greenfield site in Schodack, New York, which will house a bypassable two step 16.67%, 33.33%, and 50% series compensator for the new 345 kV Knickerbocker to Pleasant Valley transmission line;
- Rebuild of the existing NYSEG Churchtown 115 kV switching station in Claverack, New York, which will require decommissioning of the existing facility;
- Originally, the replacement of certain limiting element terminal equipment at the 345 kV Roseton substation to increase the thermal rating of Roseton to East Fishkill 345 kV transmission line #305 and the 345 kV New Scotland substation to increase the thermal ratings on the New Scotland to Knickerbocker 345 kV transmission line #2A was identified. However, a Non-Material Determination request was approved by the NYISO which eliminated this work; and
- Two new 135 MVAR 345 kV capacitor banks installed at the new Van Wagner Substation, which will intercept the existing 91 and 92 feeders. These existing feeder segments between Van Wagner and the existing Pleasant Valley Substations will be

C-1

SERVICE AGREEMENT NO. 2734

reconductored and redesignated as Y58 and Y59. The reconductored feeder segments Y58 and Y59 will utilize the same take off structures as did previous feeders 91 and 92.

The Transmission Project includes additional upgrades to existing transmission facilities as identified by the NYPSC in its December 17, 2015 order identifying the AC Transmission Public Policy Transmission Needs.

- Terminal upgrades of certain limiting elements to the Rock Tavern 345 kV substation and Coopers Corners substation;
- Note these originally identified upgrades to the Dolson Ave Station, NYPA East and West Transition Stations, Rock Tavern 345kV, Roseton 345kV and Coopers Corners Substations have been modified, which modifications the NYISO determined were not material. This portion of the Transmission Project now involves a limited scope of NUFs as compared to the original scope of work. These NUFs and modifications will be/ are addressed in each of the Connecting Transmission Owner's Transmission Project Interconnection Agreements or EPC Agreements;
- Upgrades to the Shoemaker to Sugarloaf 138 kV facilities. These originally identified upgrades to the Shoemaker to Sugarloaf 138kV facilities have been modified, which modifications the NYISO determined were not material. This portion of the Transmission Project now involves certain modifications to the Central Hudson 115 kV Rock Tavern Substation connecting to the Orange & Rockland 138 kV Sugarloaf Substation. These modifications will be addressed in each of the Connecting Transmission Owner's interconnection agreements; and
- Dover PAR Substation as described in Section II of Appendix A.

Additional details concerning the Transmission Project are set forth in Appendices A and B of the Development Agreement.

2. Description of the Points of Interconnection and Points of Change of Ownership

The Points of Interconnection ("POI") and Points of Change in Ownership ("PCO") are identified in the table below and are also shown in the POI one line diagrams that follow. The POI and PCO are the same location since the Transmission Project will not require any

C-2

SERVICE AGREEMENT NO. 2734

Connecting Transmission Owner’s Attachment Facilities, as the transfer of ownership of the feeders occurs at the tower insulator hardware. The POI/PCO locations are:

| Transmission Line | Line # Designation | Structure Number where POI/PCO Is Located | Structure Description where POI/PCO Is Located | Description of Change in Ownership |
|--|---------------------------|--|---|---|
| Connecting Transmission Owner to Transmission Developer Transition | 398 and Y17 | L61-2 (see note in Figure C-1 below) | Double circuit Dead-end Tower | <p>Transmission Developer ownership will include a portion of the Y17 and 398 conductors within the Dover PAR Substation, new take off structure, Insulators, and hardware.</p> <p>Connecting Transmission Owner will continue to own the Y17 (the segment between the POI/PCO and the Cricket Valley Substation), and the 398 (the segment between the POI /PCO and the NY - CT state border) feeders and structures in the right of way.</p> <p>Connecting Transmission Owner will own the OPGW / ADSS to the Control Enclosure Patch Panel associated with both the 398 (to the NY - CY state border) and Y17 (the segment to Cricket Valley Substation) line segments</p> |

C-3

SERVICE AGREEMENT NO. 2734

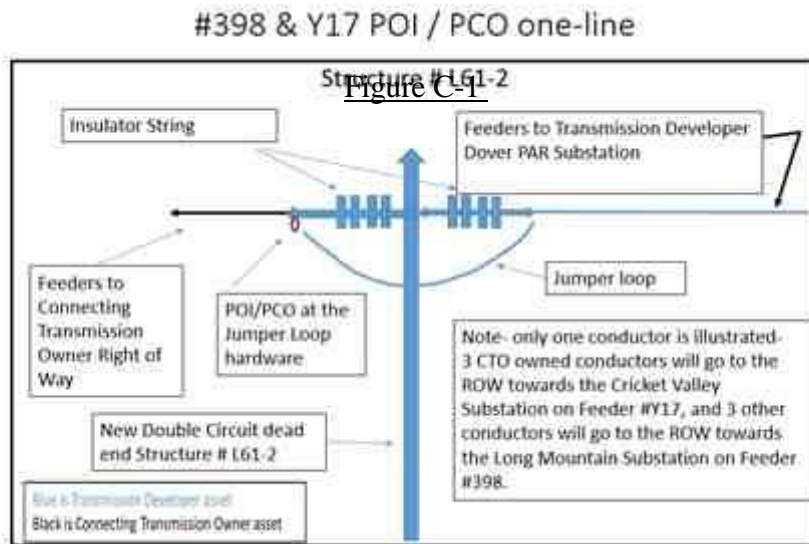


Figure C-2

[CONTAINS CEII - THIS PAGE REMOVED FROM PUBLIC VERSION]

3. Ownership/Control/Maintenance Responsibilities of Network Upgrade Facilities

Connecting Transmission Owner and Transmission Developer shall each design, procure, construct, and install the Network Upgrade Facilities as specified in Section III of Appendix A to this Agreement. Connecting Transmission Owner shall have physical ownership and control of the Network Upgrade Facilities. Transmission Developer shall retain financial ownership of the Network Upgrade Facilities to Connecting Transmission Owner and recover the costs associated with the Network Upgrade Facilities in accordance with Transmission Developer’s FERC-approved formula rate under the NYISO OATT.

4. Transmission Developer Operating Requirements

Transmission Developer must comply with all applicable NYISO tariffs and procedures, as amended from time to time.

5. Special Protection Facilities

For purposes of Section 9.4.3 of this Agreement, the Connecting Transmission Owner does not permit the installation of any special protection facilities on its transmission system.

6. Connecting Transmission Owner’s Specifications.

C-4

SERVICE AGREEMENT NO. 2734

Within 10 days of FERC's acceptance of this Agreement, Connecting Transmission Owner shall provide Transmission Developer all relevant standards and specifications that must be complied with by Transmission Developer in the design, engineering, procurement and/or construction of the Network Upgrade Facilities. Revisions to such specifications and standards that occur after the 30% design packages have been reviewed and approved by the Connecting Transmission Owner will not be imposed on the Network Upgrade Facilities to avoid the need for any redesigns. In the event that a Party becomes aware that a safety standard, regulatory requirement, and/or industry standard has been modified that could affect the safe or reliable operations of the NUF, the Party shall notify the other Parties promptly, so that the Parties can mutually agree upon an amendment, if needed, of this Agreement.

7. Additional Agreements

(1) The Transmission Developer and the Connecting Transmission Owner will enter into: (i) a Security Agreement described in subsection 7(2), (ii) agreements concerning the use and occupancy of Connecting Transmission Owner's real property described in subsection 7(3) below, and (iii) a remote operations agreement described in subsection 7(5) (the "Additional Agreements"). Except as otherwise described below, it is the belief and intention of the Transmission Developer and the Connecting Transmission Owner that nothing in the Additional Agreements conflict in any material way with this Agreement. If the Connecting Transmission Owner or Transmission Developer becomes aware of a conflict, such party shall notify the other party promptly so that the Connecting Transmission Owner and Transmission Developer can mutually agree upon an amendment, if needed, of such Additional Agreement. The NYISO is not a party to, has no responsibility under, and shall have no liability in connection with these Additional Agreements or the Master Services Agreement and transaction forms described in subsection 7(4) below.

(2) **Security Agreement:** The Transmission Developer and the Connecting Transmission Owner will enter into a Security Agreement, as described in Article 11.4 of this Agreement.

(3) **Other Agreements Concerning the Use and Occupancy of Connecting Transmission Owner's Real Property:** Prior to any access by Transmission Developer or its subcontractors onto the real property of Connecting Transmission Owner for the purposes provided for in this Agreement, including any construction-related activity, Transmission Developer and the Connecting Transmission Owner have entered or will enter into one or more agreements acceptable to the Connecting Transmission Owner in its sole discretion, to provide Transmission Developer access for the use and occupancy of Connecting Transmission Owner's real property ("U&O Agreements"). The U&O Agreements shall exclusively govern the rights and obligations of Connecting Transmission Owner and Transmission Developer arising out of the use of occupancy of the real property described therein, including, but not limited to, Transmission Developer's environmental obligations and indemnity to the Connecting Transmission Owner for Hazardous Substances; *provided, however,* that the U&O Agreements do not and shall not be construed to limit Connecting

New York Independent System Operator, Inc. - NYISO Agreements - Service Agreements - TPIA among NYISO ConEd Transco for Dover PAR
Transmission Owner's or Transmission Developer's responsibilities, as applicable, under this
Agreement to satisfy applicable Environmental Laws, to provide notification concerning

C-5

SERVICE AGREEMENT NO. 2734

environmental releases pursuant to Article 23 of this Agreement, and to indemnify the NYISO pursuant to Article 18.1 in connection with the violation of any Environmental Law or the release of any Hazardous Substance. As of the date of this Agreement, the following U&O Agreements are in effect:

- (a) License Agreement, dated as of March 16, 2022, between Transmission Developer and Connecting Transmission Owner

(4) Transaction Forms: As described in Section I of Appendix A, the Connecting Transmission Owner and Transmission Developer entered into a Master Services Agreement (“MSA”) with Transaction Form 3 (“TF3”) to provide support services which enabled the Transmission Developer to commence engineering activities related to Network Upgrade Facilities prior to the Effective Date of this Agreement. For any engineering design work addressed in TF3 that the Connecting Transmission Owner or Transmission Developer has commenced prior to the Effective Date of the Agreement, the Connecting Transmission Owner or Transmission Developer, as applicable, will continue and complete such work in accordance with the terms specified in the MSA and TF3. For any engineering design work not addressed in TF3 or not commenced as of the Effective Date of this Agreement, the Connecting Transmission Owner or Transmission Developer, as applicable, shall perform such work in accordance with the terms of this Agreement.

(5) Remote Operations Agreement: Connecting Transmission Owner and Transmission Developer have negotiated an agreement to define the roles, responsibilities, and scope related to Connecting Transmission Owner’s performance of certain remote operations and metering responsibilities, which agreement shall not be inconsistent with the terms of this Agreement or the NYISO OATT. This agreement has not been finalized as of the execution of this Agreement, and is incorporated as an applicable agreement.

8. Metering

The metering for the existing Line #398 is currently located at Connecting Transmission Owner’s Cricket Valley Substation, and the Connecting Transmission Owner is the Metering Authority. With the inclusion of the Dover PAR Substation on Line #398, Connecting Transmission Owner: (i) will retain the existing revenue metering at the Cricket Valley Substation for whenever the PARs are bypassed (out of service) and (ii) will use the new, to be installed revenue meters at the Dover PAR Substation described in Section III.1 of Appendix A whenever the PARs are in-service. The new revenue meter will be on the NYISO list of approved meters.

Connecting Transmission Owner will remain the Metering Authority for either configuration with the PARs in service or bypassed. Connecting Transmission Owner shall be responsible for maintaining and troubleshooting daily communication with the revenue meter(s). Transmission Developer shall provide access to Metering Equipment located within the Dover

New York Independent System Operator, Inc. - NYISO Agreements - Service Agreements - TPIA among NYISO ConEd Transco for Dover PAR
PAR Substation to Connecting Transmission Owner's metering technician for troubleshooting.
Transmission Developer shall not block, cover, or modify the area surrounding the Connecting

C-6

SERVICE AGREEMENT NO. 2734

Transmission Owner's revenue meter located within the Dover PAR Substation. When metering communication depends on the communication media of the Transmission Developer, the Transmission Developer shall prioritize the re-establishment of such communication to the Connecting Transmission Owner's Metering Authority.

C-7

SERVICE AGREEMENT NO. 2734

APPENDIX D

SECURITY ARRANGEMENTS DETAILS

Infrastructure security of New York State Transmission System equipment and operations and control hardware and software is essential to ensure day-to-day New York State Transmission System reliability and operational security. The Commission will expect the NYISO, all Transmission Owners, all Transmission Developers and all other Market Participants to comply with the recommendations offered by the President's Critical Infrastructure Protection Board and, eventually, best practice recommendations from the electric reliability authority. All public utilities will be expected to meet basic standards for system infrastructure and operational security, including physical, operational, and cyber-security practices.

D-1

SERVICE AGREEMENT NO. 2734

APPENDIX E-1

INITIAL SYNCHRONIZATION DATE

[Date]

New York Independent System Operator, Inc.
Attn: Vice President, Operations
10 Krey Boulevard
Rensselaer, NY 12144

Consolidated Edison Company of New York, Inc.
Attn: Walter Alvarado
Vice President, System and Transmission Operations
4 Irving Place
New York, NY 10004
Phone: (212-460-1210)
Email: alvaradow@coned.com

New York Transco, LLC.
Attn: Paul Haering
Vice President Capital Investments
One Hudson City Center
Hudson, NY 12534
Phone: (518) 444-4880
Email: paul.haering@nytransco.com

Re: **[Transmission Project/Network Upgrade Facilities]**

Dear _____ :

On **[Date]** **[Transmission Developer/Connecting Transmission Owner]** initially synchronized the **[describe Transmission Project/Network Upgrade Facilities]**. This letter confirms **[Transmission Developer/Connecting Transmission Owner]**'s Initial Synchronization Date was **[specify]**.

Thank you.

[Signature]

E-1

SERVICE AGREEMENT NO. 2734

APPENDIX E-2

IN-SERVICE DATE

[Date]

New York Independent System Operator, Inc.
Attn: Vice President, Operations
10 Krey Boulevard
Rensselaer, NY 12144

Consolidated Edison Company of New York, Inc.
Attn: Walter Alvarado
Vice President, System and Transmission Operations
4 Irving Place
New York, NY 10004
Phone: (212-460-1210)
Email: alvaradow@coned.com

New York Transco, LLC.
Attn: Paul Haering
Vice President Capital Investments
One Hudson City Center
Hudson, NY 12534
Phone: (518) 444-4880
Email: paul.haering@nytransco.com

Re: _____ **[Transmission Project/Network Upgrade Facilities]**

Dear _____:

On **[Date]** **[Transmission Developer/Connecting Transmission Owner]** has completed Trial Operation of **[describe Transmission Project/Network Upgrade Facilities]**. This letter confirms that **[describe Transmission Project/Network Upgrade Facilities]** **[has/have]** commenced service, effective as of **[Date plus one day]**.

Thank you.

[Signature]

[Transmission Developer/Connecting Transmission Owner Representative]

E-2

SERVICE AGREEMENT NO. 2734

APPENDIX F

ADDRESSES FOR DELIVERY OF NOTICES AND BILLINGS

Notices:

NYISO:

Before commercial operation of the Transmission Project:

New York Independent System Operator, Inc.
Attn: Vice President, System and Resource Planning
10 Krey Boulevard
Rensselaer, NY 12144
Phone: (518) 356-6000
Fax: (518) 356-6118

After commercial operation of the Transmission Project:

New York Independent System Operator, Inc.
Attn: Vice President, Operations
10 Krey Boulevard
Rensselaer, NY 12144
Phone: (518) 356-6000
Fax: (518) 356-6118

Connecting Transmission Owner:

Consolidated Edison Company of New York, Inc.
Attn: Walter Alvarado
Vice President, System and Transmission Operations
4 Irving Place
New York, NY 10004
Phone: (212-460-1210)
Email: alvaradow@coned.com

Transmission Developer:

New York Transco, LLC
Attn: Paul Haering
Vice President Capital Investments
One Hudson City Center
Hudson, NY 12534
Phone: (518) 444-4880
Email: paul.haering@nytransco.com

F-1

SERVICE AGREEMENT NO. 2734

Billings and Payments:

Connecting Transmission Owner:

Consolidated Edison Company of New York, Inc.
Attn: Walter Alvarado
Vice President, System and Transmission Operations
4 Irving Place
New York, NY 10004
Phone: (212-460-1210)
Email: alvaradow@coned.com

Transmission Developer:

New York Transco, LLC
One Hudson City Center
Hudson, NY 12534
Attn: Vice President, Capital Investments
Phone: (518) 444-4880
Email: paul.haering@nytransco.com

Alternative Forms of Delivery of Notices (telephone, facsimile or email):

NYISO:

Before commercial operation of the Transmission Project:

New York Independent System Operator, Inc.
Attn: Vice President, System and Resource Planning
10 Krey Boulevard
Rensselaer, NY 12144
Phone: (518) 356-6000
Fax: (518) 356-6118
E-mail: interconnectionsupport@nyiso.com

After commercial operation of the Transmission Project:

New York Independent System Operator, Inc.
Attn: Vice President, Operations
10 Krey Boulevard
Rensselaer, NY 12144
Phone: (518) 356-6000
Fax: (518) 356-6118
E-mail: interconnectionsupport@nyiso.com

F-2

SERVICE AGREEMENT NO. 2734

Connecting Transmission Owner:

Consolidated Edison Company of New York, Inc.
Attn: Walter Alvarado
Vice President, System and Transmission Operations
4 Irving Place
New York, NY 10004
Phone: (212-460-1210)
Email: alvaradow@coned.com

Transmission Developer:

New York Transco, LLC
One Hudson City Center
Hudson, NY 12534
Attn: Vice President, Capital Investments
Phone: (518) 444-4880
Email: paul.haering@nytransco.com

F-3